




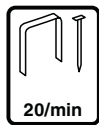
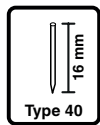
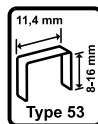
GB	ORIGINAL INSTRUCTIONS	8	GR	ΠΡΩΤΟΤΥΠΟ ΟΔΗΓΙΩΝ ΧΡΗΣΗΣ	52
F	NOTICE ORIGINALE	10	RO	INSTRUCȚIUNI DE FOLOSIRE ORIGINALE	55
D	ORIGINALBETRIEBSANLEITUNG	13	BG	ОРИГИНАЛНО РЪКОВОДСТВО ЗА ЕКСПЛОАТАЦИЯ	58
NL	ORIGINELE GEBRUIKSAANWIJZING	16	SK	PŮVODNÝ NÁVOD NA POUŽITIE	61
S	BRUKSANVISNING I ORIGINAL	19	HR	ORIGINALNE UPUTE ZA RAD	64
DK	ORIGINAL BRUGSANVISNING	21	SRB	ORIGINALNO UPUTSTVO ZA RAD	66
N	ORIGINAL BRUKSANVISNING	24	SLO	IZVIRNA NAVODILA	69
FIN	ALKUPERÄISET OHJEET	26	EST	ALGUPÄRANE KASUTUSJUHEND	71
E	MANUAL ORIGINAL	29	LV	ORIĢINĀLĀ LIETOŠANAS PAMĀCĪBA	74
P	MANUAL ORIGINAL	32	LT	ORIGINALI INSTRUKCIJA	77
I	ISTRUZIONI ORIGINALI	35	MK	ИЗБОРНО УПАТСТВО ЗА РАБОТА	79
H	EREDETI HASZNÁLATI UTASÍTÁS	38	AL	UDHËZIMET ORIGJINALE	82
CZ	PŮVODNÍM NÁVODEM K POUŽÍVÁNÍ	41	AR	دليل الاستعمال	91
TR	ORİJİNAL İŞLETME TALİMATI	43	FA	راهنمای اصلی	90
PL	INSTRUKCJA ORYGINALNA	46			
UA	ОРИГІНАЛЬНА ІНСТРУКЦІЯ З ЕКСПЛУАТАЦІЇ	49			



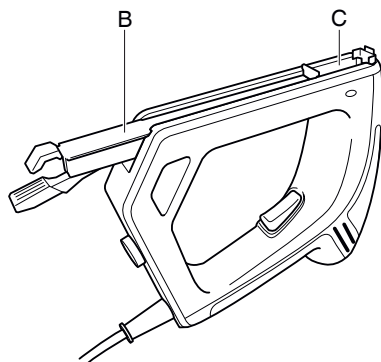
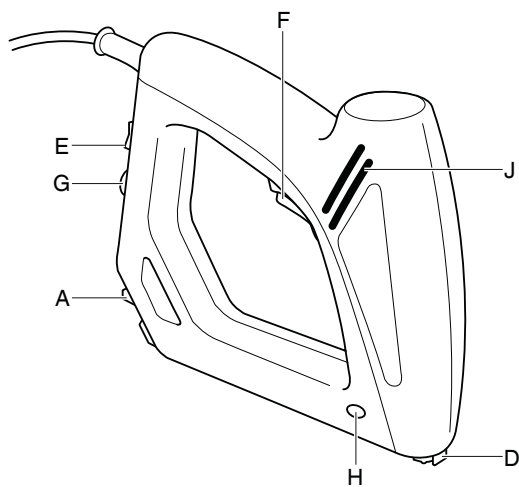
GB	EU Declaration of conformity		We declare under our sole responsibility that the stated products comply with all applicable provisions of the directives and regulations listed below and are in conformity with the following standards.
	Tacker	Article number	Technical file at:*
F	Déclaration de conformité UE		Nous déclarons sous notre propre responsabilité que les produits décrits sont en conformité avec les directives, règlements normatifs et normes énumérés ci-dessous. Dossier technique auprès de:*
	Agrafeuse	Numéro d'article	
D	EU-Konformitätserklärung		Wir erklären in alleiniger Verantwortung, dass die genannten Produkte allen einschlägigen Bestimmungen der nachfolgend aufgeführten Richtlinien und Verordnungen entsprechen und mit folgenden Normen übereinstimmen. Technische Unterlagen bei:*
	Tacker	Sachnummer	
NL	EU-conformiteitsverklaring		Wij verklaren op eigen verantwoordelijkheid dat de genoemde producten voldoen aan alle desbetreffende bepalingen van de hierna genoemde richtlijnen en verordeningen en overeenstemmen met de volgende normen. Technisch dossier bij:*
	Nietpistool	Productnummer	
S	EU-konformitetsförklaring		Vi förklarar under eget ansvar att de nämnda produkterna uppfyller kraven i alla gällande bestämmelser i de nedan angivna direktiven och förordningarna och att de stämmer överens med följande normer. Teknisk dokumentation:*
	Häftpistol	Produktnummer	
DK	EU-overensstemmelseserklæring		Vi erklærer som eneansvarlige, at det beskrevne produkt er i overensstemmelse med alle gældende bestemmelser i følgende direktiver og forordninger og opfylder følgende standarder. Tekniske bilag ved:*
	Hæftmaskine	Typenummer	
N	EU-samsvarserklæring		Vi erklærer under eneansvar at de nevnte produktene er i overensstemmelse med alle relevante bestemmelser i direktivene og forordningene nedenfor og med følgende standarder. Teknisk dokumentasjon hos:*
	Stiftemaskin	Produktnummer	
FIN	EU-vaatimustenmukaisuusvakuutus		Vakuutamme täten, että mainitut tuotteet vastaavat kaikkia seuraavien direktiivien ja asetusten asiaankuuluvia vaatimuksia ja ovat seuraavien standardien vaatimusten mukaisia. Tekniset asiakirjat saatavana:*
	Sinkiläpistooli	Tuotenumero	
E	Declaración de conformidad UE		Declaramos bajo nuestra exclusiva responsabilidad, que los productos nombrados cumplen con todas las disposiciones correspondientes de las directivas y los reglamentos mencionados a continuación y están en conformidad con las siguientes normas. Documentos técnicos de:*
	Grapadora	Número de artículo	
P	Declaração de conformidade CE		Declaramos sob nossa exclusiva responsabilidade que os produtos mencionados cumprem todas as disposições e os regulamentos indicados e estão em conformidade com as seguintes normas. Documentação técnica pertencente a:*
	Agrafador	Número do produto	
I	Dichiarazione di conformità UE		Dichiariamo sotto la nostra piena responsabilità che i prodotti indicati sono conformi a tutte le disposizioni pertinenti delle direttive e dei regolamenti elencati di seguito, nonché alle seguenti normative. Documentazione tecnica presso:*
	Graffatrice	Codice prodotto	
H	EU konformitási nyilatkozat		Egyedüli felelőséggel kijelentjük, hogy a megnevezett termékek megfelelnek az alábbiakban felsorolásra kerülő irányelvek és rendeletek valamennyi idevágó előírásainak és megfelelnek a következő szabványoknak. Műszaki dokumentumok megőrzési pontja:*
	Tűzőgép	Cikkszám	
CZ	EU prohlášení o shodě		Prohlašujeme na výhradní zodpovědnost, že uvedený výrobek splňuje všechna příslušná ustanovení níže uvedených směrnic a nařízení a je v souladu s následujícími normami. Technické podklady u:*
	Sponkovačka	Objednací číslo	
TR	AB Uygunluk beyanı		Tek sorumlu olarak, tanınlan ürünün aşağıdaki yönetmelik ve direktiflerin geçerli bütün hükümlerine ve aşağıdaki standartlara uygun olduğunu beyan ederiz. Teknik belgelerin bulunduğu yer:*
	Döşemeci tabancası	Ürün kodu	
PL	Deklaracja zgodności UE		Oświadczamy z pełną odpowiedzialnością, że niniejsze produkty odpowiadają wszystkim wymaganiom poniżej wyszczególnionych dyrektyw i rozporządzeń, oraz że są zgodne z następującymi normami. Dokumentacja techniczna:*
	Zszywacz	Numer katalogowy	
RU	Заявление о соответствии ЕС		Мы заявляем под нашу единоличную ответственность, что названные продукты соответствуют всем действующим предписаниям нижеуказанных директив и распоряжений, а также нижеуказанным норм. Техническая документация хранится у:*
	Скобосшиватель	Товарный номер	
UA	Заява про відповідність ЄС		Мизявляємо під нашу одноособову відповідальність, що названі вироби відповідають усім чинним положенням нищезначених директив і розпоряджень, а також нижчезначеним нормам. Технічна документація зберігається у:*
	Скобозабивний пістолет	Товарний номер	

GR	Δήλωση πιστότητας ΕΕ		Δηλώνουμε με αποκλειστική μας ευθύνη, ότι τα αναφερόμενα προϊόντα αντιστοιχούν σε όλες τις σχετικές διατάξεις των πιο κάτω αναφερόμενων οδηγιών και κανονισμών και ταυτίζονται με τα ακόλουθα πρότυπα. Τεχνικά έγγραφα στη:*
RO	Declarație de conformitate UE	Αριθμός ευρετηρίου	Declarăm pe proprie răspundere că produsele menționate corespund tuturor dispozițiilor relevante ale directivei și reglementărilor enumerate în cele ce urmează și sunt în conformitate cu următoarele standarde. Documentație tehnică la:*
BG	ЕС декларация за съответствие	Număr de identificare	С пълна отговорност ние декларираме, че посочените продукти отговарят на всички валидни изисквания на директивите и разпоредбите по-долу и съответства на следните стандарти. Техническа документация при:*
SK	EU vyhlásenie o zhode	Каталожен номер	Vyhlasujeme na výhradnú zodpovednosť, že uvedený výrobok spĺňa všetky príslušné ustanovenia nižšie uvedených smerníc a nariadení a je v súlade s nasledujúcimi normami. Technické podklady má spoločnosť:*
HR	EU izjava o sukladnosti	Vecné číslo	Pod punom odgovornošću izjavljujemo da navedeni proizvodi odgovaraju svim relevantnim odredbama direktiva i propisima navedenima u nastavku i da su sukladni sa sljedećim normama. Tehnička dokumentacija se može dobiti kod:*
SRB	EU-izjava o usaglašenosti	Broj predmeta	Na sopstvenu odgovornost izjavljujemo, da navedeni proizvodi odgovaraju svim dotičnim odredbama naknadno navedenih smernica u uredaba i da su u skladu sa sledećim standardima. Tehnička dokumentacija kod:*
SLO	Izjava o skladnosti ES	Številka artikla	Izjavljamo pod izključno odgovornostjo, da je omenjen izdelek v skladu z vsemi relevantnimi določili direktiv in uredb ter ustreza naslednjim standardom. Tehnična dokumentacija pri:*
EST	EL-vastavusdeklaratsioon	Tootenumber	Kinnitame ainuvastutajatena, et nimetatud tooted vastavad järgnevalt loetletud direktiivide ja määruste kõiki dele asjaomastele nõuetele ja on kooskõlas järgmistele normidega. Tehnilised dokumendid saadaval:*
LV	Deklarācija par atbilstību EK standartiem	Izstrādājuma numurs	Mēs ar pilnu atbildību paziņojam, ka šeit aplūkoti izstrādājumi atbilst visiem tālāk minētajās direktīvās un rīkojumos ietvertajām saistošajām nostādņēm, kā arī sekojošiem standartiem. Tehniškā dokumentācija saugoma:*
LT	ES atitikties deklaracija	Gaminio numeris	Atsakingai pareiškiame, kad išvardyti gaminiai atitinka visus privalomus žemiau nurodytų direktyvų ir reglamentų reikalavimus ir šiuos standartus. Techninė dokumentacija saugoma:*
MK	EU-Изјава за сообразност	Број на артикл	Со целосна одговорност изјавуваме, дека опишаните производи се во согласност со сите релевантни одредби на следните регулативи и прописи и се во согласност со следните норми. Техничка документација кај:*
AL	EU Deklarata e konformitetit	Numri i nenit	Ne deklarojmë me përgjegjësinë tonë të vetme se produktet e paraqitura janë në përputhje me të gjitha dispozitatet e zbatueshme të direktivave dhe rregulloreve të listuara më poshtë dhe janë në përputhje me standardet si më poshtë. Dosja teknike në:*
8200	F0158200..		2006/42/EC 2014/30/EU 2011/65/EU EN 60745-1:2009 + A11:2010 EN 60745-2-16:2010 EN 55014-1:2006 + A1:2009 + A2:2011 EN 55014-2:2015 EN 61000-3-2:2014 EN 61000-3-3:2013 EN 50581:2012
			SKIL * Skil BV Konijnenberg 62 4825 BD Breda The Netherlands
			Olaf Dijkgraaf Approval Manager
			
			Skil BV, Konijnenberg 62, 4825 BD Breda, NL 20.12.2018

1 8200



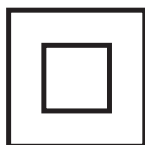
2



3



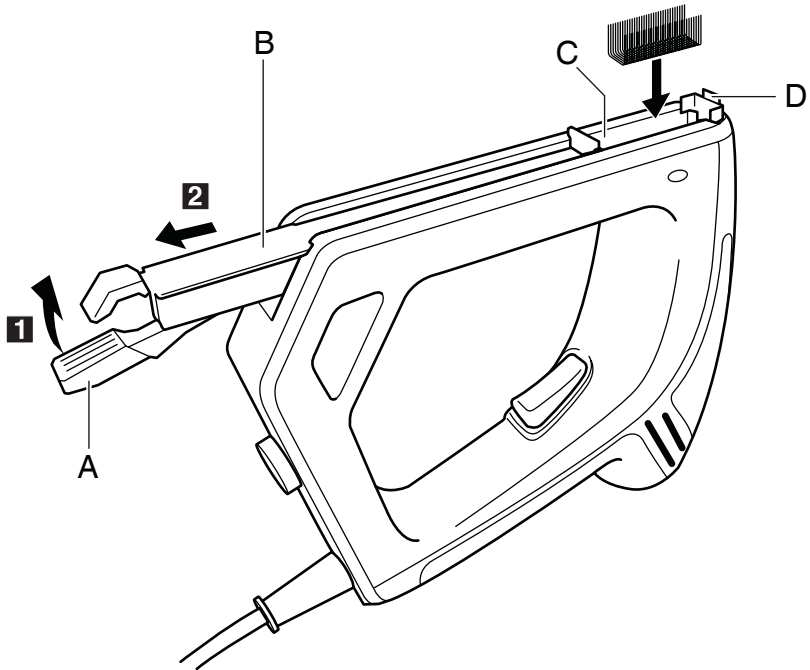
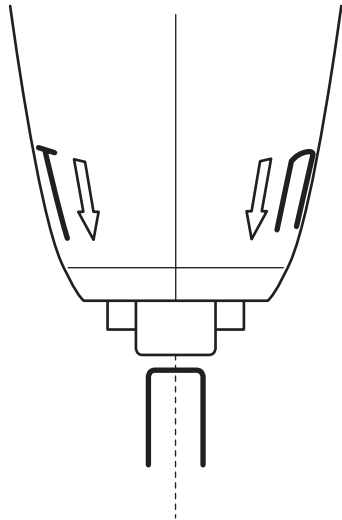
4



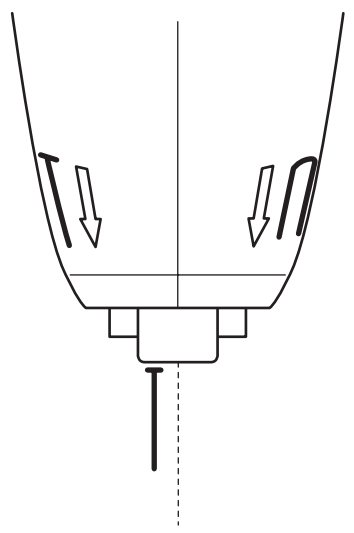
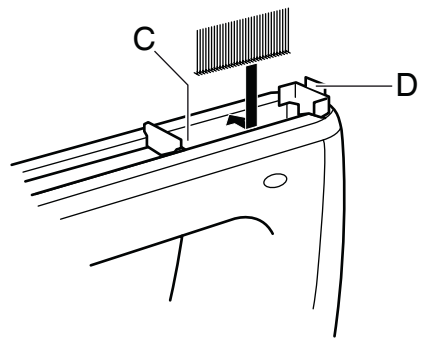
5



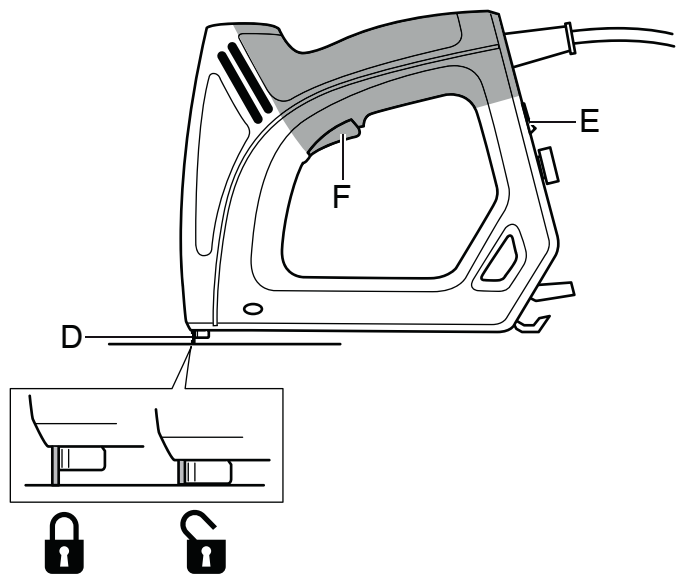
6

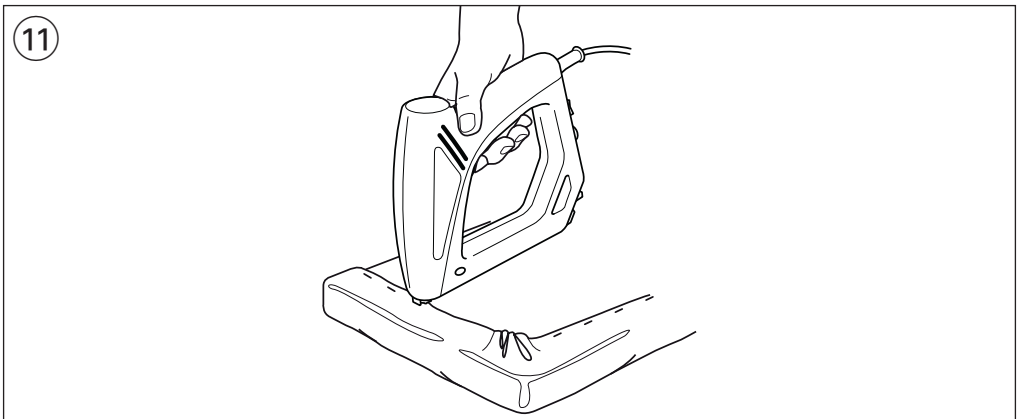
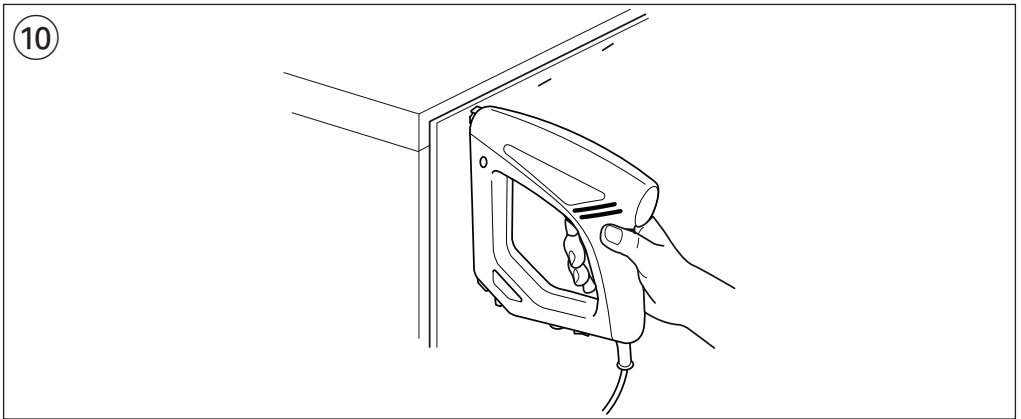
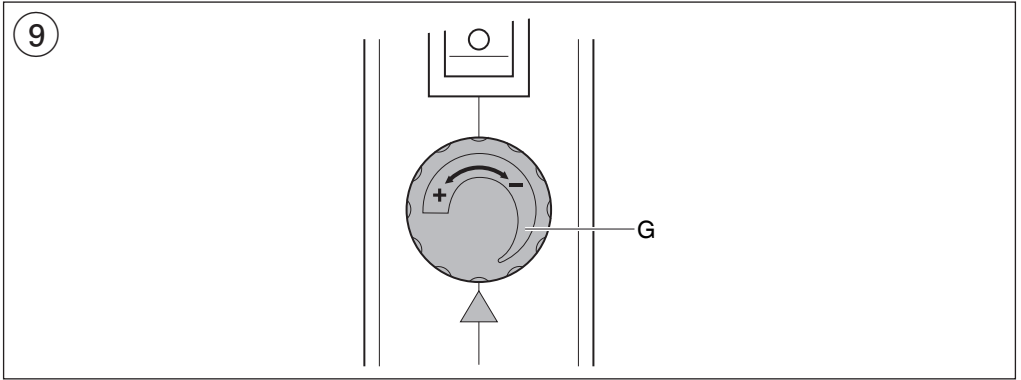


7



8





ACCESSORIES



WWW.SKIL.COM

Tacker

8200

INTRODUCTION

- This tool is intended for stapling and nailing of cardboard, insulating material, fabrics, foils, leather and similar materials on surfaces of wood or materials similar to wood
- The tool is not suitable for the attachment of wall and ceiling panelling
- This tool is not intended for professional use
- Read and save this instruction manual ③

TECHNICAL DATA ①

TOOL ELEMENTS ②

- A Lever for loading magazine
- B Slider
- C Magazine
- D Tacker head
- E On/off switch
- F Trigger switch
- G Impact control selection wheel
- H Reload indicator
- J Ventilation slots

SAFETY

GENERAL POWER TOOL SAFETY WARNINGS

⚠ WARNING Read all safety warnings, instructions, illustrations and specifications provided with this power tool. Failure to follow all instructions listed below may result in electric shock, fire and/or serious injury.

Save all warnings and instructions for future reference.

The term "power tool" in the warnings refers to your mains-operated (corded) power tool or battery-operated (cordless) power tool.

1) WORK AREA SAFETY

- a) **Keep work area clean and well lit.** Cluttered or dark areas invite accidents.
- b) **Do not operate power tools in explosive atmospheres, such as in the presence of flammable liquids, gases or dust.** Power tools create sparks which may ignite the dust or fumes.
- c) **Keep children and bystanders away while operating a power tool.** Distractions can cause you to lose control.

2) ELECTRICAL SAFETY

- a) **Power tool plugs must match the outlet. Never modify the plug in any way. Do not use any adapter plugs with earthed (grounded) power tools.** Unmodified plugs and matching outlets will reduce risk of electric shock.
- b) **Avoid body contact with earthed or grounded surfaces such as pipes, radiators, ranges and refrigerators.** There is an increased risk of electric shock if your body is earthed or grounded.

- c) **Do not expose power tools to rain or wet conditions.** Water entering a power tool will increase the risk of electric shock.
 - d) **Do not abuse the cord. Never use the cord for carrying, pulling or unplugging the power tool. Keep cord away from heat, oil, sharp edges or moving parts.** Damaged or entangled cords increase the risk of electric shock.
 - e) **When operating a power tool outdoors, use an extension cord suitable for outdoor use.** Use of a cord suitable for outdoor use reduces the risk of electric shock.
 - f) **If operating a power tool in a damp location is unavoidable, use a residual current device (RCD) protected supply.** Use of an RCD reduces the risk of electric shock.
- #### 3) PERSONAL SAFETY
- a) **Stay alert, watch what you are doing and use common sense when operating a power tool. Do not use a power tool while you are tired or under the influence of drugs, alcohol or medication.** A moment of inattention while operating power tools may result in serious personal injury.
 - b) **Use personal protective equipment. Always wear eye protection.** Protective equipment such as dust mask, non-skid safety shoes, hard hat, or hearing protection used for appropriate conditions will reduce personal injuries.
 - c) **Prevent unintentional starting. Ensure the switch is in the off-position before connecting to power source and/or battery pack, picking up or carrying the tool.** Carrying power tools with your finger on the switch or energising power tools that have the switch on invites accidents.
 - d) **Remove any adjusting key or wrench before turning the power tool on.** A wrench or a key left attached to a rotating part of the power tool may result in personal injury.
 - e) **Do not overreach. Keep proper footing and balance at all times.** This enables better control of the power tool in unexpected situations.
 - f) **Dress properly. Do not wear loose clothing or jewellery. Keep your hair and clothing away from moving parts.** Loose clothes, jewellery or long hair can be caught in moving parts.
 - g) **If devices are provided for the connection of dust extraction and collection facilities, ensure these are connected and properly used.** Use of dust collection can reduce dust-related hazards.
 - h) **Do not let familiarity gained from frequent use of tools allow you to become complacent and ignore tool safety principles.** A careless action can cause severe injury within a fraction of a second.
- #### 4) POWER TOOL USE AND CARE
- a) **Do not force the power tool. Use the correct power tool for your application.** The correct power tool will do the job better and safer at the rate for which it was designed.
 - b) **Do not use the power tool if the switch does not turn it on and off.** Any power tool that cannot be controlled with the switch is dangerous and must be repaired.

- c) **Disconnect the plug from the power source and/or remove the battery pack, if detachable, from the power tool before making any adjustments, changing accessories, or storing power tools.** Such preventive safety measures reduce the risk of starting the power tool accidentally.
 - d) **Store idle power tools out of the reach of children and do not allow persons unfamiliar with the power tool or these instructions to operate the power tool.** Power tools are dangerous in the hands of untrained users.
 - e) **Maintain power tools and accessories. Check for misalignment or binding of moving parts, breakage of parts and any other condition that may affect the power tool's operation. If damaged, have the power tool repaired before use.** Many accidents are caused by poorly maintained power tools.
 - f) **Keep cutting tools sharp and clean.** Properly maintained cutting tools with sharp cutting edges are less likely to bind and are easier to control.
 - g) **Use the power tool, accessories and tool bits etc., in accordance with these instructions, taking into account the working conditions and the work to be performed.** Use of the power tool for operations different from those intended could result in a hazardous situation.
 - h) **Keep handles and grasping surfaces dry, clean and free from oil and grease.** Slippery handles and grasping surfaces do not allow for safe handling and control of the tool in unexpected situations.
- 5) SERVICE**
- a) **Have your power tool serviced by a qualified repair person using only identical replacement parts.** This will ensure that the safety of the power tool is maintained.

SAFETY INSTRUCTIONS FOR TACKERS

- **Always assume that the tool contains fasteners** (careless handling of the tacker can result in unexpected firing of fasteners and personal injury)
- **Do not point the tool towards yourself or anyone nearby** (unexpected triggering will discharge the fastener causing an injury)
- **Do not actuate the tool unless the tool is placed firmly against the workpiece** (if the tool is not in contact with the workpiece, the fastener may be deflected away from your target)
- **Disconnect the tool from the power source when the fastener jams in the tool** (while removing a jammed fastener, the tacker may be accidentally activated if it is plugged in)
- **Use caution while removing a jammed fastener** (the mechanism may be under compression and the fastener may be forcefully discharged while attempting to free a jammed condition)
- **Do not use this tacker for fastening electrical cables** (it is not designed for electric cable installation and may damage the insulation of electric cables thereby causing electric shock or fire hazards)
- **Secure the workpiece** (a workpiece clamped with clamping devices or in a vice is held more securely than by hand)

- **This tool is not intended for use by children and persons with reduced physical, sensory or mental capabilities, or lack of experience and knowledge**
- Ensure that children do not play with the tool
- SKIL can assure flawless functioning of the tool only when original accessories are used
- Always check that the supply voltage is the same as the voltage indicated on the nameplate of the tool
- Avoid damage that can be caused by screws, nails and other elements in your workpiece; remove them before you start working
- In case of electrical or mechanical malfunction, immediately switch off the tool and disconnect the plug
- If the cord is damaged or cut through while working, do not touch the cord, but immediately disconnect the plug
- Never use the tool when cord is damaged; have it replaced by a qualified person
- Use completely unrolled and safe extension cords with a capacity of 16 Amps (U.K. 13 Amps)

EXPLANATION OF SYMBOLS ON TOOL

- ③ Read the instruction manual before use
- ④ Double insulation (no earth wire required)
- ⑤ Do not dispose of the tool together with household waste material

WHEN CONNECTING NEW 3-PIN PLUG (U.K. ONLY):

- Do not connect the blue (= neutral) or brown (= live) wire in the cord of this tool to the earth terminal of the plug
- If for any reason the old plug is cut off the cord of this tool, it must be disposed of safely and not left unattended

USE

- Loading staples/nails ⑥
 - ! **disconnect the plug**
 - turn tool upside down
 - press lever A while pulling slider B backwards
 - insert the staple/nail strip into magazine C with legs facing upward (maximal capacity 100 staples/80 nails)
 - push slider B against tacker head D until it snap-locks
 - when inserting a nail strip (not supplied with the tool) tilt the tool in such a way, that the nail strip rests against the magazine side which corresponds with the nail symbol on tacker head D ⑦
 - reload magazine C when end of staple- or nail strip shows in opening H ②
- Operating the tool ⑧
 - switch on the tool by pushing switch E in "I" position
 - firmly press tacker head D against the workpiece until it is pushed in completely
 - briefly press switch F and then release again
 - ! **while working, always hold the tool at the grey-coloured grip area(s)**
 - switch off the tool by pushing switch E in "O" position
- Impact control ⑨
 - With wheel G the required impact level can be adjusted steplessly from minimum to maximum (- / +)
 - "-" for thin and light materials such as foils and fabrics
 - "+" for thick and tough materials such as hard woods and walls
 - before starting a job, find the optimal impact level by testing out on spare material

APPLICATION ADVICE

- Fastening panels ⑩
- Fixing textiles ⑪
- For stapling hard wood use shorter staples than the ones supplied with the tool
- Avoid blank shots in order to reduce the wear of the impact strike
- For more tips see www.skil.com

MAINTENANCE / SERVICE

- This tool is not intended for professional use
- Always keep tool and cord clean (especially ventilation slots J ②)
 - ! **disconnect the plug before cleaning**
- If the tool should fail despite the care taken in manufacturing and testing procedures, repair should be carried out by an after-sales service centre for SKIL power tools
 - send the tool **undismantled** together with proof of purchase to your dealer or the nearest SKIL service station (addresses as well as the service diagram of the tool are listed on www.skil.com)

ENVIRONMENT

- **Do not dispose of electric tools, accessories and packaging together with household waste material** (only for EU countries)
 - in observance of European Directive 2012/19/EC on waste of electric and electronic equipment and its implementation in accordance with national law, electric tools that have reached the end of their life must be collected separately and returned to an environmentally compatible recycling facility
 - symbol ⑤ will remind you of this when the need for disposing occurs

NOISE / VIBRATION

- Measured in accordance with EN 60745 the sound pressure level of this tool is 84 dB(A) and the sound power level 95 dB(A) (standard deviation: 3 dB), and the vibration 7.0 m/s² (triax vector sum; uncertainty K = 1.5 m/s²)
- The vibration emission level has been measured in accordance with a standardised test given in EN 60745; it may be used to compare one tool with another and as a preliminary assessment of exposure to vibration when using the tool for the applications mentioned
 - using the tool for different applications, or with different or poorly maintained accessories, may significantly **increase** the exposure level
 - the times when the tool is switched off or when it is running but not actually doing the job, may significantly **reduce** the exposure level
- ! **protect yourself against the effects of vibration by maintaining the tool and its accessories, keeping your hands warm, and organizing your work patterns**

F

Agrafeuse

8200

INTRODUCTION

- Cet outil permet d'agrafer ou de clouer du carton, des matériaux d'isolation, des tissus, des films, du cuir et tout matériau similaire sur des surfaces en bois ou similaires
- L'outil ne convient pas à la fixation d'un panneau mural ou de plafond
- Cet outil n'est conçu pour un usage professionnel
- Lisez et conservez ce manuel d'instruction ③

CARACTERISTIQUES TECHNIQUES ①

ELEMENTS DE L'OUTIL ②

- A Levier pour chargement du magasin
- B Curseur
- C Magasin
- D Tête de l'agrafeuse
- E Interrupteur marche/arrêt
- F Gâchette
- G Roulette de sélection de contrôle d'impact
- H Indicateur de rechargement
- J Fentes de ventilation

SECURITE

AVERTISSEMENTS DE SECURITE GENERAUX POUR L'OUTIL ELECTRIQUE

AVERTISSEMENT Lisez tous les avertissements de sécurité, les instructions, les illustrations et les spécifications fournis avec cet outil électrique. Ne pas suivre les instructions énumérées ci-dessous peut provoquer un choc électrique, un incendie et/ou une blessure sérieuse.

Conservez tous les avertissements et toutes les instructions pour pouvoir s'y reporter ultérieurement.

Le terme "outil électrique" dans les avertissements se rapporte à des outils électriques raccordés au secteur (avec câble de raccordement) et à des outils électriques à batterie (sans câble de raccordement).

1) SECURITE DE LA ZONE DE TRAVAIL

- a) **Maintenez l'endroit de travail propre et bien éclairé.**
Un lieu de travail en désordre ou mal éclairé augmente le risque d'accidents.
- b) **N'utilisez pas l'outil électrique dans un environnement présentant des risques d'explosion et où se trouvent des liquides, des gaz ou poussières inflammables.** Les outils électriques génèrent des étincelles risquant d'enflammer les poussières ou les vapeurs.
- c) **Tenez les enfants et autres personnes éloignés durant l'utilisation de l'outil électrique.** En cas d'inattention vous risquez de perdre le contrôle sur l'outil électrique.

2) SECURITE RELATIVE AU SYSTEME ELECTRIQUE

- a) **La fiche de secteur de l'outil électrique doit être appropriée à la prise de courant. Ne modifiez en aucun cas la fiche. N'utilisez pas de fiches d'adaptateur avec des outils électriques avec mise à la terre.** Les fiches non modifiées et les prises de courant appropriées réduisent le risque de choc électrique.
- b) **Evitez le contact physique avec des surfaces mises à la terre telles que tuyaux, radiateurs, fours et réfrigérateurs.** Il y a un risque élevé de choc électrique au cas où votre corps serait relié à la terre.
- c) **N'exposez pas l'outil électrique à la pluie ou à l'humidité.** La pénétration d'eau dans un outil électrique augmente le risque d'un choc électrique.
- d) **N'utilisez pas le câble à d'autres fins que celles prévues, n'utilisez pas le câble pour porter l'outil électrique ou pour l'accrocher ou encore pour le débrancher de la prise de courant. Maintenez le câble éloigné des sources de chaleur, des parties grasses, des bords tranchants ou des parties de l'outil électrique en rotation.** Un câble endommagé ou torsadé augmente le risque d'un choc électrique.
- e) **Au cas où vous utiliseriez l'outil électrique à l'extérieur, utilisez une rallonge autorisée homologuée pour les applications extérieures.** L'utilisation d'une rallonge électrique homologuée pour les applications extérieures réduit le risque d'un choc électrique.
- f) **Si l'usage d'un outil dans un emplacement humide est inévitable, utilisez un disjoncteur de fuite à la terre.** L'utilisation d'un disjoncteur de fuite à la terre réduit le risque de choc électrique.

3) SECURITE DES PERSONNES

- a) **Restez vigilant, surveillez ce que vous faites. Faites preuve de bon sens en utilisant l'outil électrique. N'utilisez pas l'outil électrique lorsque vous êtes fatigué ou après avoir consommé de l'alcool, des drogues ou avoir pris des médicaments.** Un moment d'inattention lors de l'utilisation de l'outil électrique peut entraîner de graves blessures sur les personnes.
- b) **Portez des équipements de protection. Portez toujours des lunettes de protection.** Le fait de porter des équipements de protection personnels tels que masque anti-poussières, chaussures de sécurité antidérapantes, casque de protection ou protection acoustique suivant le travail à effectuer, réduit le risque de blessures.
- c) **Evitez tout démarrage intempestif. S'assurez que l'interrupteur est en position arrêté avant de brancher l'outil au secteur et/ou au bloc de batteries, de le ramasser ou de le porter.** Porter les outils en ayant le doigt sur l'interrupteur ou brancher des outils dont l'interrupteur est en position marche est source d'accidents.
- d) **Enlevez tout outil de réglage ou toute clé avant de mettre l'outil électrique en fonctionnement.** Une clé ou un outil se trouvant sur une partie en rotation peut causer des blessures.
- e) **Ne surestimez pas vos capacités. Veillez à garder toujours une position stable et équilibrée.** Ceci vous permet de mieux contrôler l'outil électrique dans des situations inattendues.

- f) **Portez des vêtements appropriés. Ne portez pas de vêtements amples ni de bijoux. Gardez les cheveux et les vêtements à distance des parties en mouvement.** Des vêtements amples, des bijoux ou des cheveux longs peuvent être happés par des pièces en mouvement.
 - g) **Si des dispositifs servant à aspirer ou à recueillir les poussières doivent être utilisés, vérifiez que ceux-ci soient effectivement raccordés et qu'ils sont correctement utilisés.** L'utilisation des collecteurs de poussière réduit les dangers dus aux poussières.
 - h) **Restez vigilant et ne pas négligez les principes de sécurité de l'outil sous prétexte que vous avez l'habitude de l'utiliser.** Une fraction de seconde d'inattention peut provoquer une blessure grave.
- ## 4) UTILISATION ET EMPLOI SOIGNEUX DE L'OUTIL ELECTRIQUE
- a) **Ne surchargez pas l'outil électrique. Utilisez l'outil électrique approprié au travail à effectuer.** Avec l'outil électrique approprié, vous travaillerez mieux et avec plus de sécurité à la vitesse pour laquelle il est prévu.
 - b) **N'utilisez pas un outil électrique dont l'interrupteur est défectueux.** Un outil électrique qui ne peut plus être mis en ou hors fonctionnement est dangereux et doit être réparé.
 - c) **Débranchez la fiche de la source d'alimentation et/ou enlevez le bloc de batteries, s'il est amovible, avant tout réglage, changement d'accessoires ou avant de ranger l'outil électrique.** De telles mesures de sécurité préventives réduisent le risque de démarrage accidentel de l'outil électrique.
 - d) **Gardez les outils électriques non utilisés hors de portée des enfants. Ne permettez pas l'utilisation de l'outil électrique à des personnes qui ne se sont pas familiarisées avec celui-ci ou qui n'ont pas lu ces instructions.** Les outils électriques sont dangereux lorsqu'ils sont utilisés par des personnes non initiées.
 - e) **Observez la maintenance des outils électriques et des accessoires. Vérifiez que les parties en mouvement fonctionnent correctement et qu'elles ne soient pas coincées, et contrôlez si des parties sont cassées ou endommagées de telle sorte que le bon fonctionnement de l'outil électrique s'en trouve entravé. Faites réparer les parties endommagées avant d'utiliser l'outil électrique.** De nombreux accidents sont dus à des outils électriques mal entretenus.
 - f) **Maintenez les outils de coupe aiguisés et propres.** Des outils soigneusement entretenus avec des bords tranchants bien aiguisés se coincent moins souvent et peuvent être guidés plus facilement.
 - g) **Utilisez l'outil électrique, les accessoires, les outils à monter etc. conformément à ces instructions. Tenez compte également des conditions de travail et du travail à effectuer.** L'utilisation de l'outil électrique à d'autres fins que celles prévues peut entraîner des situations dangereuses.
 - h) **Il faut que les poignées et les surfaces de préhension restent sèches, propres et dépourvues d'huiles et de graisses.** Des poignées et des surfaces de préhension glissantes rendent impossibles la manipulation et le contrôle en toute sécurité de l'outil dans les situations inattendues.

5) SERVICE

- a) **Ne faites réparer votre outil électrique que par un personnel qualifié et seulement avec des pièces de rechange d'origine.** Ceci permet d'assurer la sécurité de l'outil électrique.

CONSIGNES DE SECURITE POUR LES AGRAFEUSES

- **Toujours supposez que l'outil contient des éléments de fixation** (une manipulation sans précaution de l'agrafeuse peut donner lieu à une éjection intempestive d'éléments de fixation et à des accidents corporels)
- **Ne pas diriger l'outil vers vous-même ou vers quiconque à proximité** (un déclenchement intempestif déchargera l'élément de fixation en provoquant une blessure)
- **Ne pas actionner l'outil tant que celui-ci n'est pas fermement placé contre la pièce à travailler** (si l'outil n'est pas en contact avec la pièce à travailler, l'élément de fixation peut être dévié de la cible)
- **Débranchez l'outil de la source de puissance lorsque l'élément de fixation se coince dans l'outil** (lors du retrait d'un élément de fixation coincé, l'agrafeuse, si elle est branchée, peut être accidentellement activée)
- **Prenez des précautions en retirant un élément de fixation coincé** (le mécanisme peut être sous compression et l'élément de fixation peut être éjecté violemment lorsque l'on tente de le dégager de son état bloqué)
- **Ne pas utiliser cette agrafeuse pour la fixation des câbles électriques** (elle n'est pas conçue pour l'installation des câbles électriques et peut endommager l'isolant des câbles électriques en provoquant ainsi un choc électrique ou des risques d'incendie)
- **Fixez solidement la pièce à travailler** (une pièce fixée à l'aide de dispositifs de fixation est davantage assurée que si elle était tenue à la main)
- **Cet outil n'a pas été conçu pour être utilisé par des enfants ni par des personnes dont les capacités physiques, sensorielles ou mentales sont réduites, ou manquant d'expérience ou de connaissances**
- Veillez à ce que les enfants ne jouent pas avec l'outil
- SKIL ne peut se porter garant du bon fonctionnement de cet outil que s'il a été utilisé avec les accessoires d'origine
- Contrôlez toujours si la tension secteur correspond à la tension indiquée sur la plaquette signalétique de l'outil
- Faites attention aux vis, clous ou autres éléments qui pourraient se trouver dans la pièce à travailler et qui risqueraient d'endommager très fortement votre outil; enlevez-les avant de commencer le travail
- En cas de dysfonctionnement électrique ou mécanique, mettez directement l'outil hors service et débranchez la fiche
- Si le câble est endommagé ou rompu pendant le travail, n'y touchez pas, mais débranchez immédiatement la prise
- N'utilisez jamais d'outil avec un câble endommagé; faites-le remplacer par un technicien qualifié
- Utilisez un câble de prolongement complètement déroulé et de bonne qualité d'une capacité de 16 A

EXPLICATION DES SYMBOLES SUR L'OUTIL

- ③ Veuillez lire le mode d'emploi avant d'utiliser l'outil
- ④ Double-isolation (ne nécessite pas de mise à la terre)
- ⑤ Ne jetez pas l'outil dans les ordures ménagères

UTILISATION

- Chargement des agrafes/clous ⑥
 - ! **débranchez la fiche**
 - tournez l'outil à l'envers
 - appuyez sur le levier A tout en tirant le curseur B vers l'arrière
 - insérez la cartouche d'agrafes/de clous dans le magasin C pointes vers le haut (capacité maximale 100 agrafes/80 clous)
 - poussez le curseur B contre la tête de l'agrafe D jusqu'à ce que la sécurité à clapet se ferme
 - lorsque vous insérez une cartouche de clous (non fourni avec l'outil), inclinez l'outil de manière à ce que la cartouche de clous repose contre le côté du magasin qui correspond au symbole de clou sur la tête de l'agrafeuse D ⑦
 - rechargez le magasin C lorsque vous voyez la fin de la cartouche d'agrafes ou de clous dans l'ouverture H ②
- Utilisation de l'outil ⑧
 - mettez en marche l'outil en poussant l'interrupteur E dans la position "I"
 - appuyez fermement la tête de l'agrafeuse D contre la pièce à travailler jusqu'à ce qu'elle soit entièrement enfoncée
 - appuyez brièvement sur l'interrupteur F et relâchez-le
 - ! **lorsque vous travaillez, tenez toujours l'outil par la(les) zone(s) de couleur grise**
 - arrêtez l'outil en poussant l'interrupteur E dans la position "O"
- Contrôle de l'impact ⑨
 - La roulette G vous permet de régler sans paliers le niveau d'impact requis de minimum au maximum (- / +)
 - "-" pour les matériaux fins et légers tels que les films et les tissus
 - "+" pour les matériaux épais et solides tels que des bois durs et des murs
 - avant de commencer un travail, cherchez le niveau d'impact optimal en effectuant des essais sur du matériel de réserve

CONSEILS D'UTILISATION


- Fixation de panneaux ⑩
- Fixation de textiles ⑪
- Pour agraffer du bois dur, utilisez des agrafes plus courtes que celles fournies avec l'outil
- Evitez les coups à blanc afin de réduire l'usure de la course de frappe
- Pour des suggestions complémentaires voyez www.skil.com

ENTRETIEN / SERVICE APRES-VENTE

- Cet outil n'est pas conçu pour un usage professionnel
- Gardez toujours votre outil et le câble propres (spécialement les aérations J ②)
 - ! **débranchez la fiche avant le nettoyage**

- Si, malgré tous les soins apportés à la fabrication et au contrôle de l'outil, celui-ci devait avoir un défaut, la réparation ne doit être confiée qu'à une station de service après-vente agréée pour outillage SKIL
 - retournez l'outil **non démonté** avec votre preuve d'achat au revendeur ou au centre de service après-vente SKIL le plus proche (les adresses ainsi que la vue éclatée de l'outil figurent sur www.skil.com)

ENVIRONNEMENT

- **Ne jetez pas les outils électriques, les accessoires et l'emballage dans les ordures ménagères** (pour les pays européens uniquement)
 - conformément à la directive européenne 2012/19/EG relative aux déchets d'équipements électriques ou électroniques, et à sa transposition dans la législation nationale, les outils électriques usés doivent être collectés séparément et faire l'objet d'un recyclage respectueux de l'environnement
 - le symbole  vous le rappellera au moment de la mise au rebut de l'outil



BRUIT / VIBRATION

- Mesuré selon EN 60745 le niveau de la pression sonore de cet outil est 84 dB(A) et le niveau de la puissance sonore 95 dB(A) (déviation standard: 3 dB), et la vibration 7,0 m/s² (somme vectorielle des trois axes directionnels; incertitude K = 1,5 m/s²)
 - Le niveau de vibrations émises a été mesuré conformément à l'essai normalisé de la norme EN 60745; il peut être utilisé pour comparer plusieurs outils et pour réaliser une évaluation préliminaire de l'exposition aux vibrations lors de l'utilisation de l'outil pour les applications mentionnées
 - l'utilisation de l'outil dans d'autres applications, ou avec des accessoires différents ou mal entretenus, peut considérablement **augmenter** le niveau d'exposition
 - la mise hors tension de l'outil et sa non-utilisation pendant qu'il est allumé peuvent considérablement **réduire** le niveau d'exposition
- ! protégez-vous contre les effets des vibrations par un entretien correct de l'outil et de ses accessoires, en gardant vos mains chaudes et en structurant vos schémas de travail**


D

Tacker

8200

EINLEITUNG

- Dieses Gerät dient zum Heften und Nageln von Pappe, Isoliermaterial, Stoffen, Folien, Leder und ähnlichen Materialien auf Holzoberflächen und holzähnlichen Materialien

- Das Werkzeug eignet sich nicht zur Befestigung von Wand- und Deckenverkleidungen
- Dieses Werkzeug eignet sich nicht für den professionellen Einsatz
- Bitte diese Bedienungsanleitung sorgfältig lesen und aufbewahren 


TECHNISCHE DATEN

WERKZEUGKOMPONENTEN

- A Hebel zum Laden des Magazins
- B Schieber
- C Magazin
- D Tackermase
- E Ein/Aus-Schalter
- F Auslöseschalter
- G SchlagkraftEinstellung
- H Nachfüllanzeige
- J Lüftungsschlitze

SICHERHEIT

ALLGEMEINE SICHERHEITSHINWEISE FÜR ELEKTROWERKZEUGE

 **WARNUNG** Lesen Sie alle Sicherheitshinweise, Anweisungen, Gebildungen und technischen Daten, mit denen dieses Elektrowerkzeug versehen ist.

Versäumnisse bei der Einhaltung der nachfolgenden Anweisungen können elektrischen Schlag, Brand und/oder schwere Verletzungen verursachen.

Bewahren Sie alle Sicherheitshinweise und Anweisungen für die Zukunft auf.

Der in den Sicherheitshinweisen verwendete Begriff "Elektrowerkzeug" bezieht sich auf netzbetriebene Elektrowerkzeuge (mit Netzkabel) und auf akkubetriebene Elektrowerkzeuge (ohne Netzkabel).

1) ARBEITSPLATZSICHERHEIT

- a) **Halten Sie Ihren Arbeitsbereich sauber und gut beleuchtet.** Unordnung oder unbeleuchtete Arbeitsbereiche können zu Unfällen führen.
- b) **Arbeiten Sie mit dem Elektrowerkzeug nicht in explosionsgefährdeter Umgebung, in der sich brennbare Flüssigkeiten, Gase oder Stäube befinden.** Elektrowerkzeuge erzeugen Funken, die den Staub oder die Dämpfe entzünden können.
- c) **Halten Sie Kinder und andere Personen während der Benutzung des Elektrowerkzeuges fern.** Bei Ablenkung können Sie die Kontrolle über das Elektrowerkzeug verlieren.

2) ELEKTRISCHE SICHERHEIT

- a) **Der Anschlussstecker des Elektrowerkzeuges muss in die Steckdose passen. Der Stecker darf in keiner Weise verändert werden. Verwenden Sie keine Adapterstecker gemeinsam mit geschützten Elektrowerkzeugen.** Unveränderte Stecker und passende Steckdosen verringern das Risiko eines elektrischen Schlages.

- b) **Vermeiden Sie Körperkontakt mit geerdeten Oberflächen, wie von Rohren, Heizungen, Herden und Kühlschränken.** Es besteht ein erhöhtes Risiko durch elektrischen Schlag, wenn Ihr Körper geerdet ist.
- c) **Halten Sie das Elektrowerkzeug von Regen oder Nässe fern.** Das Eindringen von Wasser in ein Elektrogerät erhöht das Risiko eines elektrischen Schlages.
- d) **Zweckentfremden Sie das Kabel nicht, um das Elektrowerkzeug zu tragen, aufzuhängen oder um den Stecker aus der Steckdose zu ziehen. Halten Sie das Kabel fern von Hitze, Öl, scharfen Kanten oder sich bewegenden Elektrowerkzeugteilen.** Beschädigte oder verwickelte Kabel erhöhen das Risiko eines elektrischen Schlages.
- e) **Wenn Sie mit einem Elektrowerkzeug im Freien arbeiten, verwenden Sie nur Verlängerungskabel, die auch für den Außenbereich zugelassen sind.** Die Anwendung eines für den Außenbereich geeigneten Verlängerungskabels verringert das Risiko eines elektrischen Schlages.
- f) **Wenn der Betrieb des Elektrowerkzeuges in feuchter Umgebung nicht vermeidbar ist, verwenden Sie einen Fehlerstromschutzschalter.** Der Einsatz eines Fehlerstromschutzschalters vermindert das Risiko eines elektrischen Schlages.
- 3) SICHERHEIT VON PERSONEN**
- a) **Seien Sie aufmerksam, achten Sie darauf, was Sie tun, und gehen Sie mit Vernunft an die Arbeit mit einem Elektrowerkzeug. Benutzen Sie das Elektrowerkzeug nicht, wenn Sie müde sind oder unter dem Einfluss von Drogen, Alkohol oder Medikamenten stehen.** Ein Moment der Unachtsamkeit beim Gebrauch des Elektrowerkzeuges kann zu ernsthaften Verletzungen führen.
- b) **Tragen Sie persönliche Schutzausrüstung und immer eine Schutzbrille.** Das Tragen persönlicher Schutzausrüstung, wie Staubmaske, rutschfeste Sicherheitsschuhe, Schutzhelm oder Gehörschutz, je nach Art und Einsatz des Elektrowerkzeuges, verringert das Risiko von Verletzungen.
- c) **Vermeiden Sie eine unbeabsichtigte Inbetriebnahme. Vergewissern Sie sich, dass das Elektrowerkzeug ausgeschaltet ist, bevor Sie es an die Stromversorgung und/oder den Akku anschließen, es aufnehmen oder tragen.** Wenn Sie beim Tragen des Elektrowerkzeuges den Finger am Schalter haben oder das Elektrowerkzeug eingeschaltet an die Stromversorgung anschließen, kann dies zu Unfällen führen.
- d) **Entfernen Sie Einstellwerkzeuge oder Schraubenschlüssel, bevor Sie das Elektrowerkzeug einschalten.** Ein Werkzeug oder Schlüssel, der sich in einem drehenden Elektrowerkzeugteil befindet, kann zu Verletzungen führen.
- e) **Überschätzen Sie sich nicht. Sorgen Sie für einen sicheren Stand und halten Sie jederzeit das Gleichgewicht.** Dadurch können Sie das Elektrowerkzeug in unerwarteten Situationen besser kontrollieren.
- f) **Tragen Sie geeignete Kleidung. Tragen Sie keine weite Kleidung oder Schmuck. Halten Sie Haare und Kleidung fern von sich bewegenden Teilen.** Lockere Kleidung, Schmuck oder lange Haare können von sich bewegenden Teilen erfasst werden.
- g) **Wenn Staubabsaug- und -auffangeinrichtungen montiert werden können, vergewissern Sie sich, dass diese angeschlossen sind und richtig verwendet werden.** Verwendung einer Staubabsaugung verringert Gefährdungen durch Staub.
- h) **Wiegen Sie sich nicht in falscher Sicherheit und setzen Sie sich nicht über die Sicherheitsregeln für Elektrowerkzeuge hinweg, auch wenn Sie nach vielfachem Gebrauch mit dem Elektrowerkzeug vertraut sind.** Achtloses Handeln kann binnen Sekundenbruchteilen zu schweren Verletzungen führen.
- 4) SORGFÄLTIGER UMGANG UND GEBRAUCH VON ELEKTROWERKZEUGEN**
- a) **Überlasten Sie das Elektrowerkzeug nicht. Verwenden Sie für Ihre Arbeit das dafür bestimmte Elektrowerkzeug.** Mit dem passenden Elektrowerkzeug arbeiten Sie besser und sicherer im angegebenen Leistungsbereich.
- b) **Benutzen Sie kein Elektrowerkzeug, dessen Schalter defekt ist.** Ein Elektrowerkzeug, das sich nicht mehr ein- oder ausschalten lässt, ist gefährlich und muss repariert werden.
- c) **Ziehen Sie den Stecker aus der Steckdose und/oder entfernen Sie einen abnehmbaren Akku, bevor Sie Geräteeinstellungen vornehmen, Zubehörteile wechseln oder das Elektrowerkzeug weglegen.** Diese Vorsichtsmaßnahme verhindert den unbeabsichtigten Start des Elektrowerkzeuges.
- d) **Bewahren Sie unbenutzte Elektrowerkzeuge außerhalb der Reichweite von Kindern auf. Lassen Sie Personen das Elektrowerkzeug nicht benutzen, die mit diesem nicht vertraut sind oder diese Anweisungen nicht gelesen haben.** Elektrowerkzeuge sind gefährlich, wenn Sie von unerfahrenen Personen benutzt werden.
- e) **Pflegen Sie Elektrowerkzeuge und Zubehör mit Sorgfalt. Kontrollieren Sie, ob bewegliche Elektrowerkzeugteile einwandfrei funktionieren und nicht klemmen, ob Teile gebrochen oder so beschädigt sind, dass die Funktion des Elektrowerkzeuges beeinträchtigt ist. Lassen Sie beschädigte Teile vor dem Einsatz des Elektrowerkzeuges reparieren.** Viele Unfälle haben ihre Ursache in schlecht gewarteten Elektrowerkzeugen.
- f) **Halten Sie Schneidwerkzeuge scharf und sauber.** Sorgfältig gepflegte Schneidwerkzeuge mit scharfen Schneidkanten verklemmen sich weniger und sind leichter zu führen.
- g) **Verwenden Sie Elektrowerkzeug, Zubehör, Einsatzwerkzeuge usw. entsprechend diesen Anweisungen. Berücksichtigen Sie dabei die Arbeitsbedingungen und die auszuführende Tätigkeit.** Der Gebrauch von Elektrowerkzeugen für andere als die vorgesehenen Anwendungen kann zu gefährlichen Situationen führen.
- h) **Halten Sie Griffe und Griffflächen trocken, sauber und frei von Öl und Fett.** Rutschige Griffe und

Griffflächen erlauben keine sichere Bedienung und Kontrolle des Elektrowerkzeuges in unvorhergesehenen Situationen.

5) SERVICE

- a) **Lassen Sie Ihr Elektrowerkzeug nur von qualifiziertem Fachpersonal und nur mit Original-Ersatzteilen reparieren.** Damit wird sichergestellt, dass die Sicherheit des Elektrowerkzeuges erhalten bleibt.

SICHERHEITSHINWEISE FÜR TACKER

- **Gehen Sie immer davon aus, dass das Werkzeug Klammern enthält** (die sorglose Handhabung des Tackers kann zum unerwarteten Ausschleßen von Klammern führen und Sie verletzen)
- **Zielen Sie mit dem Werkzeug nicht auf sich selbst oder andere Personen in der Nähe** (durch unerwartetes Auslösen wird eine Klammer ausgestoßen, was zu Verletzungen führen kann)
- **Betätigen Sie das Werkzeug nicht, bevor es fest auf das Werkstück gesetzt ist** (wenn das Werkzeug keinen Kontakt mit dem Werkstück hat, kann die Klammer von der Befestigungsstelle abprallen)
- **Trennen Sie das Werkzeug vom Netz oder vom Akku, wenn die Klammer im Elektrowerkzeug klemmt** (wenn das Tacker angeschlossen ist, kann es beim Entfernen einer verklebten Klammer versehentlich betätigt werden)
- **Seien Sie vorsichtig beim Entfernen einer festsitzenden Klammer** (das System kann gespannt sein und die Klammer kräftig ausgestoßen werden, während Sie versuchen die Verklebung zu beseitigen)
- **Verwenden Sie dieses Tacker nicht zur Befestigung von Elektroleitungen** (es ist nicht für die Installation von Elektroleitungen geeignet, kann die Isolierung von Elektrokabeln beschädigen und so elektrischen Schlag und Feuergefahren verursachen)
- **Sichern Sie das Werkstück** (ein mit Spannvorrichtungen oder Schraubstock festgehaltenes Werkstück ist sicherer gehalten als mit der Hand)
- **Dieses Werkzeug ist nicht dafür bestimmt durch Kinder und Personen mit eingeschränkten physischen, sensorischen oder geistigen Fähigkeiten, oder mangelnder Erfahrung und Wissen, benutzt zu werden**
- Stellen Sie sicher, dass Kinder nicht mit dem Werkzeug spielen
- SKIL kann nur dann die einwandfreie Funktion des Werkzeuges zusichern, wenn Original-Zubehör verwendet wird
- Stets nachprüfen, daß die Netzspannung mit der auf dem Typenschild des Werkzeuges angegebenen Spannung übereinstimmt
- Beschädigungen durch Schrauben, Nägel und ähnliches an Ihrem Werkstück vermeiden; diese vor Arbeitsbeginn entfernen
- Bei elektrischer oder mechanischer Fehlfunktion das Werkzeug sofort ausschalten und den Netzstecker ziehen
- Wird bei der Arbeit das Kabel beschädigt oder durchtrennt, Kabel nicht berühren, sondern sofort den Netzstecker ziehen

- Werkzeug nicht weiter verwenden, wenn das Kabel beschädigt ist; lassen Sie dieses von einem anerkannten Elektrofachmann ersetzen
- Bei Benutzung von Verlängerungskabeln ist darauf zu achten, daß das Kabel vollständig abgerollt ist und eine Kapazität von 16 A hat

ERKLÄRUNG DER SYMBOLE AUF DEM WERKZEUG

- ③ Die Bedienungsanleitung vor dem Gebrauch lesen
- ④ Doppelte Isolierung (kein Erdleiter erforderlich)
- ⑤ Das Werkzeug nicht in den Hausmüll werfen

BEDIENUNG

- Laden der Klammern/Nägel ⑥
 - ! **Netzstecker ziehen**
 - Werkzeug umdrehen
 - Hebelarm A drücken und Schieber B nach hinten schieben
 - Klammer/Nagelstreifen C so in das Magazin einlegen, dass die Klammerspitzen nach oben weisen (maximale Kapazität 100 Klammern/80 Nägel)
 - Schieber B gegen Tackernase D drücken, bis dieser einrastet
 - das Gerät beim Einlegen eines Nagelstreifens (nicht im Lieferumfang enthalten) leicht schräg halten, sodass der Nagelstreifen an der Seitenwand des Magazins anliegt, die mit dem Nagelsymbol an der Tackernase D gekennzeichnet ist ⑦
 - das Magazin C nachfüllen, wenn das Ende des Klammer- oder Nadelstreifens in der Öffnung H ② sichtbar wird
- Bedienung des Werkzeuges ⑧
 - Werkzeug durch Drücken des Schalters E in die Position "I" einschalten
 - die Tackernase D fest gegen das Werkstück drücken, bis es vollständig eingedrückt ist
 - Schalter F kurz drücken und ihn wieder loslassen
- ! **Werkzeug beim Arbeiten immer am grauen Griffbereich fassen**
 - Werkzeug durch Drücken des Schalters E in die Position "O" ausschalten
- Schlagkraftkontrolle ⑨
 - Mit Einstellrad G kann die gewünschte Schlagkraft stufenlos von minimal bis maximal (- / +) eingestellt werden
 - "-" für dünne und leichte Materialien wie Folien und Stoffe
 - "+" für dicke und stabile Materialien wie harte Hölzer und Mauern
 - vor Beginn der Arbeit die optimale Schlagkraft an einem Probestück austesten

ANWENDUNGSHINWEISE

- Befestigung von Deckenverkleidungen ⑩
- Befestigung von Textilien ⑪
- Verwenden Sie für das Heften von Hartholz kürzere Klammern als jene, die im Lieferumfang des Werkzeugs enthalten sind
- Vermeiden Sie Leerschüsse, um den Verschleiß des Schlagstempels zu vermeiden
- Für mehr Tips siehe www.skil.com

WARTUNG / SERVICE

- Dieses Werkzeug eignet sich nicht für den professionellen Einsatz
- Halten Sie Werkzeug und Kabel immer sauber (insbesondere die Lüftungsschlitze J ②)
! Netzstecker vor dem Säubern ziehen
- Sollte das Elektrowerkzeug trotz sorgfältiger Herstellungs- und Prüfverfahren einmal ausfallen, ist die Reparatur von einer autorisierten Kundendienststelle für SKIL-Elektrowerkzeuge ausführen zu lassen
 - das Werkzeug **unzerlegt**, zusammen mit dem Kaufbeleg, an den Lieferer oder die nächste SKIL-Vertragswerkstätte senden (die Adressen so wie die Ersatzteilzeichnung des Werkzeuges finden Sie unter www.skil.com)

UMWELT

- **Elektrowerkzeuge, Zubehör und Verpackungen nicht in den Hausmüll werfen** (nur für EU-Länder)
 - gemäss Europäischer Richtlinie 2012/19/EG über Elektro- und Elektronik- Altgeräte und Umsetzung in nationales Recht müssen nicht mehr gebrauchsfähige Elektrowerkzeuge getrennt gesammelt und einer umweltgerechten Wiederverwertung zugeführt werden
 - hieran soll Sie Symbol ⑤ erinnern

GERÄUSCH / VIBRATION

- Gemessen gemäß EN 60745 beträgt der Schalldruckpegel dieses Gerätes 84 dB(A) und der Schalleistungspegel 95 dB(A) (Standardabweichung: 3 dB), und die Vibration $7,0 \text{ m/s}^2$ (Vektorsumme dreier Richtungen; Unsicherheit $K = 1,5 \text{ m/s}^2$)
- Die Vibrationsemissionsstufe wurde mit einem standardisierten Test gemäß EN 60745 gemessen; Sie kann verwendet werden, um ein Werkzeug mit einem anderen zu vergleichen und als vorläufige Beurteilung der Vibrationsexposition bei Verwendung des Werkzeugs für die angegebenen Anwendungszwecke
 - die Verwendung des Werkzeugs für andere Anwendungen oder mit anderem oder schlecht gewartetem Zubehör kann die Expositionsstufe erheblich **erhöhen**
 - Zeiten, zu denen das Werkzeug ausgeschaltet ist, oder wenn es läuft aber eigentlich nicht eingesetzt wird, können die Expositionsstufe erheblich **verringern****! schützen Sie sich vor den Auswirkungen der Vibration durch Wartung des Werkzeugs und des Zubehörs, halten Sie Ihre Hände warm und organisieren Sie Ihren Arbeitsablauf**

NL

Nietpistool

8200

INTRODUCTIE

- Dit apparaat is bedoeld voor het vastnieten en vernagelen van karton, isolatiemateriaal, stof, folie, leer en soortgelijke materialen op een houten of soortgelijk oppervlak

- De machine is niet geschikt voor de bevestiging van wand- of plafondpanelen
- Deze machine is niet bedoeld voor professioneel gebruik
- Lees en bewaar deze gebruiksaanwijzing ③

TECHNISCHE GEGEVENS ①

MACHINE-ELEMENTEN ②

- A Hengel om het magazijn te laden
- B Schuif
- C Magazijn
- D Kop van het nietpistool
- E Aan/uit schakelaar
- F Trekkerschakelaar
- G Instelwielje voor krachtregeling
- H Vulindicator
- J Ventilatie-openingen

VEILIGHEID

ALGEMENE VEILIGHEIDSWAARSCHUWINGEN VOOR ELEKTRISCHE GEREEDSCHAPPEN

⚠ WAARSCHUWING Lees alle veiligheidswaarschuwingen, aanwijzingen, afbeeldingen en specificaties die bij dit elektrische gereedschap worden geleverd. Als de hieronder vermelde aanwijzingen niet worden opgevolgd, kan dit een elektrische schok, brand en/of ernstig letsel tot gevolg hebben.

Bewaar alle waarschuwingen en voorschriften voor toekomstig gebruik.

Het in de waarschuwingen gebruikte begrip "elektrisch gereedschap" heeft betrekking op elektrische gereedschappen voor gebruik op het stroomnet (met netsnoer) en op elektrische gereedschappen voor gebruik met een accu (zonder netsnoer).

1) VEILIGHEID VAN DE WERKOMGEVING

- a) **Houd uw werkomgeving schoon en opgeruimd.** Een rommelige of onverlichte werkomgeving kan tot ongevallen leiden.
- b) **Werk met het gereedschap niet in een omgeving met explosiegevaar waarin zich brandbare vloeistoffen, gassen of stof bevinden.** Elektrische gereedschappen veroorzaken vonken die het stof of de dampen tot ontsteking kunnen brengen.
- c) **Houd kinderen en andere personen tijdens het gebruik van het elektrische gereedschap uit de buurt.** Wanneer u wordt afgeleid, kunt u de controle over het gereedschap verliezen.

2) ELEKTRISCHE VEILIGHEID

- a) **De aansluitstekker van het gereedschap moet in het stopcontact passen. De stekker mag in geen geval worden veranderd. Gebruik geen adapterstekkers in combinatie met geaarde gereedschappen.** Onveranderde stekkers en passende stopcontacten beperken het risico van een elektrische schok.
- b) **Voorkom aanraking van het lichaam met geaarde oppervlakken, bijvoorbeeld van buizen,**

- verwarmingen, fornuizen en koelkasten. Er bestaat een verhoogd risico door een elektrische schok wanneer uw lichaam geaard is.
- c) **Houd het gereedschap uit de buurt van regen en vocht.** Het binnendringen van water in het elektrische gereedschap vergroot het risico van een elektrische schok.
- d) **Gebruik de kabel niet voor een verkeerd doel, om het gereedschap te dragen of op te hangen of om de stekker uit het stopcontact te trekken. Houd de kabel uit de buurt van hitte, olie, scherpe randen en bewegende gereedschapsdelen.** Beschadigde of in de war geraakte kabels vergroten het risico van een elektrische schok.
- e) **Wanneer u buitenshuis met elektrisch gereedschap werkt, dient u alleen verlengkabels te gebruiken die voor gebruik buitenshuis zijn goedgekeurd.** Het gebruik van een voor gebruik buitenshuis geschikte verlengkabel beperkt het risico van een elektrische schok.
- f) **Als het gebruik van het elektrische gereedschap in een vochtige omgeving onvermijdelijk is, dient u een aardlekschakelaar te gebruiken.** Het gebruik van een aardlekschakelaar vermindert het risico van een elektrische schok.
- ### 3) VEILIGHEID VAN PERSONEN
- a) **Wees alert, let goed op wat u doet en ga met verstand te werk bij het gebruik van het elektrische gereedschap. Gebruik het gereedschap niet wanneer u moe bent of onder invloed staat van drugs, alcohol of medicijnen.** Een moment van onoplettendheid bij het gebruik van het gereedschap kan tot ernstige verwondingen leiden.
- b) **Draag persoonlijke beschermende uitrusting en altijd een veiligheidsbril.** Het dragen van persoonlijke beschermende uitrusting zoals een stofmasker, slipvaste werkschoenen, een veiligheidshelm of gehoorbescherming, afhankelijk van de aard en het gebruik van het elektrische gereedschap, vermindert het risico van verwondingen.
- c) **Voorkom per ongeluk inschakelen. Controleer dat het elektrische gereedschap uitgeschakeld is voordat u de stekker in het stopcontact steekt of de accu aansluit en voordat u het gereedschap oppakt of draagt.** Wanneer u bij het dragen van het elektrische gereedschap uw vinger aan de schakelaar hebt of wanneer u het gereedschap ingeschakeld op de stroomvoorziening aansluit, kan dit tot ongevallen leiden.
- d) **Verwijder instelgereedschappen of schroefsleutels voordat u het gereedschap inschakelt.** Een instelgereedschap of sleutel in een draaiend deel van het gereedschap kan tot verwondingen leiden.
- e) **Probeer niet ver te reiken. Zorg ervoor dat u stevig staat en steeds in evenwicht blijft.** Daardoor kunt u het gereedschap in onverwachte situaties beter onder controle houden.
- f) **Draag geschikte kleding. Draag geen loshangende kleding of sieraden. Houd haren en kleding uit de buurt van bewegende delen.** Loshangende kleding, sieraden en lange haren kunnen door bewegende delen worden meegenomen.
- g) **Wanneer stofafzuigings- of stofopvangvoorzieningen kunnen worden gemonteerd, dient u zich ervan te verzekeren dat deze zijn aangesloten en juist worden gebruikt.** Het gebruik van een stofafzuiging beperkt het gevaar door stof.
- h) **Ondanks het feit dat u eventueel heel goed vertrouwd bent met het gebruik van gereedschappen, moet u ervoor zorgen dat u niet nonchalant wordt en veiligheidsvoorschriften voor het gereedschap gaat negeren.** Een onoplettende handeling kan binnen een fractie van een seconde ernstig letsel veroorzaken.
- ### 4) GEBRUIK EN ONDERHOUD VAN ELEKTRISCHE GEREEDSCHAPPEN
- a) **Overbelast het gereedschap niet. Gebruik voor uw werkzaamheden het daarvoor bestemde elektrische gereedschap.** Met het passende elektrische gereedschap werkt u beter en veiliger binnen het aangegeven capaciteitsbereik.
- b) **Gebruik geen elektrisch gereedschap waarvan de schakelaar defect is.** Elektrisch gereedschap dat niet meer kan worden in- of uitgeschakeld, is gevaarlijk en moet worden gerepareerd.
- c) **Trek de stekker uit het stopcontact en/of neem de accu (indien uitneembaar) uit het elektrische gereedschap voordat u het elektrische gereedschap instelt, accessoires wisselt of het elektrische gereedschap opbergt.** Deze voorzorgsmaatregel voorkomt onbedoeld starten van het elektrische gereedschap.
- d) **Bewaar niet-gebruikte elektrische gereedschappen buiten bereik van kinderen. Laat het gereedschap niet gebruiken door personen die er niet mee vertrouwd zijn en deze aanwijzingen niet hebben gelezen.** Elektrische gereedschappen zijn gevaarlijk wanneer deze door onervaren personen worden gebruikt.
- e) **Verzorg het gereedschap zorgvuldig. Controleer of bewegende delen van het gereedschap correct functioneren en niet vastklemmen en of onderdelen zodanig gebroken of beschadigd zijn dat de werking van het gereedschap nadelig wordt beïnvloed. Laat beschadigde delen repareren voordat u het gereedschap gebruikt.** Veel ongevallen hebben hun oorzaak in slecht onderhouden elektrische gereedschappen.
- f) **Houd snijdende inzetgereedschappen scherp en schoon.** Zorgvuldig onderhouden snijdende inzetgereedschappen met scherpe snijkanten klemmen minder snel vast en zijn gemakkelijker te geleiden.
- g) **Gebruik elektrische gereedschappen, toebehoren, inzetgereedschappen en dergelijke volgens deze aanwijzingen. Let daarbij op de arbeidsomstandigheden en de uit te voeren werkzaamheden.** Het gebruik van elektrische gereedschappen voor andere dan de voorziene toepassingen kan tot gevaarlijke situaties leiden.
- h) **Houd handgrepen en greepvlakken droog, schoon en vrij van olie en vet.** Gladde handgrepen en greepvlakken verhinderen dat het gereedschap in onverwachte situaties veilig kan worden gehanteerd en bediend.

5) SERVICE

- a) **Laat het gereedschap alleen repareren door gekwalificeerd en vakkundig personeel en alleen met originele vervangingsonderdelen.** Daarmee wordt gewaarborgd dat de veiligheid van het gereedschap in stand blijft.

VEILIGHEIDSINSTRUCTIES VOOR NIETPISTOLEN

- **Ga er altijd van uit, dat het gereedschap nieten bevat** (een achteloze omgang met het nietpistool kan tot het onverwacht uitschieten van nieten leiden, waardoor u gewond kunt raken)
- **Richt met het gereedschap niet op uzelf of op andere personen in de buurt** (door onverwacht activeren wordt een niet uitgestoten, hetgeen tot verwondingen kan leiden)
- **Bedien het gereedschap niet voordat het stevig op het werkstuk is geplaatst** (als het gereedschap het werkstuk niet raakt, kan de niet van de bevestigingsplaats wegglijden)
- **Trek de stekker van het gereedschap uit het stopcontact of haal de accu uit het gereedschap als de niet in het gereedschap vastklemt** (als het nietpistool aangesloten is, kan deze bij het verwijderen van een vastgeklemde niet per ongeluk worden bediend)
- **Wees voorzichtig bij het verwijderen van een vastzittende niet** (het systeem kan gespannen zijn en de niet kan met kracht naar buiten worden gestoten terwijl u probeert om de vastzittende niet te verwijderen)
- **Gebruik dit nietpistool niet voor de bevestiging van elektrische leidingen** (het is niet geschikt voor de installatie van elektrische leidingen, kan de isolatie van elektrische kabels beschadigen en zo een elektrische schok en brandgevaar veroorzaken)
- **Zet het werkstuk vast** (een werkstuk, dat is vastgezet met klemmen of in een bankschroef, zit steviger vast dan wanneer het met de hand wordt vastgehouden)
- **Deze machine is niet bedoeld voor gebruik door kinderen en personen met fysieke, zintuiglijke of mentale beperkingen, of een gebrek aan ervaring en kennis**
- Zorg ervoor dat kinderen de machine niet als speelgoed gebruiken
- SKIL kan alleen een correcte werking van de machine garanderen, indien originele accessoires worden gebruikt
- Controleer altijd of het voltage, dat vermeld staat op het typeplaatje van de machine, overeenkomt met de netspanning
- Voorkom schade, die kan ontstaan door schroeven, spijkers en andere voorwerpen in uw werkstuk; verwijder deze, voordat u aan een karwei begint
- In geval van elektrische of mechanische storing, de machine onmiddellijk uitschakelen en de stekker uit het stopcontact trekken
- Raak het snoer niet aan, als dit tijdens de werkzaamheden wordt beschadigd of doorgesneden, maar trek onmiddellijk de stekker uit het stopcontact
- Gebruik de machine niet, wanneer het snoer beschadigd is; laat dit door een erkende vakman vervangen
- Gebruik volledig uitgerolde en veilige verlengsnoeren met een capaciteit van 16 Ampère

UITLEG VAN SYMBOLEN OP MACHINE

- ③ Lees de gebruiksaanwijzing vóór gebruik
- ④ Dubbele isolatie (geen aarddraad nodig)
- ⑤ Geef de machine niet met het huisvuil mee

GEBRUIK

- Nietjes/nagels laden ⑥
 - ! **trek de stekker uit het stopcontact**
 - draai machine ondersteboven
 - druk op hendel A terwijl u schuif B naar achteren trekt
 - plaats de strook nietjes/nagels in magazijn C met de punt omhoog (maximale capaciteit 100 nietjes/80 nagels)
 - druk schuif B tegen de kop van het nietpistool D tot deze vastklikt en vergrendelt
 - wanneer u een strook nagels (niet bijgeleverd) plaatst, moet u het apparaat zo kantelen dat de nagelstrook rust tegen de kant van het magazijn die overeenkomt met het nagelsymbool op de kop van het nietpistool D
- ⑦
 - vul magazijn C wanneer het einde van de strook nietjes/nagels zichtbaar is in opening H ②
- Werken met de machine ⑧
 - schakel de machine aan door schakelaar E in stand "I" te zetten
 - druk kop D van het nietpistool stevig tegen het werkstuk totdat deze volledig in het nietpistool zit
 - druk kort op schakelaar F en laat deze dan weer los
 - ! **houd de machine tijdens het werk altijd vast bij het(de) grijs-gekleurde greepvlak(ken)**
 - schakel de machine uit door schakelaar E in stand "O" te zetten
- Krachtregeling ⑨
 - Met wieltje G kan het vereiste krachtniveau van minimum tot maximum (- / +) ingesteld worden
 - "-." voor dunne en lichte materialen, zoals folie en stof
 - "+." voor dikke en stugge materialen, zoals hard hout en stenen muren
 - kies, voordat u gaat nieten, het vereiste krachtniveau door te testen op reservemateriaal

TOEPASSINGSADVIES

- Panelen vastzetten ⑩
- Textiel vastzetten ⑪
- Gebruik voor het nieten van hard hout kortere nagels dan die met de machine zijn meegeleverd
- Gebruik het pistool niet met een leeg magazijn om te voorkomen dat de slagkracht afneemt
- Voor meer tips zie www.skil.com

ONDERHOUD / SERVICE

- Deze machine is niet bedoeld voor professioneel gebruik
- Houd machine en snoer altijd schoon (met name de ventilatie-openingen J ②)
 - ! **trek de stekker uit het stopcontact vóór het reinigen**

- Mocht het elektrische gereedschap ondanks zorgvuldige fabricage- en testmethoden toch defect raken, dient de reparatie te worden uitgevoerd door een erkende klantenservice voor SKIL elektrische gereedschappen
 - stuur de machine **ongedemonteerd**, samen met het aankoopbewijs, naar het verkoopadres of het dichtstbijzijnde SKIL service-station (de adressen evenals de onderdeelentekening van de machine vindt u op www.skil.com)

MILIEU

- **Geef electrisch gereedschap, accessoires en verpakkingen niet met het huisvuil mee** (alleen voor EU-landen)
 - volgens de Europese richtlijn 2012/19/EG inzake oude elektrische en elektronische apparaten en de toepassing daarvan binnen de nationale wetgeving, dient afgedankt electrisch gereedschap gescheiden te worden ingezameld en te worden afgevoerd naar een recycle-bedrijf, dat voldoet aan de geldende milieu-eisen
 - symbool  zal u in het afdankstadium hieraan herinneren

GELUID / VIBRATIE


- Gemeten volgens EN 60745 bedraagt het geluidsruisniveau van deze machine 84 dB(A) en het geluidsvermogen-niveau 95 dB(A) (standaard deviatie: 3 dB), en de vibratie 7,0 m/s² (vectorsom van drie richtingen; onzekerheid K = 1,5 m/s²)
 - Het trillingsemissieniveau is gemeten in overeenstemming met een gestandaardiseerde test volgens EN 60745; deze mag worden gebruikt om twee machines met elkaar te vergelijken en als voorlopige beoordeling van de blootstelling aan trilling bij gebruik van de machine voor de vermelde toepassingen
 - gebruik van de machine voor andere toepassingen, of met andere of slecht onderhouden accessoires, kan het blootstellingsniveau aanzienlijk **verhogen**
 - wanneer de machine is uitgeschakeld of wanneer deze loopt maar geen werk verricht, kan dit het blootstellingsniveau aanzienlijk **reduceren**
- ! bescherm uzelf tegen de gevolgen van trilling door de machine en de accessoires te onderhouden, uw handen warm te houden en uw werkwijze te organiseren**

S

Häftpistol

8200

INTRODUKTION

- Det här verktyget används för häftning eller spikning av kartong, isoleringsmaterial, textil, folie, läder och liknande material på ytor av trä eller träliknande ytor
- Verktyget lämpar sig inte för montering av vägg- och takbeklädnad
- Det här verktyget är inte avsett för yrkesmässig användning
- Läs och spara denna instruktionsbok 


TEKNISKA DATA

VERKTYGSELEMENT

- A Spak för laddning av magasinet
- B Skjutjärn
- C Magasin
- D Slagdel
- E Till/från strömbrytare
- F Strömbrytare
- G Inställningshjul för slagkraft
- H Påfyllningsindikator
- J Ventilationsöppningar

SÄKERHET

ALLMÄNNA SÄKERHETSANVISNINGAR FÖR ELVERKTYG

 **! VARNING** Läs alla säkerhetsvarningar, instruktioner, illustrationer och specifikationer som ingår med detta elverktyg. Fel som uppstår till följd av att instruktionerna nedan inte följts kan orsaka elstöt, brand och/eller allvarliga personskador.

Förvara alla varningar och anvisningar för framtida bruk.

Nedan använt begrepp "elverktyg" hänför sig till nätdrivna elverktyg (med nätsladd) och till batteridrivna elverktyg (sladdlösa).

1) ARBETSPLATSSÄKERHET

- a) **Håll arbetsplatsen ren och välbelyst.** Oordning på arbetsplatsen eller dåligt belyst arbetsområde kan leda till olyckor.
- b) **Använd inte elverktyget i explosionsfarlig omgivning med brännbara vätskor, gaser eller damm.** Elverktygen alstrar gnistor som kan antända dammet eller gaserna.
- c) **Håll under arbetet med elverktyget barn och obehöriga personer på betryggande avstånd.** Om du störs av obehöriga personer kan du förlora kontrollen över elverktyget.

2) ELEKTRISK SÄKERHET

- a) **Elverktygets stickpropp måste passa till vägguttaget. Stickproppen får absolut inte förändras. Använd inte adapterkontakter tillsammans med skyddsjordade elverktyg.** Oförändrade stickproppar och passande vägguttag reducerar risken för elektriskt slag.
- b) **Undvik kroppskontakt med jordade ytor som t. ex. rör, värmeelement, spisar och kylskåp.** Det finns en större risk för elektriskt slag om din kropp är jordad.
- c) **Skydda elverktyget mot regn och väta.** Tränger vatten in i ett elverktyg ökar risken för elektriskt slag.
- d) **Missbruka inte nätsladden och använd den inte för att bära eller hänga upp elverktyget och inte heller för att dra stickproppen ur vägguttaget. Håll nätsladden på avstånd från värme, olja, skarpa kanter och rörliga maskindelar.** Skadade eller tilltrasslade ledningar ökar risken för elektriskt slag.

- e) När du arbetar med ett elverktyg utomhus använd endast förlängningssladdar som är godkända för utomhusbruk. Om en lämplig förlängningssladd för utomhusbruk används minskar risken för elektriskt slag.
- f) Använd en jordfelsbrytare om det inte är möjligt att undvika elverktygets användning i fuktig miljö. Genom att använda en jordfelsbrytare minskas risken för elstöt.

3) PERSONSÄKERHET

- a) Var uppmärksam, kontrollera vad du gör och använd elverktyget med förnuft. Använd inte elverktyget när du är trött eller om du är påverkad av droger, alkohol eller mediciner. Under användning av elverktyg kan även en kort uppmärksamhet leda till allvarliga kroppsskador.
- b) Bär alltid personlig skyddsutrustning och skyddsglasögon. Användning av personlig skyddsutrustning som t. ex. dammfiltermask, halkfria säkerhetsskor, skyddshjälm och hörselskydd reducerar alltefter elverktygets typ och användning risken för kroppsskada.
- c) Undvik oavsiktlig igångsättning. Kontrollera att elverktyget är fränkopplat innan du ansluter stickproppen till vägguttaget och/eller ansluter/tar bort batteriet, tar upp eller bär elverktyget. Om du bär elverktyget med fingret på strömställaren eller ansluter påkopplat elverktyg till nätströmmen kan olycka uppstå.
- d) Ta bort alla inställningsverktyg och skruvnycklar innan du kopplar på elverktyget. Ett verktyg eller en nyckel i en roterande komponent kan medföra kroppsskada.
- e) Överskatta inte din förmåga. Se till att du står stadigt och håller balansen. I detta fall kan du lättare kontrollera elverktyget i oväntade situationer.
- f) Bär lämpliga kläder. Bär inte löst hängande kläder eller smycken. Håll håret och kläderna på avstånd från de rörliga delarna. Löst hängande kläder, smycken och långt hår kan dras in av roterande delar.
- g) Vid elverktyg med dammsugnings- och uppsamlingsutrustning kontrollera att anordningarna är rätt monterade och används på korrekt sätt. Användning av dammsugning minskar de risker damm orsakar.
- h) Låt inte vanan att ofta använda verktygen göra att du blir slarvig och ignorerar verktygets säkerhetsprinciper. En vårdslös åtgärd kan leda till allvarlig personskada inom bråkdelen av en sekund.

4) OMSORGSFULL HANTERING OCH ANVÄNDNING AV ELVERKTYG

- a) Överbelasta inte elverktyget. Använd för aktuellt arbete avsett elverktyg. Med ett lämpligt elverktyg kan du arbeta bättre och säkrare inom angivet effektområde.
- b) Ett elverktyg med defekt strömställare får inte längre användas. Ett elverktyg som inte kan kopplas in eller ur är farligt och måste repareras.
- c) Dra stickproppen ur vägguttaget och/eller ta bort batteriet, om det kan tas ut ur elverktyget, innan inställningar utförs, tillbehörsdelar byts ut eller elverktyget lagras. Denna skyddsåtgärd förhindrar oavsiktlig inkoppling av elverktyget.

- d) Förvara elverktygen oåtkomliga för barn. Låt elverktyget inte användas av personer som inte är förtrogna med dess användning eller inte läst denna anvisning. Elverktygen är farliga om de används av oerfarna personer.
- e) Underhåll elverktyg och tillbehör omsorgsfullt. Kontrollera att rörliga komponenter fungerar felfritt och inte kärvar, att komponenter inte brustit eller skadats; orsaker som kan leda till att elverktygets funktioner påverkas menligt. Låt skadade delar repareras innan elverktyget återanvänds. Många olyckor orsakas av dåligt skötta elverktyg.
- f) Håll skärverktygen skarpa och rena. Omsorgsfullt skötta skärverktyg med skarpa egg kommer inte så lätt i kläm och går lättare att styra.
- g) Använd elverktyget, tillbehör, insatsverktyg osv. enligt dessa anvisningar. Ta hänsyn till arbetsvillkoren och arbetsmomenten. Används elverktyget på icke ändamålsenligt sätt kan farliga situationer uppstå.
- h) Håll handtag och greppytor torra, rena och fria från olja och fett. Hala handtag och greppytor ger ingen säker hantering och kontroll över verktyget i oväntade situationer.

5) SERVICE

- a) Låt elverktyget repareras endast av kvalificerad fackpersonal och med originalreservdelar. Detta garanterar att elverktygets säkerhet upprätthålls.

SÄKERHETSINSTRUKTIONER FÖR HÅFTPISTOL

- Utgå alltid från att verktyget innehåller klamrar (oaktsam användning av häftpistolen kan leda till oväntad utskjutning av klammer och personskador)
- Rikta inte verktyget mot dig själv eller andra personer i närheten (en oväntad avtryckning stöter ut en klammer som kan orsaka personskada)
- Tryck inte av verktyget innan det är i stabil kontakt med arbetsstycket (om verktyget inte är i kontakt med arbetsstycket kan klammern studsas mot fästpunkten)
- Koppla bort verktyget från nätet eller batteriet när klammer läggs in i verktyget (om häftpistolen är ansluten kan den aktiveras oavsiktligt vid borttagning av en inklämd klammer)
- Var försiktig vid borttagning av en hårt sittande klammer (klammern kan stötas ut kraftigt vid försök att åtgärda en klammer som sitter inspänd i systemet)
- Häftpistolen får inte användas för häftning av elledningar (verktyget är inte avsett för installation av elledningar; elledningens isolering kan skadas och orsaka elstöt och brandrisk)
- Sätt fast arbetsstycket (ett arbetsstycke fastsatt med skruvtingar eller i ett skruvstöd är mera stabilt än om det hålls fast för hand)
- Denna maskin får inte användas av barn eller personer med ett förståndshandikapp eller på annat sätt medsatt förmåga
- Barn får inte använda maskinen som leksak
- SKIL kan endast garantera att maskinen fungerar felfritt om originaltillbehör används
- Kontrollera alltid att den tillförda strömtypen stämmer med spänningen som anges på maskinens märkplåt

- Undvik skador genom att ta bort skruvar, spikar eller andra föremål ur arbetsstycket; ta dem bort innan du startar ett arbete
- I händelse av onormala elektriska eller mekaniska störningar, stäng genast av maskinen och dra ur stickkontakten
- Skadas eller kapas nätsladden under arbetet, rör inte vid sladden utan dra genast ut stickkontakten
- Använd ej maskinen om sladden är trasig; låt den byta ut av en kvalificerad person
- Använd helt uttrullade och säkra förlängningsladdar med kapacitet på 16 A

FÖRKLARING AV SYMBOLERNA PÅ VERKTYGET

- ③ Läs bruksanvisningen före användning
- ④ Dubbel isolering (ingen jordning krävs)
- ⑤ Maskinen får inte kastas i hushållssoporna

ANVÄNDNING

- Fylla på häftklammer/spik ⑥
! drag ur stickkontakten
 - vänd maskinen upp och ned
 - tryck på handtaget A tryck samtidigt skjutjärnet B bakåt
 - sätt i häftklammer-/spikremsa i magasinet C med ryggen nedåt (maximal kapacitet 100 häftklammer/80 spik)
 - för tillbaka skjutjärnet B mot slagdelen D tills det klickar på plats
 - vid användning av spikremsa (levereras inte med verktyget) låta verktyget på så sätt att spikremsan vilar mot magasinsidan vilket korreponderar med spiksymbolen på slagdelen D ⑦
 - fyll på magasinet C när slutet på häftklammer- eller spikremsan syns i öppningen H ②
- Användning av maskinen ⑧
 - starta maskinen genom att sätta omkopplaren E i läget "I"
 - håll häftklammerdelen stadigt D mot arbetsstycket tills den trycks in fullständigt
 - tryck kort på F och släpp igen
 - ! under arbetet, håll alltid verktyget i det grå greppet**
 - stäng av maskinen genom att sätta omkopplaren E i läget "O"
- Inställning av slagkraft ⑨
Med hjulet G kan erfordrade slagstyrket justeras steglöst från minimum till maximum (- / +)
 - "-" för tunna och lätta material så som folie och textil
 - "+" för tjocka material så som hårda träslag och väggar
 - innan du påbörjar ett arbete, testa vilket som är rätt slagstyrka på ett restmaterial

ANVÄNDNINGSTIPS

- Fästa paneler ⑩
- Sätta fast textil ⑪
- Vid arbeten med hårt trä ska kortare häftklamrar användas än de som levereras med verktyget
- Undvik tomma skott då detta ger onödigt slitage på slagdelen
- För fler tips se www.skil.com

UNDERHÅLL / SERVICE

- Det här verktyget är inte avsedd för yrkesmässig användning
- Håll alltid din maskin och sladden ren (speciellt ventilationsöppningarna J ②)
! drag ur stickkontakten innan rengöring
- Om i elverktyget trots exakt tillverkning och sträng kontroll störning skulle uppstå, bör reparation utföras av auktoriserad serviceverkstad för SKIL elverktyg
 - sänd in verktyget i **odemonterat skick** tillsammans med inköpsbevis till försäljaren eller till närmaste SKIL serviceverkstad (adresser till servicestationer och sprängskisser av maskiner finns på www.skil.com)

MILJÖ

- **Elektriska verktyg, tillbehör och förpackning får inte kastas i hushållssoporna** (gäller endast EU-länder)
 - enligt direktivet 2012/19/EG som avser äldre elektrisk och elektronisk utrustning och dess tillämpning enligt nationell lagstiftning ska uttjänta elektriska verktyg sorteras separat och lämnas till miljövänlig återvinning
 - symbolen ⑤ kommer att påminna om detta när det är tid att kassera

LJUD / VIBRATION

- Ljudtrycksnivån som uppmätts enligt EN 60745 är på denna maskin 84 dB(A) och ljudeffektnivån 95 dB(A) (standard deviation: 3 dB), och vibration 7,0 m/s² (vektorsumma i tre riktningar; onoggrannhet K = 1,5 m/s²)
- Vibrationsemissionsvärdet har uppmätts enligt ett standardiserat test i enlighet med EN 60745; detta värde kan användas för att jämföra vibrationen hos olika verktyg och som en ungefärlig uppskattning av hur stor vibration användaren utsätts för när verktyget används enligt det avsedda syftet
 - om verktyget används på ett annat än det avsedda syftet eller med fel eller dåligt underhållna tillbehör kan detta drastiskt **öka** vibrationsnivån
 - när verktyget stängs av eller är på men inte används, kan detta avsevärt **minska** vibrationsnivån
- ! skydda dig mot vibration genom att underhålla verktyget och dess tillbehör, hålla händerna varma och styra upp ditt arbetssätt**

DK

Häftemaskine

8200

INLEDNING

- Dette værktøj er beregnet til hæftning og fastsømning af karton, isoleringsmateriale, stof, folie, læder og lignende materialer på overflader af træ eller materiale, som har samme egenskaber som træ
- Værktøjet er ikke egnet til at montere væg- eller loftpaneler
- Dette værktøj er ikke beregnet til professionelt brug
- Læs og gem denne betjeningsvejledning ③

TEKNISKE DATA ①

VÆRKTØJETS DELE ②

- A Arm til påfyldning af magasin
- B Skyder
- C Magasin
- D Hæftepistolens hoved
- E Tænd/sluk afbryder
- F Udløserkontakt
- G Indstillingshjul til slagstyrke
- H Genindlæs indikator
- J Ventilationshuller

SIKKERHED

GENERELLE SIKKERHEDSINSTRUKSER FOR EL-VÆRKTØJ

⚠ ADVARSEL Læs alle sikkerhedsadvarsler, instruktioner, illustrationer og specifikationer, som følger med el-værktøjet. I tilfælde af manglende overholdelse af anvisningerne nedenfor er der risiko for elektrisk stød, brand og/eller alvorlige personskader.

Gem alle advarsler og instruktioner til senere brug.

Begrebet "el-værktøj" i advarselne refererer til el-værktøj, der kører på lysnettet, (med netkabel) samt akku-værktøj (uden netkabel).

1) SIKKERHED PÅ ARBEJDSPLADSEN

- a) **Sørg for, at arbejdsområdet er rent og ryddeligt.**
Uorden eller uoplyste arbejdsområder øger faren for uheld.
- b) **Brug ikke el-værktøjet i eksplosionsstruede omgivelser, hvor der er brændbare væsker, gasser eller støv.** El-værktøj kan slå gnister, der kan antænde støv eller dampe.
- c) **Sørg for, at andre personer og ikke mindst børn holdes væk fra arbejdsområdet, når el-værktøjet er i brug.** Hvis man distraheres, kan man miste kontrollen over el-værktøjet.

2) ELEKTRISK SIKKERHED

- a) **El-værktøjets stik skal passe til kontakten. Stikket må under ingen omstændigheder ændres. Brug ikke adapterstik sammen med jordforbundet el-værktøj.** Uændrede stik, der passer til kontakterne, nedsætter risikoen for elektrisk stød.
- b) **Undgå kropskontakt med jordforbundne overflader som f.eks. rør, radiatorer, komfurer og køleskabe.** Hvis din krop er jordforbundet, øges risikoen for elektrisk stød.
- c) **El-værktøjet må ikke udsættes for regn eller fugt.** Indtrængning af vand i et el-værktøj øger risikoen for elektrisk stød.
- d) **Brug ikke ledningen til formål, den ikke er beregnet til. Du må aldrig bære el-værktøjet i ledningen, hænge el-værktøjet op i ledningen eller rykke i ledningen for at trække stikket ud af kontakten. Beskyt ledningen mod varme, olie, skarpe kanter eller maskindele, der er i bevægelse.** Beskadigede eller udviklede ledninger øger risikoen for elektrisk stød.
- e) **Hvis el-værktøjet benyttes i det fri, må der kun benyttes en forlængerledning, der er egnet til udendørs brug.** Brug af forlængerledning til udendørs brug nedsætter risikoen for elektrisk stød.

- f) **Hvis det ikke kan undgås at bruge el-værktøjet i fugtige omgivelser, skal der bruges et HFI-relæ.** Brug af et HFI-relæ reducerer risikoen for at få elektrisk stød.

3) PERSONLIG SIKKERHED

- a) **Det er vigtigt at være opmærksom, se, hvad man laver, og bruge el-værktøjet fornuftigt. Brug ikke noget el-værktøj, hvis du er træt, har nydt alkohol eller er påvirket af medikamenter eller euforiserende stoffer.** Få sekunders uopmærksomhed ved brug af el-værktøjet kan føre til alvorlige personskader.
 - b) **Brug beskyttelsesudstyr og hav altid beskyttelsesbriller på.** Brug af sikkerhedsudstyr som f. eks. støvmaske, skridsikkert fodtøj, beskyttelseshjelm eller høreværn afhængig af maskintype og anvendelse nedsætter risikoen for personskader.
 - c) **Undgå utilsigtet igangsætning. Kontrollér, at el-værktøjet er slukket, før du tilsætter det til strømtilførslen og/eller akkuen, løfter eller bærer det.** Undgå at bære el-værktøjet med fingeren på afbryderen og sørg for, at el-værktøjet ikke er tændt, når det sluttes til nettet, da dette øger risikoen for personskader.
 - d) **Gør det til en vane altid at fjerne indstillingsværktøj eller skruenøgle, før el-værktøjet tændes.** Hvis et stykke værktøj eller en nøgle sidder i en roterende maskindele, er der risiko for personskader.
 - e) **Undgå en unormal legemsposition. Sørg for at stå sikkert, mens der arbejdes, og kom ikke ud af balance.** Dermed har du bedre muligheder for at kontrollere el-værktøjet, hvis der skulle opstå uventede situationer.
 - f) **Brug egnet arbejdstøj. Undgå løse beklædningsgenstande eller smykker. Hold hår og tøj væk fra dele, der bevæger sig.** Dele, der er i bevægelse, kan gribe fat i løstsiddende tøj, smykker eller langt hår.
 - g) **Hvis støvudsugnings- og opsamlingsudstyr kan monteres, er det vigtigt, at dette tilsluttes og benyttes korrekt.** Brug af en støvsugning kan reducere støvmængden og dermed den fare, der er forbundet støv.
 - h) **Selvom du kender værktøjet godt og er vant til at bruge det, skal du alligevel være opmærksom og overholde sikkerhedsanvisningerne.** Et øjeblik uopmærksomhed kan medføre alvorlige personskader.
- #### 4) OMHYGGELIG OMGANG MED OG BRUG AF EL-VÆRKTØJ
- a) **Undgå overbelastning af el-værktøjet. Brug altid et el-værktøj, der er beregnet til det stykke arbejde, der skal udføres.** Med det passende el-værktøj arbejder man bedst og mest sikkert inden for det angivne effektområde.
 - b) **Brug ikke et el-værktøj, hvis afbryder er defekt.** Et el-værktøj, der ikke kan startes og stoppes, er farligt og skal repareres.
 - c) **Træk stikket ud af stikkontakten og/eller fjern akkuen, hvis den er aftagelig, før maskinen indstilles, før skift af tilbehørsdele eller før el-værktøjet lægges til opbevaring.** Disse sikkerhedsforanstaltninger forhindrer utilsigtet start af el-værktøjet.

- d) **Opbevar ubenyttet el-værktøj uden for børns rækkevidde. Lad aldrig personer, der ikke er fortrolige med el-værktøjet eller ikke har gennemlæst disse instrukser, benytte el-værktøjet.** El-værktøj er farligt, hvis det benyttes af ukyndige personer.
- e) **Vedligehold el-værktøj og tilbehørsdele. Kontroller, om bevægelige maskindele fungerer korrekt og ikke sidder fast, og om delene er brækket eller beskadiget, således at el-værktøjets funktion påvirkes. Få beskadigede dele repareret, inden el-værktøjet tages i brug.** Mange uheld skyldes dårligt vedligeholdte el-værktøjer.
- f) **Sørg for, at skæreværktøjer er skarpe og rene.** Omhyggeligt vedligeholdte skæreværktøjer med skarpe skærekanter sætter sig ikke så hurtigt fast og er nemmere at føre.
- g) **Brug el-værktøj, tilbehør, indsatsværktøj osv. iht. disse instrukser. Tag hensyn til arbejdsforholdene og det arbejde, der skal udføres.** Anvendelse af el-værktøj til formål, som ligger uden for det fastsatte anvendelsesområde, kan føre til farlige situationer.
- h) **Hold håndtag og gribeblader tørre, rene og fri for olie og smørefedt.** Hvis håndtag og gribeblader er glatte, kan værktøjet ikke håndteres og styres sikkert, hvis der sker noget uventet.
- 5) **SERVICE**
- a) **Sørg for, at el-værktøj kun repareres af kvalificerede fagfolk og at der kun benyttes originale reservedele.** Dermed sikres størst mulig maskinsikkerhed.

SIKKERHEDSANVISNINGER TIL HÆFTEMASKINER

- **Gå altid ud fra, at værktøjet har klemmer** (en sorgløs håndtering af hæftepistol kan føre til en uventet udskydning af klemmer, hvilket kan føre til kvæstelser)
- **Ret ikke værktøjet mod dig selv eller andre personer, der befinder sig i nærheden** (en uventet udløsning fører til udskydning af en klemme, hvilket kan føre til kvæstelser)
- **Betjen ikke værktøjet, før det er anbragt fast på emnet** (har værktøjet ikke nogen kontakt med emnet, kan klemmen prelle af fastgørelsesstedet)
- **Afbryd værktøjet fra nettet eller akkuen, hvis klemmen sidder i klemme i værktøjet** (er hæftepistol tilsluttet, kan man fejlagtigt komme til at betjene det i forbindelse med fjernelse af en fastklemt klemme)
- **Vær forsigtig, når en fastsiddende klemme skal fjernes** (systemet kan være spændt og klemmen stødes kraftigt ud, mens du forsøger at afhjælpe fastklemningen)
- **Brug ikke dette hæftepistol til at fastgøre elektriske ledninger** (det er ikke egnet til at installere elektriske ledninger, det kan beskadige isoleringen af elektriske kabler og således føre til elektrisk stød og brandfare)
- **Fastgør emnet** (det er sikrere at holde emner i en fastgøringsanordning eller skruestik end med hånden)
- **Dette værktøj er ikke beregnet til brug af børn og personer, der har nedsatte fysiske, sensoriske eller mentale evner eller mangel på erfaring og viden**
- Børn må ikke lege med dette værktøj
- SKIL kan kun sikre en korrekt funktion af værktøjet, hvis der benyttes originalt tilbehør

- Kontrollér altid at forsyningsspændingen er den samme som den spænding, der er anført på værktøjets navneskilt
- Undgå skader forårsaget af skruer, søm eller andre materialer i arbejdsstykket; fjern disse før De begynder at arbejde
- I tilfælde af elektrisk eller mekanisk fejlfunktion skal afbryderen straks afbrydes og stikket tages ud af kontakten
- Hvis kablet beskadiges eller skæres over under arbejdet, ikke berør kablet, og straks træk ud stikket
- Brug ikke værktøjet, hvis kablet er beskadiget; få det skiftet ud af en anerkendt fagmand
- Anvend helt udrullede og sikre forlængerledninger med en kapacitet på 16 A

FORKLARING TIL SYMBOLERNE PÅ VÆRKTØJET

- ③ Læs instruktionen inden brugen
- ④ Dobbelt isolering (jordforbindelse unødvendig)
- ⑤ Værktøj må ikke bortskaffes som almindeligt affald

BETJENING

- Indsætning af hæfteklammer/søm ⑥
 - ! **træk stikket ud af kontakten**
 - vend værktøjet på hovedet
 - tryk på håndtaget A, mens skyderen B trækkes tilbage
 - sæt hæfteklammerne/sømmene ind i magasinet C med benene opad (maksimal kapacitet 100 hæfteklammer/80 søm)
 - skub skyderen B mod hæftepistolens hoved D, indtil den låser
 - ved indsætning af søm (leveres ikke med værktøjet) hældes værktøjet, så sømmene står opad magasinsiden, som har søm-symbolet på pistolhovedet D ⑦
 - genpåfyld magasinet C, når enden af hæfteklammerne eller sømmene kan ses i åbning H ②
- Betjening af værktøjet ③
 - start værktøjet ved at skubbe afbryderen E i "I" stilling
 - pres pistolhovedet D fast mod emnet, indtil det er trykket fuldstændigt ned
 - tryk kort på kontakten F, og slip igen
 - ! **under arbejde, hold altid om værktøjet på de grå markerede grebsområde(r)**
 - afbryd værktøjet ved at skubbe afbryderen E i "O" stilling
- Styrkeindikator ⑨
 - Med hjulet G kan den ønskede slagstyrke justeres trinnløst fra min. til maks. (- / +)
 - "-" til tynde og lette materialer som folie og stof
 - "+" til tykke og seje materialer som hårdt træ og vægge
 - find den bedste styrkeindstilling ved at lave en test på materiale, du ikke skal bruge, før du begynder på arbejdet

GODE RÅD

- Fastgøringspaneler ⑩
- Fastgøring af tekstiler ⑪
- Brug kortere hæfteklammer til hæftning af hårdt træ end de hæfteklammer, der leveres med værktøjet
- Undgå tomme skud, så slidet på slagmekanismen reduceres
- For flere tips se www.skil.com

VEDLIGEHOLDELSE/SERVICE

- Dette værktøj er ikke beregnet til professionelt brug
- Hold værktøjet og ledningen ren (især ventilationshullerne J ②)
- ! **træk stikket ud før rensning**
- Skulle el værktøjet trods omhyggelig fabrikation og kontrol holde op med at fungere, skal reparasjonen utføres af et autoriseret serviceværksted for SKIL-elektroværktøj
 - send den **uskilte** værktøjet sammen med et købsbevis til forhandleren eller nærmeste SKIL serviceværksted (adresser og reservedelstegning af værktøjet findes på www.skil.com)

MILJØ

- **Elværktøj, tilbehør og emballage må ikke bortskaffes som almindeligt affald** (kun for EU-lande)
 - i henhold til det europæiske direktiv 2012/19/EF om bortskaffelse af elektriske og elektroniske produkter og gældende national lovgivning, skal brugt elværktøj indsamles separat og bortskaffes på en måde, der skåner miljøet mest muligt
 - symbolet ⑤ erindrer dig om dette, når udskiftning er nødvendig

STØJ / VIBRATION

- Måles efter EN 60745 er lydtrykniveau af dette værktøj 84 dB(A) og lydeffektniveau 95 dB(A) (standard deviation: 3 dB), og vibrationsniveauet 7,0 m/s² (vektorsum for tre retninger; usikkerhed K = 1,5 m/s²)
- Det vibrationsniveau er målt i henhold til den standardiserede test som anført i EN 60745; den kan benyttes til at sammenligne to stykker værktøj og som en foreløbig bedømmelse af udsættelsen for vibrationer, når værktøjet anvendes til de nævnte formål
 - anvendes værktøjet til andre formål eller med andet eller dårligt vedligeholdt tilbehør, kan dette **øge** udsættelsesniveauet betydeligt
 - de tidsrum, hvor værktøjet er slukket, eller hvor det kører uden reelt at udføre noget arbejde, kan **reducere** udsættelsesniveauet betydeligt
- ! **beskyt dig selv imod virkningerne af vibrationer ved at vedligeholde værktøjet og dets tilbehør, ved at holde dine hænder varme og ved at organisere dine arbejdsmonstre**

N

Stiftemaskin

8200

INTRODUKSJON

- Dette verktøyet er beregnet for stifting og spikring av papp, isolasjonsmateriale, tekstiler, folier, skinn og lignende materialer på overflater i treverk eller tilsvarende materialer
- Verktøyet egner seg ikke for feste på vegg- og takpanel
- Dette verktøyet er ikke beregnet på profesjonell bruk
- Les og ta vare på denne brukerveiledningen ③

TEKNISKE DATA ①

VERKTØYELEMENTER ②

- A Hendel til fylling av magasin
- B Glider
- C Magasin
- D Stiftehode
- E Av/på bryter
- F Utløsningsbryter
- G Velgerhjul for slagregulering
- H Påfyllingsindikator
- J Ventilasjonsåpning

SIKKERHET

GENERELLE ADVARSLER FOR ELEKTROVERKTØY

⚠ ADVARSEL Les alle sikkerhetsanvisningene, instruksjonene, illustrasjonene og spesifikasjonene som følger med dette elektroverktøyet. Manglende overholdelse av anvisningene nedenfor kan medføre elektrisk støt, brann og/eller alvorlige personskader.

Ta godt vare på alle advarslene og informasjonene.

Det nedenstående anvendte uttrykket "elektroverktøy" gjelder for strøm-drevne (med ledning) og batteridrevne elektroverktøy (uten ledning).

1) SIKKERHET PÅ ARBEIDSPLASSEN

- a) **Hold arbeidsområdet rent og ryddig.** Rotete arbeidsområder eller arbeidsområder uten lys kan føre til ulykker.
- b) **Ikke arbeid med elektroverktøyet i eksplosjonsutsatte omgivelser – der det befinner seg brennbare væsker, gass eller støv.** Elektroverktøy lager gnister som kan antenne støv eller damper.
- c) **Hold barn og andre personer unna når elektroverktøyet brukes.** Hvis du blir forstyrret under arbeidet, kan du miste kontrollen over elektroverktøyet.

2) ELEKTRISK SIKKERHET

- a) **Støpselet til elektroverktøyet må passe inn i stikkkontakten. Støpselet må ikke forandres på noen som helst måte. Ikke bruk adapterstøpsler sammen med jordede maskiner.** Bruk av støpsler som ikke er forandret på og passende stikkontakter reduserer risikoen for elektriske støt.
- b) **Unngå kroppskontakt med jordede overflater slik som rør, ovner, komfyrer og kjøleskap.** Det er større fare ved elektriske støt hvis kroppen din er jordet.
- c) **Hold elektroverktøyet unna regn eller fuktighet.** Dersom det kommer vann i et elektroverktøy, øker risikoen for elektriske støt.
- d) **Ikke bruk ledningen til andre formål, f.eks. til å bære elektroverktøyet, henge den opp eller trekke den ut av stikkkontakten. Hold ledningen unna varme, olje, skarpe kanter eller maskindeler som beveger seg.** Med skadede eller opphopede ledninger øker risikoen for elektriske støt.
- e) **Når du arbeider utendørs med et elektroverktøy, må du kun bruke en skjøteledning som er godkjent til utendørs bruk.** Når du bruker en skjøteledning som er egnet for utendørs bruk, reduseres risikoen for elektriske støt.

- f) Hvis det ikke kan unngås å bruke elektroverktøyet i fuktige omgivelser, må du bruke en jordfeilbryter. Bruk av en jordfeilbryter reduserer risikoen for elektriske støt.

3) PERSONSIKKERHET

- a) **Vær oppmerksom, pass på hva du gjør, gå fornuftig frem når du arbeider med et elektroverktøy. Ikke bruk elektroverktøyet når du er trett eller er påvirket av narkotika, alkohol eller medikamenter.** Et øyeblikks uoppmerksomhet ved bruk av elektroverktøyet kan føre til alvorlige skader.
- b) **Bruk personlig verneutstyr og husk alltid å bruke vernebriller.** Bruk av personlig sikkerhetsutstyr som støvmaske, skilfaste arbeidssko, hjelm eller hørselvern – avhengig av type og bruk av elektroverktøyet – reduserer risikoen for skader.
- c) **Unngå å starte verktøyet ved en feiltagelse. Forviss deg om at elektroverktøyet er slått av før du kobler det til strømmen og/eller batteriet, løfter det opp eller bærer det.** Hvis du holder fingeren på bryteren når du bærer elektroverktøyet eller kobler elektroverktøyet til strømmen i innkoblet tilstand, kan dette føre til uhell.
- d) **Fjern innstillingsverktøy eller skrunøkler før du slår på elektroverktøyet.** Et verktøy eller en nøkkel som befinner seg i en roterende maskindel, kan føre til skader.
- e) **Ikke overvurder deg selv. Sørg for å stå stødig og i balanse.** Dermed kan du kontrollere elektroverktøyet bedre i uventede situasjoner.
- f) **Bruk alltid egnede klær. Ikke bruk vide klær eller smykker. Hold hår og klær unna deler som beveger seg.** Løstsittende tøy, smykker eller langt hår kan komme inn i deler som beveger seg.
- g) **Hvis det kan monteres støvavsug- og oppsamlingsinnretninger, må du forvise deg om at disse er tilkoblet og brukes på korrekt måte.** Bruk av et støvavsug reduserer farer på grunn av støv.
- h) **Selv når du er blitt vant til verktøyet, må du ikke bli sløv og ignorere sikkerhetsreglene for verktøyet.** En uforsiktig handling kan forårsake alvorlig personskade i løpet av et brøkdels sekund.

4) AKTSMO HÅNÐTERING OG BRUK AV ELEKTROVERKTØY

- a) **Ikke overbelast elektroverktøyet. Bruk et elektroverktøy som er beregnet til den type arbeid du vil utføre.** Med et passende elektroverktøy arbeider du bedre og sikrere i det angitte effektområdet.
- b) **Ikke bruk elektroverktøy med defekt på-/avbryter.** Et elektroverktøy som ikke lenger kan slås av eller på, er farlig og må repareres.
- c) **Trekk støpselet ut av stikkkontakten og/eller fjern batteriet (hvis demonterbart) før du utfører innstillinger på elektroverktøyet, skifter tilbehørsdeler eller legger elektroverktøyet bort.** Disse tiltakene forhindrer en utilsiktet startung av elektroverktøyet.
- d) **Elektroverktøy som ikke er i bruk må oppbevares utilgjengelig for barn. Ikke la elektroverktøyet brukes av personer som ikke er fortrolig med dette eller ikke har lest disse anvisningene.** Elektroverktøy er farlige når de brukes av uerfarne personer.
- e) **Vær nøye med vedlikeholdet av elektroverktøyet og tilbehøret.** Kontroller om bevegelige maskindeler fungerer feilfritt og ikke klemmes fast, og om deler

er brukket eller skadet, slik at dette innvirker på elektroverktøyet funksjon. La skadede deler repareres før elektroverktøyet brukes. Dårlig vedlikeholdte elektroverktøy er årsaken til mange uhell.

- f) **Hold skjæreverktøyene skarpe og rene.** Godt stelte skjæreverktøy med skarpe skjær setter seg ikke så ofte fast og er lettere å føre.
- g) **Bruk elektroverktøy, tilbehør, verktøy osv. i henhold til disse anvisningene. Ta hensyn til arbeidsforholdene og arbeidet som skal utføres.** Bruk av elektroverktøy til andre formål enn det som er angitt kan føre til farlige situasjoner.
- h) **Hold håndtak og gripeflater tørre, rene og uten olje eller fett.** Glatte håndtak og gripeflater hindrer sikker håndtering og styring av verktøyet i uventede situasjoner.

5) SERVICE

- a) **Maskinen din skal alltid kun repareres av kvalifisert fagpersonale og kun med originale reservedeler.** Slik opprettholdes elektroverktøyet sikkerhet.

SIKKERHETSINSTRUKSJONER FOR STIFTEMASKINER

- **Gå alltid ut fra at verktøyet inneholder klammer** (en ubetenksom bruk av stiftepistolen kan føre til en uventet utskyting av klammer som kan skade deg)
- **Ikke rett verktøyet mot deg selv eller andre personer i nærheten** (en uventet utløsning av en klammer kan medføre skader)
- **Ikke aktiver verktøyet før det er satt godt på arbeidsstykket** (hvis verktøyet ikke har god kontakt med arbeidsstykket, kan klammeren støtes bort fra festestedet)
- **Adskill verktøyet fra strømmen eller batteriet, hvis klammeren klemmer fast i verktøyet** (hvis stiftepistolen er tilkoplet, kan den utløses ved en feiltagelse når du fjerner en fastklemt klammer)
- **Vær forsiktig når du fjerner en klammer som sitter fast** (systemet kan være spent og klammeren kan skytes kraftig ut mens du forsøker å løse den fastklemt klammeren)
- **Ikke bruk denne stiftepistolen til festing av el-ledninger** (den er ikke egnet til installasjon av el-ledninger, kan skade isolasjonen på elledninger og slik forårsake elektriske støt og brannfare)
- **Sett fast arbeidsstykket** (et arbeidsstykke som er sikret med klammer, sitter sikrere enn om det holdes fast for hånd)
- **Dette verktøyet må ikke brukes av barn og personer med fysiske eller sansemessige handicap, eller som er mentalt tilbakestående, eller mangler erfaring og kunnskaper**
- Sørg for at barn ikke får anledning til å leke med verktøyet
- SKIL kan kun garantere et feilfritt verktøy dersom original-tilbehør brukes
- Sjekk alltid at tilført spenningen er den samme som oppgitt på verktøyet merkeplate
- Ungå skade p.g.a. skruer, spiker eller andre elementer i arbeidsstykket; fjernes før man starter jobben
- I tilfelle en elektrisk eller mekanisk svikt, skal verktøyet med en gang slås av og støpselet trekkes ut
- Hvis kabelen skades eller kappes under arbeid må kablen ikke berøres, men støpselet straks trekkes ut

- Bruk ikke verktøyet dersom kabel er skadet; få den skiftet ud af en anerkendt fagmand
- Bruk helt utrullet og sikker skjøteledning med en kapasitet på 16 A

FORKLARING AV SYMBOLER PÅ VERKTØY

- ③ Les instruksjonsboken for bruk
- ④ Dobbeltisolert (ikke nødvendig med jordingsleder)
- ⑤ Kast aldri verktøy i husholdningsavfallet

BRUK

- Fyll på stifter/spiker ⑥
 - ! **trekk ut støpelet av stikkontakten**
 - vend verktøyet opp ned
 - trykk på spaken A mens du trekker glideren B bakover
 - sett stift/spiker-remsen inn i magasinet C med spissene oppover (maks. kapasitet 100 stifter/80 spiker)
 - press glideren B mot stiftehodet D til den smekker i lås
 - når du setter inn en spikerremse (følger ikke med verktøyet) snur du verktøyet slike at spikerremsen hviler mot magasinsiden som indikeres av spikersymbolet på stiftehodet D ⑦
 - fyll på i magasinet C når enden av stifte- eller spikerremsen vises i åpningen H ②
- Bruk av verktøyet ⑧
 - slå verktøyet på ved å skyve bryteren E i stilling "I"
 - trykk stiftehodet D hardt mot arbeidsstykket slik at det presses helt inn
 - trykk kort på bryteren F og slipp den igjen
 - ! **under arbeid, hold verktøyet alltid i grått(gråe) grepsområde(r)**
 - slå verktøyet av ved å skyve bryteren E i stilling "O"
- Slagregulering ⑨
 - Med hjulet G kan man trinnløs justere det nødvendige slagnivået fra minimum til maksimum (- / +)
 - "-" for tynne og lette materialer som folier og tekstiler
 - "+" for tykke og harde materialer som hardt treverk og vegger
 - før du starter med en jobb må du finne det optimale slagnivået ved å prøve på en materialbit

BRUKER TIPS

- Feste plater ⑩
- Feste tekstiler ⑪
- For stifting i hardt tre skal du bruke kortere stifter enn de som følger med verktøyet
- Unngå å skyte uten stifter/spiker, for å redusere slitasjen på slagmekanismen
- Se flere tips på www.skil.com

VEDLIKEHOLD / SERVICE

- Dette verktøyet er ikke beregnet på profesjonell bruk
- Hold alltid verktøyet og kabelen ren (spesielt ventilasjonshullene J ⑫)
- ! **dra ut støpelet for rengjøring**
- Hvis elektroverktøyet til tross for omhyggelige produksjons- og kontrollmetoder en gang skulle svikte, må reparasjonen utføres av et autorisert serviceverksted for SKIL-elektroverktøy
 - send verktøyet i **montert** tilstand sammen med kjøpebevis til forhandleren eller nærmeste SKIL servicesenter (adresser liksom service diagram av verktøyet finner du på www.skil.com)

MILJØ

- **Kast aldri elektroverktøy, tilbehør og emballasje i husholdningsavfallet** (kun for EU-land)
 - i henhold til EU-direktiv 2012/19/EF om kasserte elektriske og elektroniske produkter og direktivets iverksetting i nasjonal rett, må elektroverktøy som ikke lenger skal brukes, samles separat og returneres til et miljøvennlig gjenvinningsanlegg
 - symbolet ⑤ er påtrykt som en påminnelse når utskiftning er nødvendig

STØY / VIBRASJON

- Målt ifølge EN 60745 er lydtryknivået av dette verktøyet 84 dB(A) og lydstyrkenivået 95 dB(A) (standard deviasjon: 3 dB), og vibrasjonsnivået 7,0 m/s² (vektorsum fra tre retninger; usikkerhet K = 1,5 m/s²)
- Det avgitte vibrasjonsnivået er blitt målt i samsvar med en standardisert test som er angitt i EN 60745; den kan brukes til å sammenligne et verktøy med et annet, og som et foreløpig overslag over eksponering for vibrasjoner ved bruk av verktøyet til de oppgavene som er nevnt
 - bruk av verktøyet til andre oppgaver, eller med annet eller mangelfullt vedlikeholdt utstyr, kan gi en vesentlig **økning** av eksponeringsnivået
 - tidsrommene når verktøyet er avslått eller når det går men ikke arbeider, kan gi en vesentlig **reduksjon** av eksponeringsnivået
- ! **beskytt deg selv mot virkningene av vibrasjoner ved å vedlikeholde verktøyet og utstyret, holde hendene varme og organisere arbeidsmåten din**

FIN

Sinkilåpistol

8200

ESITTELY

- Koneet on tarkoitettu pahvin, eristeen, kankaan, folion, nahan ja vastaavien materiaalien nitomiseen ja naulaamiseen puuhun tai puun kaltaisiin materiaaleihin
- Työkalu ei sovi seinä- ja kattopaneloinnin kiinnittämiseen
- Tätä työkalua ei ole tarkoitettu ammattikäyttöön
- Lue ja säilytä tämä ohjekirja ③

TEKNISET TIEDOT ①

LAITTEEN OSAT ②

- A Lippaan vipu
- B Luisti
- C Lipas
- D Niittipyssyn pää
- E Virtakytkin
- F Kytkin
- G Iskunsäädön valintapyörä
- H Lataa ilmaisiin uudelleen
- J Ilmanvaihto-aukot

TURVALLISUUS

YLEISET SÄHKÖTYÖKALUJEN TURVALLISUUTEEN LIITTYVÄT VAROITUKSET

VAROITUS Lue kaikki tämän sähkötyökalun mukana toimitetut varoitukset, ohjeet, kuvat ja tekniset tiedot. Alla mainittujen ohjeiden noudattamisen laiminlyönti saattaa aiheuttaa sähköiskun, tulipalon ja/tai vakavan loukkaantumisen.

Säilytä kaikki turvallisuus- ja muut ohjeet tulevaisuutta varten.

Turvallisuusohjeissa käytetty käsite ”sähkötyökalu” käsittää verkkokäyttöisiä sähkötyökaluja (verkkojohdolla) ja akkukäyttöisiä sähkötyökaluja (ilman verkkojohtoa).

1) TYÖPAIKAN TURVALLISUUS

- Pidä työskentelyalue puhtaana ja hyvin valaistuna.** Työpaikan epäjärjestys tai valaisemattomat työalueet voivat johtaa tapaturmiin.
- Älä työskentele sähkötyökalulla räjähdyksalttiissa ympäristössä, jossa on palavaa nestettä, kaasua tai pölyä.** Sähkötyökalu muodostaa kipinöitä, jotka saattavat sytyttää pölyn tai höyryt.
- Pidä lapset ja sivulliset loitolla sähkötyökalua käyttäessäsi.** Voit menettää laitteesi hallinnan, huomioi suuntautuessa muualle.

2) SÄHKÖTURVALLISUUS

- Sähkötyökalun pistotulpan tulee sopia pistorasiaan.** Pistotulppaa ei saa muuttaa millään tavalla. Älä käytä mitään pistorasia-adaptoreita maadoitettujen sähkötyökalujen kanssa. Alkuperäisessä kunnossa olevat pistotulpat ja sopivat pistorasiat vähentävät sähköiskun vaaraa.
- Vältä koskettamasta maadoitettuja pintoja, kuten putkia, pattereita, liesiä tai jääkaappeja.** Sähköiskun vaara kasvaa, jos kehosi on maadoitettu.
- Älä aseta sähkötyökalua alttiiksi sateelle tai kosteudelle.** Veden tunkeutuminen sähkötyökalun sisään kasvattaa sähköiskun riskiä.
- Älä käytä verkkojohtoa väärin. Älä käytä sitä sähkötyökalun kantamiseen, vetämiseen tai pistotulpan irrottamiseen pistorasiasta.** Pidä johto loitolla kuumuudesta, öljyistä, terävistä reunoista ja liikkuvista osista. Vahingoittuneet tai sotkeutuneet johdot kasvattavat sähköiskun vaaraa.
- Käyttäessäsi sähkötyökalua ulkona, käytä ainoastaan ulkokäyttöön soveltuvaa jatkojohtoa.** Ulkokäyttöön soveltuvan jatkojohdon käyttö pienentää sähköiskun vaaraa.
- Jos sähkötyökalun käyttö kosteassa ympäristössä ei ole välttämättä, tulee käyttää maavuotokatsisijaa.** Maavuotokatsisijan käyttö vähentää sähköiskun vaaraa.

3) HENKILÖTURVALLISUUS

- Ole valpas, kiinnitä huomiota työskentelyysi ja noudata tervettä järkeä sähkötyökalua käyttäessäsi.** Älä käytä sähkötyökalua, jos olet väsynyt tai huumeiden, alkoholin tahi lääkkeiden vaikutuksen alaisena. Hetken tarkkaamattomuus sähkötyökalua käytettäessä, saattaa johtaa vakavaan loukkaantumiseen.

- Käytä suojavarusteita. Käytä aina suojalaseja.** Henkilökohtaisen suojavarustuksen käyttö, kuten pölynaamarin, luistamattomien turvakenkien, suojakypärän tai kuulonsuojaimien, riippuen sähkötyökalun lajista ja käyttötavasta, vähentää loukkaantumisriskiä.
 - Vältä tahatonta käynnistämistä. Varmista, että sähkötyökalu on poiskytketty, ennen kuin liität sen sähköverkkoon ja/tai liität akun, otat sen käteen tai kannat sitä.** Jos kannat sähkötyökalua sormi käynnistyskytkimellä tai kytket sähkötyökalun pistotulpan pistorasiaan, käynnistyskytkimen ollessa käyntiasennossa, altistat itsesi onnettomuuksille.
 - Poista kaikki säätötyökalut ja ruuvitalat, ennen kuin käynnistät sähkötyökalun.** Työkalu tai avain, joka sijaitsee laitteen pyörivässä osassa, saattaa johtaa loukkaantumiseen.
 - Älä yliarvioi itseäsi. Huolehdi aina tukevasta seisoma-asennosta ja tasapainosta.** Täten voit paremmin hallita sähkötyökalua odottamattomissa tilanteissa.
 - Käytä tarkoitukseen soveltuvia vaatteita. Älä käytä löysiä työvaatteita tai koruja. Pidä hiukset ja vaatteet poissa liikkuvien osien ulottuvilta.** Välijät vaatteet, korut ja pitkät hiukset voivat takertua liikkuviin osiin.
 - Jos pölynimu- ja keräilylaitteita voidaan asentaa, tulee sinun tarkistaa, että ne on liitetty ja että ne käytetään oikealla tavalla.** Pölynimulaitteiston käyttö vähentää pölyn aiheuttamia vaaroja.
 - Työskentele keskittyneesti ja noudata aina turvallisuusmääräyksiä.** etkellinenkin huolimattomuus voi aiheuttaa vakavia vammoja.
- ### 4) SÄHKÖTYÖKALUJEN KÄYTTÖ JA HOITO
- Älä ylikuormita laitetta. Käytä kypseeseen työhön tarkoitettua sähkötyökalua.** Sopivaa sähkötyökalua käyttäen työskentelet paremmin ja varmemmin tehoalueella, jolle sähkötyökalu on tarkoitettu.
 - Älä käytä sähkötyökalua, jota ei voida käynnistää ja pysäyttää käynnistyskytkimestä.** Sähkötyökalu, jota ei enää voida käynnistää ja pysäyttää käynnistyskytkimellä, on vaarallinen ja se täytyy korjata.
 - Irrota pistotulppa pistorasiasta ja/tai irrota akku (jos irrotettava) sähkötyökalusta, ennen kuin suoritat säätöjä, vaihdat tarvikkeita tai viet sähkötyökalun varastoon.** Nämä turvatoimenpiteet pienentävät sähkötyökalun tahattoman käynnistysriskin.
 - Säilytä sähkötyökalut poissa lasten ulottuvilta, kun niitä ei käytetä. Älä anna sellaisten henkilöiden käyttää sähkötyökalua, jotka eivät tunne sitä tai jotka eivät ole lukeneet tätä käyttöohjetta.** Sähkötyökalut ovat vaarallisia, jos niitä käyttävät kokemattomat henkilöt.
 - Pidä sähkötyökalut ja tarvikkeet hyvässä kunnossa.** Tarkista, että liikkuvat osat toimivat moitteettomasti, eivätkä ole puristuksessa sekä, että siinä ei ole murtuneita tai vahingoittuneita osia, jotka saattaisivat vaikuttaa haitallisesti sähkötyökalun toimintaan. Anna korjauttaa mahdolliset viat ennen käyttöönottoa. Monen tapaturman syyt löytyvät huonosti huolletuista laitteista.

- f) **Pidä leikkausterät terävinä ja puhtaina.** Huolellisesti hoidetut leikkaustyökalut, joiden leikkausreunat ovat teräviä, eivät tartu helposti kiinni ja niitä on helpompi hallita.
- g) **Käytä sähkötyökaluja, tarvikkeita, vaihtotyökaluja jne. näiden ohjeiden mukaisesti. Ota tällöin huomioon työolosuhteet ja suoritettava toimenpide.** Sähkötyökalun käyttö muuhun kuin sille määrättyyn käyttöön, saattaa johtaa vaarallisiin tilanteisiin.
- h) **Pidä kahvat ja kädensijat kuivina ja puhtaina (öljyttöminä ja rasvattomina).** Jos kahvat ja kädensijat ovat liukkaita, et pysty ylläpitävissä tilanteissa ohjaamaan ja hallitsemaan työkalua turvallisesti.
- 5) **HUOLTO**
- a) **Anna koulutettujen ammattihenkilöiden korjata sähkötyökalusi ja hyväksy korjauksiin vain alkuperäisiä varaosia.** Täten varmistat, että sähkötyökalu säilyy turvallisena.

SINKILÄPISTOOLIEEN TURVALLISUUSOHJEET

- **Lähde aina olettamuksesta, että työkalussa on sinkilöitä** (sinkiläpistooliin huoleton käsittely saattaa johtaa tahattomasti ammutuihin sinkilöihin ja loukkaantumiseen)
- **Älä suuntaa työkalua itseesi tai muihin lähellä oleviin henkilöihin** (tahaton laukaisu vapauttaa sinkilän, mikä saattaa johtaa loukkaantumiseen)
- **Älä käytä työkalua, ennen kuin se on tiukasti kiinni työkappaleessa** (jos työkalu ei ole kiinni työkappaleessa, saattaa sinkilä kimmota kiinnityskohdasta)
- **Irrota työkalu verkosta tai irrota akku, jos sinkilä on jäänyt puristukseen työkaluun** (jos sinkiläpistooli on liitettynä käyttöjännitteeseen, saattaa se, puristukseen jäänyt sinkilä irrotettaessa, vahingossa laueta)
- **Ole varovainen, kun poistat puristukseen jäänyttä sinkilää** (järjestelmä saattaa olla jännittynyt, jolloin se laukaisee sinkilän voimakkaasti, kun koetat poistaa juuttumisen)
- **Älä käytä tätä sinkiläpistoolia sähköjohtojen kiinnittämiseen** (se ei sovellu sähköjohtojen asennukseen, sähköjohtojen eriste saattaa vahingoittua, jolloin muodostuu sähköiskun ja tulipalon vaara)
- **Kiinnitä työstettävä kappale** (kiinnittimeen tai puristimeen kiinnitetty työstettävä kappale pysyy tukevammin paikoillaan kuin käsin pidettäessä)
- **Tätä työkalua ei ole tarkoitettu lasten ja henkilöiden käyttöön, joiden fyysinen, sensorinen tai henkinen vireys on rajoittunut tai joilla ei ole kokemusta ja tietämystä**
- Varmista, etteivät lapset leiki laitteella
- SKIL pystyy takaamaan työkalun moitteettoman toiminnan vain, kun käytetään alkuperäisiä tarvikkeita
- Tarkista aina, että syöttöjännite on sama kuin työkalun nimiltaan osoittama jännite
- Vältä vaaralliset vahingot, jotka voivat aiheutua nauloista, ruuveista tai muista aineista työstettävässä materiaalissa; poista ne ennen työskentelyn aloittamista
- Jos huomaat sähköisen tai mekaanisen vian, sammuta kone heti ja irrota liitosjohto pistorasiasta
- Jos sähköjohto vahingoittuu tai katkeaa työn aikana ei johtoa saa koskettaa, vaan pistotulppa on välittömästi irrotettava pistorasiasta

- Älä käytä työkalua, kun johto on vioittunut; vaan toimita se valtuutettuun huoltoilikeeseen
 - Käytä täysin rullaamattomia ja turvallisia jatkejohtoja, joiden kapasiteetti on 16 ampeeria
- TYÖKALUN SYMBOLIEN SELITYKSET**
- ③ Lue käyttöohjeet ennen käyttöä
- ④ Kaksoiseristys (ei tarvita maajohtoa)
- ⑤ Älä hävitä konetta tavallisen kotitalousjätteen mukana

KÄYTTÖ

- Niittien/naulojen lataaminen ⑥
- ! **vedä pistoke pistorasiasta**
 - käännä kone ylösalaisin
 - paina vipua A samalla kun vedät luistia B taaksepäin
 - työhön niitti-/naulalista lippaaseen C siten, että piikit osoittavat ylöspäin (maksimikapasiteetti 100 niittiä/80 nauলাa)
 - työhön luisti B niittipyssyn päätä vasten D, kunnes se napsahtaa lukkoon
 - kun lataat työkaluun nauvoja (eivät sisälly toimitukseen), kallista työkalua siten, että naulalista lepää lippaan sitä puolta vasten, jossa on naulan merkki niittipyssyn päässä D ⑦
 - lataa makasiini uudelleen C pinnon lopussa - tai naularivi näkyy aukossa H ②
- Työkalun käyttö ⑧
 - käynnistä kone painamalla kytkin E asentoon "I"
 - paina niittipyssyn pää tukevasti D työstettävää kappaletta vasten, kunnes se työntyy kokonaan sisään
 - paina kytkintä lyhyesti F ja vapauta se uudelleen
 - ! **pidä työkalusta kiinni aina työskentelyn aikana harmaan värisestä kädensijasta (oi)sta**
 - sammuta kone painamalla kytkin E asentoon "O"
- Iskunsäätö ⑨
 - Valintapyörän G avulla haluttu iskunsäätö voidaan säätää portaattomasti minimistä maksimiin (- / +)
 - "+" on tarkoitettu ohuille ja kevyille materiaaleille kuten foliolle ja kankaalle
 - "+" on tarkoitettu paksuille ja kovalle materiaaleille kuten jalopuulle ja seinille
 - etsi optimaalinen iskunsäätötaso testaamalla iskunsäätötasoa ylimääräiseen kappaleeseen ennen työn aloittamista

VINKKEJÄ


- Kiinnityspaneelit ⑩
- Tekstiilin kiinnittäminen ⑪
- Käytä kovan puun nitomisessa lyhyempiä niittejä kuin työkalun mukana tulleet
- Vältä huteja, jotta kangas ei kulu iskun voimasta
- Lisävinkkejä on tarjolla web-osoitteessa www.skil.com

HOITO / HUOLTO

- Tätä työkalua ei ole tarkoitettu ammattikäyttöön
- Pidä työkalu ja johto puhtaina (varmistu erityisesti ilma-aukkojen puhtaus J ②)
- ! **irrota liitosjohto aina puhdistuksen ajaksi pistorasiasta**

- Jos sähkötyökalussa, huolellisesta valmistuksesta ja koestusmenettelystä huolimatta esiintyy vikaa, tulee korjaus antaa SKIL sopimushuollon tehtäväksi
 - toimita työkalu sitä osiin **purkamatta** lähimpään SKIL-huoltoon (osoitteet ja työkalun huoltokaava ovat tarjolla web-osoitteessa www.skil.com) ostotodiste mukaan liitettynä

YMPÄRISTÖSUOJELU

- **Älä hävitä sähkötyökalua, tarvikkeita tai pakkausta tavallisen kotitalousjätteen mukana** (koskee vain EU-maita)
 - vanhoja sähkö- ja elektroniikkalaitteita koskevan EU-direktiivin 2012/19/ETY ja sen maakohtaisten sovellusten mukaisesti käytetyt sähkötyökalut on toimitettava ongelmajätteen keräyspisteeseen ja ohjattava ympäristöstävälliseen kierrätykseen
 - symboli  muistuttaa tästä, kun käytöstä poisto tulee ajankohtaiseksi

MELU / TÄRINÄ


- Mitattuna EN 60745 mukaan työkalun melutaso on 84 dB(A) ja yleensä työkalun äänen voimakkuus on 95 dB(A) (keskihajonta: 3 dB), ja tärinän voimakkuus 7,0 m/s² (kolmen suunnan vektorisumma; epävarmuus K = 1,5 m/s²)
 - Tärinäsaiteilytaso on mitattu standardin EN 60745 mukaisen standarditestin mukaisesti; sitä voidaan käyttää verrattaessa yhtä laitetta toiseen sekä alustavana tärinälle altistumisen arviona käytettäessä laitetta manituissa käyttötarkoituksissa
 - laitteen käyttö eri käyttötarkoituksiin tai erilaisten tai huonosti ylläpidettyjen lisälaitteiden kanssa voi **lisätä** merkittävästi altistumistasoa
 - laitteen ollessa sammuksissa tai kun se on käynnissä, mutta sillä ei tehdä työtä, altistumistaso voi olla huomattavasti **pienempi**
- ! suojaudu tärinän vaikutuksilta ylläpitämällä laite ja sen lisävarusteet, pitämällä kädet lämpiminä ja järjestämällä työmenetelmät**

E

Grapadora

8200

INTRODUCCIÓN

- Esta herramienta está pensada para grapar y clavar cartón, material aislante, tejidos, hoja de metal, cuero y materiales similares sobre superficies de madera o materiales similares a la madera
- La herramienta no es apta para fijar paneles en paredes o techos
- Esta herramienta no está concebida para uso profesional
- Lea y conserve este manual de instrucciones 


DATOS TÉCNICOS

ELEMENTOS DE LA HERRAMIENTA

- A Palanca para cargar el cargador
- B Corredera
- C Cargador
- D Cabezal de apoyo
- E Interruptor de activación/desactivación
- F Interruptor de gatillo
- G Rueda de ajuste de la fuerza de impacto
- H Indicador de recarga
- J Ranuras de ventilación

SEGURIDAD

ADVERTENCIAS DE PELIGRO GENERALES PARA HERRAMIENTAS ELÉCTRICAS

 **ADVERTENCIA** Lea íntegramente las advertencias de peligro, las instrucciones, las ilustraciones y las especificaciones entregadas con esta herramienta eléctrica. En caso de no atenderse a las instrucciones siguientes, ello puede ocasionar una descarga eléctrica, un incendio y/o una lesión grave.

Guardar todas las advertencias de peligro e instrucciones para futuras consultas.

El término “herramienta eléctrica” empleado en las siguientes advertencias de peligro se refiere a herramientas de conexión a la red (con cable de red) y a herramientas eléctricas accionadas por acumulador (o sea, sin cable de red).

1) SEGURIDAD DEL PUESTO DE TRABAJO

- a) **Mantenga limpia y bien iluminada su área de trabajo.** El desorden o una iluminación deficiente en las áreas de trabajo pueden provocar accidentes.
- b) **No utilice la herramienta eléctrica en un entorno con peligro de explosión, en el que se encuentren combustibles líquidos, gases o material en polvo.** Las herramientas eléctricas producen chispas que pueden llegar a inflamar los materiales en polvo o vapores.
- c) **Mantenga alejados a los niños y otras personas de su área de trabajo al emplear la herramienta eléctrica.** Una distracción le puede hacer perder el control sobre la herramienta.

2) SEGURIDAD ELÉCTRICA

- a) **El enchufe de la herramienta eléctrica debe corresponder a la toma de corriente utilizada. No es admisible modificar el enchufe en forma alguna. No emplear adaptadores en herramientas eléctricas dotadas con una toma de tierra.** Los enchufes sin modificar adecuados a las respectivas tomas de corriente reducen el riesgo de una descarga eléctrica.
- b) **Evite que su cuerpo toque partes conectadas a tierra como tuberías, radiadores, cocinas y refrigeradores.** El riesgo a quedar expuesto a una descarga eléctrica es mayor si su cuerpo tiene contacto con tomas de tierra.
- c) **No exponga las herramientas eléctricas a la lluvia o a condiciones de humedad.** Existe el peligro de recibir una descarga eléctrica si penetran líquidos en la herramienta eléctrica.

- d) **No utilice el cable de red para transportar o colgar la herramienta eléctrica, ni tire de él para sacar el enchufe de la toma de corriente. Mantenga el cable de red alejado del calor, aceite, esquinas cortantes o piezas móviles.** Los cables de red dañados o enredados pueden provocar una descarga eléctrica.
- e) **Al trabajar con la herramienta eléctrica en la intemperie utilice solamente cables de prolongación homologados para su uso en exteriores.** La utilización de un cable de prolongación adecuado para su uso en exteriores reduce el riesgo de una descarga eléctrica.
- f) **Si el funcionamiento de una herramienta eléctrica en un lugar húmedo fuese inevitable, utilice un cortacircuito de fuga a tierra.** El uso de un cortacircuito de fuga a tierra reduce el riesgo de descarga eléctrica.

3) SEGURIDAD DE PERSONAS

- a) **Esté atento y emplee la herramienta eléctrica con prudencia. No utilice la herramienta eléctrica si estuviese cansado, ni bajo los efectos de alcohol, drogas o medicamentos.** El no estar atento durante el uso de una herramienta eléctrica puede provocarle serias lesiones.
- b) **Utilice un equipo de protección personal y en todo caso unas gafas de protección.** El riesgo a lesionarse se reduce considerablemente si, dependiendo del tipo y la aplicación de la herramienta eléctrica empleada, se utiliza un equipo de protección adecuado como una mascarilla antipolvo, zapatos de seguridad con suela antideslizante, casco, o protectores auditivos.
- c) **Evite una puesta en marcha fortuita. Asegurarse de que la herramienta eléctrica esté desconectada antes de conectarla a la toma de corriente y/o al montar el acumulador, al recogerla, y al transportarla.** Si transporta la herramienta eléctrica sujetándola por el interruptor de conexión/desconexión, o si introduce el enchufe en la toma de corriente con la herramienta eléctrica conectada, ello puede dar lugar a un accidente.
- d) **Retire las herramientas de ajuste o llaves fijas antes de conectar la herramienta eléctrica.** Una herramienta o llave colocada en una pieza rotativa puede producir lesiones graves al accionar la herramienta eléctrica.
- e) **Sea precavido. Trabaje sobre una base firme y mantenga el equilibrio en todo momento.** Ello le permitirá controlar mejor la herramienta eléctrica en caso de presentarse una situación inesperada.
- f) **Lleve puesta una vestimenta de trabajo adecuada. No utilice vestimenta amplia ni joyas. Mantenga su pelo y vestimenta alejados de las piezas móviles.** La vestimenta suelta, las joyas y el pelo largo se pueden enganchar con las piezas en movimiento.
- g) **Siempre que sea posible utilizar equipos de aspiración o captación de polvo, asegúrese que éstos estén montados y que sean utilizados correctamente.** El empleo de estos equipos reduce los riesgos derivados del polvo.
- h) **No permita que la familiaridad ganada por el uso frecuente de la herramienta eléctrica lo deje creer seguro e ignorar las normas de seguridad.** Una acción negligente puede causar lesiones graves en una fracción de segundo.

4) CUIDADO Y UTILIZACIÓN DE HERRAMIENTAS ELÉCTRICAS

- a) **No sobrecargue la herramienta eléctrica. Use la herramienta eléctrica prevista para el trabajo a realizar.** Con la herramienta eléctrica adecuada podrá trabajar mejor y con mayor seguridad dentro del margen de potencia indicado.
 - b) **No utilice herramientas eléctricas con un interruptor defectuoso.** Las herramientas eléctricas que no se puedan conectar o desconectar son peligrosas y deben repararse.
 - c) **Saque el enchufe de la red y/o retire el acumulador desmontable de la herramienta eléctrica, antes de realizar un ajuste, cambiar de accesorio o al guardar la herramienta eléctrica.** Esta medida preventiva reduce el riesgo de conectar accidentalmente la herramienta eléctrica.
 - d) **Guarde las herramientas eléctricas fuera del alcance de los niños y de las personas que no estén familiarizadas con su uso.** Las herramientas eléctricas utilizadas por personas inexpertas son peligrosas.
 - e) **Cuide la herramienta eléctrica y los accesorios con esmero. Controle si funcionan correctamente, sin atascarse, las partes móviles de la herramienta eléctrica, y si existen partes rotas o deterioradas que pudieran afectar al funcionamiento de la herramienta eléctrica. Si la herramienta eléctrica estuviese defectuosa haga repararla antes de volver a utilizarla.** Muchos de los accidentes se deben a herramientas eléctricas con un mantenimiento deficiente.
 - f) **Mantenga los útiles limpios y afilados.** Los útiles mantenidos correctamente se dejan guiar y controlar mejor.
 - g) **Utilice herramientas eléctricas, accesorios, útiles, etc. de acuerdo con estas instrucciones, teniendo en cuenta las condiciones de trabajo y la tarea a realizar.** El uso de herramientas eléctricas para trabajos diferentes de aquellos para los que han sido concebidas puede resultar peligroso.
 - h) **Mantenga las empuñaduras y las superficies de las empuñaduras secas, limpias y libres de aceite y grasa.** Las empuñaduras y las superficies de las empuñaduras resbaladizas no permiten un manejo y control seguro de la herramienta eléctrica en situaciones imprevistas.
- ### 5) SERVICIO
- a) **Únicamente haga reparar su herramienta eléctrica por un profesional, empleando exclusivamente piezas de repuesto originales.** Solamente así se mantiene la seguridad de la herramienta eléctrica.

INSTRUCCIONES DE SEGURIDAD PARA GRAPADORAS

- **Siempre proceda considerando que la herramienta va cargada con grapas** (al manejar despreocupadamente la grapadora pueden salir disparadas inesperadamente grapas y lesionarle)
- **No dirija la herramienta contra Ud. ni contra otras personas situadas en la proximidad** (al accionar el gatillo por descuido puede que resulte dañado por la grapa expulsada)

- **No accione la herramienta antes de haberla asentado firmemente contra la pieza de trabajo** (si la herramienta no tiene contacto con la pieza de trabajo puede que la grapa resulte rebotada)
- **Desconecte la herramienta de la red, o retire el acumulador de la misma, si la grapa se ha atascado en la herramienta** (una grapadora conectada a la alimentación puede llegar a ser accionada fortuitamente al tratar de retirar la grapa obstruida)
- **Preste atención al retirar una grapa atascada** (puede que el mecanismo esté tenso y la grapa salga bruscamente expulsada al tratar de eliminar la obstrucción)
- **No utilice esta grapadora para sujetar conductores eléctricos** (no es apropiada para la instalación de conductores eléctricos, por lo que puede dañar el aislamiento de los cables y provocar una electrocución o un incendio)
- **Asegure la pieza de trabajo** (una pieza de trabajo fijada con unos dispositivos de sujeción o en un tornillo de banco, se mantiene sujeta de forma mucho más segura que con la mano)
- **Esta herramienta no está pensada para ser utilizada por niños y personas con capacidades físicas, sensoriales o mentales disminuidas o falta de experiencia y conocimientos**
- Asegúrese de que los niños no jueguen con la herramienta
- SKIL únicamente puede garantizar un funcionamiento correcto de la herramienta al emplear accesorios originales
- Compruebe siempre que la tensión de alimentación es la misma que la indicada en la placa de características de la herramienta
- Evite los daños que puedan causar los tornillos, clavos y otros objetos sobre la pieza de trabajo; retírelos antes de empezar a trabajar
- En el caso de que se produjera un mal funcionamiento eléctrico o mecánico, apague inmediatamente la herramienta y desconecte el enchufe
- Si llega a dañarse o cortarse el cable eléctrico durante el trabajo, no tocar el cable, sino extraer inmediatamente el enchufe de la red
- No utilizar la herramienta cuando el cable esté dañado; hágalo cambiar por una persona calificada
- Utilice cables de extensión seguros y completamente desenrollados con una capacidad de 16 amperios

EXPLICACIÓN DE LOS SÍMBOLOS DE LA HERRAMIENTA

- ③ Lea el manual de instrucciones antes de utilizarla
- ④ Doble aislamiento (no requiere cable de tierra)
- ⑤ No deseche la herramienta junta con los residuos domésticos

USO

- Cargando grapas/clavos ⑥
- ! **desenchufar la herramienta**
- volve la herramienta al revés
- pulse la palanca A mientras empuja la corredera B hacia atrás

- introduzca la tira de grapas/clavos en el cargador C con las puntas hacia arriba (capacidad máxima 100 grapas/80 clavos)
- empuje la corredera B contra el cabezal de apoyo D hasta que se cierre
- cuando introduzca una tira de clavos (no suministrada con la herramienta) incline la herramienta de forma que la tira de clavos se apoye en el lateral del cargador que corresponde al símbolo de clavos en el cabezal de apoyo D ⑦
- rellene el cargador C cuando el extremo de la tira de grapas o clavos asome por la abertura H ②
- Utilización de la herramienta ⑧
 - encienda la herramienta empujando el interruptor E a la posición "I"
 - presione firmemente el cabezal de apoyo D contra la pieza de trabajo hasta que haya penetrado por completo
 - pulse brevemente el interruptor F y luego libérela nuevamente
- ! **durante el trabajo, sujete siempre la herramienta por la(s) zona(s) de empuñadura de color gris**
- apague la herramienta empujando el interruptor E a la posición "O"
- Fuerza de impacto ⑨
 - Con la rueda G puede regularse, sin escalonamientos, el nivel de impacto requerido desde la posición mínima hasta la máxima (- / +)
 - "-" para materiales ligeros y delgados tales como hojas y tejidos finos
 - "+" para materiales gruesos y fuertes tales como maderas duras y paredes
 - antes de empezar un trabajo, encuentre el nivel de impacto óptimo probando en material sobrante


CONSEJOS DE APLICACIÓN

- Fijación de paneles ⑩
- Fijar tejidos ⑪
- Para grapar madera dura, utilice grapas más cortas que las que se suministran con la herramienta
- Evite hacer disparos en vacío para evitar que la herramienta pierda potencia de impacto
- Para más consejos vea www.skil.com

MANTENIMIENTO / SERVICIO

- Esta herramienta no está concebida para uso profesional
- Mantenga limpio el cable eléctrico y la herramienta (sobre todo las ranuras de ventilación J ②)
- ! **desenchufar la herramienta antes de limpiar**
- Si a pesar de los esmerados procesos de fabricación y control, la herramienta llegase a averiarse, la reparación deberá encargarse a un servicio técnico autorizado para herramientas eléctricas SKIL
 - envíe la herramienta **sin desmontar** junto con una prueba de su compra a su distribuidor o a la estación de servicio más cercana de SKIL (los nombres así como el despiece de piezas de la herramienta figuran en www.skil.com)

AMBIENTE

- **No deseche las herramientas eléctricas, los accesorios y embalajes junto con los residuos domésticos** (sólo para países de la Unión Europea)
 - de conformidad con la Directiva Europea 2012/19/CE sobre residuos de aparatos eléctricos y electrónicos y su aplicación de acuerdo con la legislación nacional, las herramientas eléctricas cuya vida útil haya llegado a su fin se deberán recoger por separado y trasladar a una planta de reciclaje que cumpla con las exigencias ecológicas
 - símbolo  llamará su atención en caso de necesidad de tirarlas

RUIDOS / VIBRACIONES

- Medido según EN 60745 el nivel de la presión acústica de esta herramienta se eleva a 84 dB(A) y el nivel de la potencia acústica a 95 dB(A) (desviación estándar: 3 dB), y la vibración a 7,0 m/s² (suma vectorial de tres direcciones; incertidumbre K = 1,5 m/s²)
 - El nivel de emisión de vibraciones ha sido medido según una prueba estándar proporcionada en EN 60745; puede utilizarse para comparar una herramienta con otra y como valoración preliminar de la exposición a las vibraciones al utilizar la herramienta con las aplicaciones mencionadas
 - al utilizarla para distintas aplicaciones o con accesorios diferentes o con un mantenimiento deficiente, podría **augmentar** de forma notable el nivel de exposición
 - en las ocasiones en que se apaga la herramienta o cuando está funcionando pero no está realizando ningún trabajo, se podría **reducir** el nivel de exposición de forma importante
- ! protéjase contra los efectos de la vibración realizando el mantenimiento de la herramienta y sus accesorios, manteniendo sus manos calientes y organizando sus patrones de trabajo**




P

Agrafador

8200

INTRODUÇÃO

- Esta ferramenta serve para agrafar e pregar cartão, material de isolamento, tecidos, lâminas, cabedal e materiais similares em superfícies de madeira ou materiais similares à madeira
- A ferramenta não é adequado para o acessório da parede e os painéis do tecto
- Esta ferramenta não se destina a utilização profissional
- Leia e guarde este manual de instruções 

DADOS TÉCNICOS

ELEMENTOS DA FERRAMENTA

- A Alavanca para colocação do carregador
- B Corrediça
- C Carregador
- D Cabeça do agrafador
- E Interruptor para ligar/desligar
- F Gatilho
- G Roda de selecção de controlo do impacto
- H Indicador de recarga
- J Aberturas de ventilação

SEGURANÇA

INDICAÇÕES GERAIS DE SEGURANÇA PARA FERRAMENTAS ELÉTRICAS

⚠ ATENÇÃO Devem ser lidas todas as indicações de segurança, instruções, ilustrações e especificações desta ferramenta eléctrica. O desrespeito das instruções apresentadas abaixo pode causar choque elétrico, incêndio e/ou graves lesões.

Guarde bem todas as advertências e instruções para futura referência.

O termo “ferramenta eléctrica” utilizado a seguir nas indicações de advertência, refere-se a ferramentas eléctricas operadas com corrente de rede (com cabo de rede) e a ferramentas eléctricas operadas com acumulador (sem cabo de rede).

1) SEGURANÇA DA ÁREA DE TRABALHO

- Mantenha a sua área de trabalho limpa e arrumada.** Desordem ou áreas de trabalho com fraca iluminação podem causar acidentes.
- Não trabalhar com a ferramenta eléctrica em áreas com risco de explosão, nas quais se encontrem líquidos, gases ou pós inflamáveis.** Ferramentas eléctricas produzem faíscas que podem provocar a ignição de pó e vapores.
- Mantenha crianças e outras pessoas afastadas da ferramenta eléctrica durante o trabalho com a ferramenta.** Distrações podem causar a falta de controle sobre o aparelho.

2) SEGURANÇA ELÉTRICA

- A ficha da ferramentas eléctricas devem caber na tomada. A ficha não deve ser modificada de modo algum. Não utilize quaisquer fichas de adaptação junto com ferramentas eléctricas ligadas à terra.** Fichas sem modificações e tomadas adequadas reduzem o risco de choques eléctricos.
- Evite que o corpo entre em contacto com superfícies ligadas à terra, como por exemplo tubos, radiadores, fogões e geladeiras.** Há um risco elevado de choques eléctricos, caso o corpo for ligado à terra.
- A ferramenta eléctrica não deve ser exposta à chuva nem humidade.** A penetração de água na ferramenta eléctrica aumenta o risco de choques eléctricos.
- O cabo do aparelho não deve ser utilizado para o transporte, para pendurar o aparelho, nem para puxar a ficha da tomada. Mantenha o cabo afastado de calor, óleo, cantos afiados ou partes em**

movimento do aparelho. Cabos danificados ou torcidos aumentam o risco de choques eléctricos.

- e) **Ao trabalhar com a ferramenta eléctrica ao ar livre, use um cabo de extensão apropriado para áreas externas.** O uso de um cabo apropriado para áreas externas reduz o risco de choques eléctricos.
- f) **Se não for possível evitar o funcionamento da ferramenta eléctrica em áreas húmidas, deverá ser utilizado um disjuntor de corrente de avaria.** A utilização de um disjuntor de corrente de avaria reduz o risco de um choque eléctrico.

3) SEGURANÇA DE PESSOAS

- a) **Esteja alerta, observe o que está a fazer, e tenha prudência ao trabalhar com a ferramenta eléctrica. Não use a ferramenta eléctrica se estiver fatigado ou sob a influência de drogas, álcool ou medicamentos.** Um momento de falta de atenção durante a operação da ferramenta eléctrica pode causar graves lesões.
- b) **Utilizar equipamento de protecção pessoal e sempre óculos de protecção.** A utilização de equipamento de protecção pessoal, como máscara de protecção contra pó, sapatos de segurança antiderrapantes, capacete de segurança ou protecção auricular, de acordo com o tipo e aplicação da ferramenta eléctrica, reduz o risco de lesões.
- c) **Evitar uma colocação em funcionamento involuntária. Assure-se de que a ferramenta eléctrica esteja desligada, antes de conectá-la à alimentação de rede e/ou ao acumulador, antes de levantá-la ou de transportá-la.** Se tiver o dedo no interruptor for transportar a ferramenta eléctrica ou se o aparelho for conectado à alimentação de rede enquanto estiver ligado, poderão ocorrer acidentes.
- d) **Remover chaves de ajustes ou chaves de fenda, antes de ligar a ferramenta eléctrica.** Uma chave de fenda ou chave de ajuste que se encontre numa parte móvel do aparelho, pode levar a lesões.
- e) **Não se sobrestime. Mantenha uma posição firme e mantenha sempre o equilíbrio.** Desta forma poderá ser mais fácil controlar o aparelho em situações inesperadas.
- f) **Use roupa apropriada. Não use roupa larga ou jóias. Mantenha os cabelos e roupas afastados de partes em movimento.** Roupas largas, jóias ou cabelos longos podem ser agarradas por partes em movimento.
- g) **Se for prevista a montagem de dispositivos de aspiração de pó e de dispositivos de recolha, assegure-se de que estão conectados e que sejam utilizados de forma correcta.** A utilização de uma aspiração de pó pode reduzir o perigo devido ao pó.
- h) **Não deixe que a familiaridade resultante de uma utilização frequente de ferramentas permita que você se torne complacente e ignore os princípios de segurança da ferramenta.** Uma ação descuidada pode causar ferimentos graves numa fração de segundo.

4) USO E TRATAMENTO DE FERRAMENTAS ELÉTRICAS

- a) **Não sobrecarregue a ferramenta eléctrica. Use para o seu trabalho a ferramenta eléctrica correcta.** A ferramenta correcta realizará o trabalho de forma melhor e mais segura dentro da faixa de potência indicada.

- b) **Não utilize a ferramenta eléctrica se o interruptor não puder ser ligado nem desligado.** Qualquer ferramenta eléctrica que não possa ser controlada através do interruptor de ligar-desligar, é perigosa e deve ser reparada.

- c) **Puxar a ficha da tomada e/ou remover o acumulador, se amovível, antes de executar ajustes na ferramenta, de substituir acessórios ou de guardar a ferramenta.** Esta medida de segurança evita que a ferramenta eléctrica seja ligada acidentalmente.

- d) **Guarde ferramentas eléctricas que não estiverem sendo utilizadas, for a do alcance de crianças. Não permita que o aparelho seja utilizado por pessoas não familiarizadas com o mesmo ou que não tenham lido estas instruções.** Ferramentas eléctricas são perigosas nas mãos de pessoas sem treinamento.

- e) **Trate a ferramenta eléctrica e os acessórios com cuidado. Verifique se as partes móveis do aparelho funcionam perfeitamente e não emperram, se há peças quebradas ou danificadas, que possam influenciar o funcionamento do aparelho. Peças danificadas devem ser reparadas antes da utilização do aparelho.** Muitos acidentes tem como causa uma manutenção insuficiente das ferramentas eléctricas.

- f) **Mantenha as ferramentas de corte sempre afiadas e limpas.** Ferramentas de cortes devidamente tratadas, com cantos afiados travam com menos frequência e podem ser controladas com maior facilidade.

- g) **Use a ferramenta eléctrica, os acessórios os bits da ferramenta etc., de acordo com estas instruções. Considere também as condições de trabalho e o trabalho a ser efectuado.** A utilização da ferramenta eléctrica para outros fins que os previstos, pode resultar em situações perigosas.

- h) **Mantenha os punhos e as superfícies de agarrar secas, limpas e livres de óleo e massa consistente.** Punhos e superfícies de agarrar escorregadias não permitem o manuseio e controle seguros da ferramenta em situações inesperadas.

5) SERVIÇO

- a) **A sua ferramenta eléctrica só deve ser reparada por pessoal qualificado e só devem ser colocadas peças sobressalentes originais.** Desta forma é assegurada a segurança da ferramenta eléctrica.

INSTRUÇÕES DE SEGURANÇA PARA AGRAFADORES

- **Suponha sempre que a ferramenta contém grampos** (o manuseio despreocupado do agrafador pode levar a inesperadas expulsões de grampos e causar lesões)
- **Não apontar a ferramenta para si mesmo nem para outras pessoas que estiverem próximas** (um disparo inesperado atira um grampo que pode levar a lesões)
- **Não accionar a ferramenta antes de ter aplicado-a firmemente sobre a peça de trabalho** (se a ferramenta não tiver contacto com a peça de trabalho, é possível que o grampo seja ricocheteado do local de fixação)
- **Separar a ferramenta da rede eléctrica ou do acumulador, se o grampo estiver emperrado na ferramenta** (quando o agrafador está conectado à rede, é possível que seja accionado, sem querer, ao tentar remover um grampo emperrado)

- **Tenha cuidado ao remover um grampo preso** (o sistema pode estar traccionado e expulsar fortemente o grampo, enquanto estiver removendo o grampo emperrado)
- **Este agrafador não deve ser usado para fixar fios eléctricos** (ele não é apropriado para a instalação de linhas eléctricas, pois pode danificar o isolamento de cabos eléctricos e causar assim um choque eléctrico e até mesmo incêndios)
- **Fixe a peça de trabalho** (uma peça de trabalho fixa com dispositivos de fixação ou num torno fica melhor fixa do que manualmente)
- **Esta ferramenta não deve ser utilizada por crianças e pessoas com deficiências físicas, sensoriais ou mentais, ou falta de experiência e conhecimentos**
- Certifique-se de que as crianças não brincam com a ferramenta
- A SKIL só pode garantir um funcionamento perfeito da ferramenta, quando utilizada com os acessórios originais
- Certifique-se sempre de que a tensão de alimentação está de acordo com a tensão indicada na placa de identificação da ferramenta
- Evite danificar a ferramenta em superfícies com pregos ou parafusos; remova-os antes de começar a trabalhar
- Em caso de anomalias eléctricas ou mecânicas, desligue imediatamente a ferramenta e tire a ficha da tomada
- Caso o fio for danificado ou cortado durante o trabalho, não toque no fio, mas tire imediatamente a ficha da tomada
- Não utilizar ferramenta caso o fio esteja danificado; mandando-o substituir por pessoal qualificado
- Utilize extensões completamente desenroladas e seguras, com uma capacidade de 16 Amp

EXPLICAÇÃO DOS SÍMBOLOS DA FERRAMENTA

- ③ Leia o manual de instruções antes de utilizar o equipamento
- ④ Isolamento duplo (nenhum fio de terra necessário)
- ⑤ Não deite a ferramenta no lixo doméstico

MANUSEAMENTO

- Colocar agrafos/pregos ⑥
! desligar da fonte de corrente
 - volte a ferramenta ao contrário
 - prima a alavanca A enquanto puxa a corrediça B para trás
 - introduza os agrafos/pregos no carregador C com os suportes virados para cima (capacidade máxima de 100 agrafos/80 pregos)
 - empurre a corrediça B contra a cabeça do agrafador D até bloquear
 - quando introduzir os pregos (não fornecidos com a ferramenta), incline a ferramenta de uma forma que os pregos fiquem contra o lado do carregador correspondente ao símbolo do prego na cabeça do agrafador D ⑦
 - recarregue o depósito C quando os agrafos ou os pregos acabarem no H ② inicial
- Utilização da ferramenta ⑧
 - ligue a ferramenta premindo o interruptor E para a posição “I”
 - prima a cabeça do agrafador D contra a peça de trabalho até empurrar completamente

- prima o interruptor F e liberte-o novamente
- ! durante o trabalho, segure sempre a ferramenta na(s) área(s) de fixação cinzenta(s)**
- desligue a ferramenta premindo o interruptor E para a posição “O”
- Controlo de impacto ⑨
 A roda G permite seleccionar gradualmente o nível de impacto necessário do mínimo até ao máximo (- / +)
 - “-” para materiais finos e leves, como lâminas e tecidos
 - “+” para materiais grossos e resistentes, como paredes de madeiras fortes
 - antes de iniciar um trabalho, veja o nível de impacto óptimo, testando em material de reserva

CONSELHOS DE APLICAÇÃO

- Fixar painéis ⑩
- Fixar têxteis ⑪
- Para agrafar em madeira rija, utilize agrafos mais pequenos do que os fornecidos com a ferramenta
- Evite disparos em branco para reduzir o desgaste do impacto
- Para mais sugestões consulte www.skil.com

MANUTENÇÃO / SERVIÇO

- Esta ferramenta não se destina a utilização profissional
- Mantenha a ferramenta e o fio sempre limpos (especialmente as ranhuras de respiração J ②)
! desligar a ferramenta da fonte de corrente antes de limpar
- Se a ferramenta falhar apesar de cuidadosos processos de fabricação e de teste, a reparação deverá ser executada por uma oficina de serviço autorizada para ferramentas eléctricas SKIL
 - envie a ferramenta **sem desmontar**, juntamente com a prova de compra, para o seu revendedor ou para o centro de assistência SKIL mais próximo (os endereços assim como a mapa de peças da ferramenta estão mencionados no www.skil.com)

AMBIENTE

- **Não deite ferramentas eléctricas, acessórios e embalagem no lixo doméstico** (apenas para países da UE)
 - de acordo com a directiva europeia 2012/19/CE sobre ferramentas eléctricas e electrónicas usadas e a transposição para as leis nacionais, as ferramentas eléctricas usadas devem ser recolhidas em separado e encaminhadas a uma instalação de reciclagem dos materiais ecológica
 - símbolo ⑤ lhe avisará em caso de necessidade de arranja-las

RUÍDO / VIBRAÇÃO

- Medido segundo EN 60745 o nível de pressão acústica desta ferramenta é 84 dB(A) e o nível de potência acústica 95 dB(A) (espaço de erro: 3 dB), e a vibração 7,0 m/s² (soma de vectores de três direcções; incerteza K = 1,5 m/s²)

- O nível de emissão de vibrações foi medido de acordo com um teste normalizado fornecido na EN 60745; pode ser utilizado para comparar uma ferramenta com outra e como una avaliação preliminar de exposição à vibração quando utilizar a ferramenta para as aplicações mencionadas
 - utilizar a ferramenta para diferentes aplicações ou com acessórios diferentes ou mantidos deficientemente, pode **aumentar** significativamente o nível de exposição
 - o número de vezes que a ferramenta é desligada ou quando estiver a trabalhar sem fazer nada, pode **reduzir** significativamente o nível de exposição
- ! **proteja-se contra os efeitos da vibração, mantendo a ferramenta e os acessórios, mantendo as mãos quentes e organizando os padrões de trabalho**

I

Graffatrice

8200

INTRODUZIONE

- Questo utensile è destinato alla cucitura e alla chiodatura di cartoni, materiali isolanti, tessuti, fogli, pelle, ecc. su superfici di legno o materiali simili
- L'utensile non è adatto al fissaggio di controsoffitti e pannelli per pareti
- Questo utensile non è inteso per un uso professionale
- Leggete e conservate questo manuale di istruzione ③

DATI TECNICI ①

ELEMENTI UTENSILE ②

- A Leva per il caricamento di graffe
- B Cursore
- C Caricatore
- D Testa della graffatrice
- E Interruttore di accesso/spento
- F Grilletto
- G Rotellina di selezione controllo del colpo
- H Indicatore di ricarica
- J Feritoie di ventilazione

SICUREZZA

AVVERTENZE GENERALI DI PERICOLO PER ELETTROUTENSILI

AVVERTENZA Leggere tutte le avvertenze di pericolo, le istruzioni operative, le figure e le specifiche accluse al presente elettro utensile. Il mancato rispetto di tutte le istruzioni sottoelencate potrà comportare il pericolo di scosse elettriche, incendi e/o gravi lesioni.

Conservare tutte le avvertenze di pericolo e le istruzioni operative per ogni esigenza futura.

Il termine "elettro utensile" utilizzato nelle avvertenze di pericolo si riferisce ad elettro utensili alimentati dalla rete (con linea di allacciamento) ed ad elettro utensili alimentati a batteria (senza linea di allacciamento).

1) SICUREZZA DELLA POSTAZIONE DI LAVORO

- Mantenere pulito ed ordinato il posto di lavoro.** Il disordine o le zone di lavoro non illuminate possono essere fonte di incidenti.
- Evitare d'impiegare l'elettro utensile in ambienti soggetti al rischio di esplosioni nei quali si trovino liquidi, gas o polveri infiammabili.** Gli elettro utensili producono scintille che possono far infiammare la polvere o i gas.
- Mantenere lontani i bambini ed altre persone durante l'impiego dell'elettro utensile.** Eventuali distrazioni potranno comportare la perdita del controllo sull'elettro utensile.

2) SICUREZZA ELETTRICA

- La spina per la presa di corrente dovrà essere adatta alla presa. Evitare assolutamente di apportare modifiche alla spina. Non impiegare spine adattatrici assieme ad elettro utensili con collegamento a terra.** Le spine non modificate e le prese adatte allo scopo riducono il rischio di scosse elettriche.
 - Evitare il contatto fisico con superfici collegate a terra, come tubi, riscaldamenti, cucine elettriche e frigoriferi.** Sussiste un maggior rischio di scosse elettriche nel momento in cui il corpo è messo a massa.
 - Custodire l'elettro utensile al riparo dalla pioggia o dall'umidità.** L'eventuale infiltrazione di acqua in un elettro utensile va ad aumentare il rischio d'insorgenza di scosse elettriche.
 - Non usare il cavo per scopi diversi da quelli previsti al fine di trasportare o appendere l'elettro utensile, oppure di togliere la spina dalla presa di corrente. Mantenere l'elettro utensile al riparo da fonti di calore, dall'olio, dagli spigoli o da pezzi in movimento.** I cavi danneggiati o aggrovigliati aumentano il rischio d'insorgenza di scosse elettriche.
 - Qualora si voglia usare l'elettro utensile all'aperto, impiegare solo ed esclusivamente cavi di prolunga omologati per l'impiego all'esterno.** L'uso di un cavo di prolunga omologato per l'impiego all'esterno riduce il rischio d'insorgenza di scosse elettriche.
 - Qualora non fosse possibile evitare di utilizzare l'elettro utensile in ambiente umido, utilizzare un interruttore di messa a terra.** L'uso di un interruttore di messa a terra riduce il rischio di una scossa elettrica.
- ### 3) SICUREZZA DELLE PERSONE
- È importante concentrarsi su ciò che si sta facendo e a maneggiare con giudizio l'elettro utensile durante le operazioni di lavoro. Non utilizzare l'elettro utensile in caso di stanchezza o sotto l'effetto di droghe, bevande alcoliche e medicinali.** Un attimo di distrazione durante l'uso dell'elettro utensile potrà causare lesioni gravi.
 - Indossare sempre equipaggiamento protettivo individuale. Usare sempre protezioni per gli occhi.** Se si avrà cura d'indossare equipaggiamento protettivo individuale come la maschera antipolvere, la calzatura antidistrucchiolevole di sicurezza, il casco protettivo o la protezione dell'udito, a seconda dell'impiego previsto per l'elettro utensile, si potrà ridurre il rischio di ferite.
 - Evitare l'accensione involontaria dell'elettro utensile. Prima di collegarlo alla rete di alimentazione**

- elettrica e/o alla batteria ricaricabile, prima di prenderlo oppure prima di iniziare a trasportarlo, assicurarsi che l'elettrotensile sia spento. Tenendo il dito sopra l'interruttore mentre si trasporta l'elettrotensile oppure collegandolo all'alimentazione di corrente con l'interruttore inserito, si vengono a creare situazioni pericolose in cui possono verificarsi seri incidenti.
- d) **Togliere gli attrezzi di regolazione o la chiave inglese prima di accendere l'elettrotensile.** Un elettrotensile o una chiave inglese che si trovino in una parte dell'elettrotensile in rotazione potranno causare lesioni.
- e) **È importante non sopravvalutarsi. Avere cura di mettersi in posizione sicura e di mantenere l'equilibrio.** In tale maniera sarà possibile controllare meglio l'elettrotensile in situazioni inaspettate.
- f) **Indossare vestiti adeguati. Evitare di indossare vestiti lenti o gioielli. Tenere capelli e vestiti lontani da parti in movimento.** Vestiti lenti, gioielli o capelli lunghi potranno impigliarsi in pezzi in movimento.
- g) **Se sussiste la possibilità di montare dispositivi di aspirazione o di captazione della polvere, assicurarsi che gli stessi siano stati installati correttamente e vengano utilizzati senza errori.** L'utilizzo di un'aspirazione polvere può ridurre lo svilupparsi di situazioni pericolose dovute alla polvere.
- h) **Una volta presa confidenza con gli utensili, evitare di trascurare le norme di sicurezza.** Una mancanza di attenzione può causare gravi lesioni in una frazione di secondo.
- 4) MANEGGIO ED IMPIEGO ACCURATO DI ELETTROTENSILI**
- a) **Non sovraccaricare l'elettrotensile. Impiegare l'elettrotensile adatto per sbrigare il lavoro.** Utilizzando l'elettrotensile adatto si potrà lavorare meglio e con maggior sicurezza nell'ambito della gamma di potenza indicata.
- b) **Non utilizzare elettrotensili con interruttori difettosi.** Un elettrotensile che non si può più accendere o spegnere è pericoloso e dovrà essere riparato.
- c) **Prima di procedere ad operazioni di regolazione sull'elettrotensile, prima di sostituire parti accessorie oppure prima di posare l'elettrotensile al termine di un lavoro, estrarre sempre la spina dalla presa della corrente e/o estrarre la batteria ricaricabile, se rimovibile.** Tale precauzione eviterà che l'elettrotensile possa essere messo in funzione inavvertitamente.
- d) **Custodire gli elettrotensili non utilizzati al di fuori della portata dei bambini. Non fare usare l'elettrotensile a persone che non sono abituate ad usarlo o che non abbiano letto le presenti istruzioni.** Gli elettrotensili sono pericolosi se utilizzati da persone inesperte.
- e) **Eseguire la manutenzione degli elettrotensili e degli accessori. Verificare che le parti mobili dell'elettrotensile funzionino perfettamente e non s'inceppino, che non ci siano pezzi rotti o danneggiati al punto tale da limitare la funzione dell'elettrotensile stesso. Far riparare le parti**

danneggiate prima d'impiegare l'elettrotensile.

Numerosi incidenti vengono causati da elettrotensili la cui manutenzione è stata effettuata poco accuratamente.

- f) **Mantenere affilati e puliti gli elettrotensili da taglio.** Gli elettrotensili da taglio curati con particolare attenzione e con taglienti affilati s'inceppano meno frequentemente e sono più facili da condurre.
- g) **Utilizzare elettrotensili, accessori, attrezzi, ecc. in conformità con le presenti istruzioni. Osservare le condizioni di lavoro ed il lavoro da eseguirsi durante l'impiego.** L'impiego di elettrotensili per usi diversi da quelli consentiti potrà dar luogo a situazioni di pericolo.
- h) **Mantenere impugnature e superfici di presa accetite, pulite e prive di olio e grasso.** Impugnature e superfici di presa scivolose non consentono di manipolare e controllare l'utensile in caso di situazioni inaspettate.

5) ASSISTENZA

- a) **Fare riparare l'elettrotensile solo ed esclusivamente da personale specializzato e solo impiegando pezzi di ricambio originali.** In tale maniera potrà essere salvaguardata la sicurezza dell'elettrotensile.

ISTRUZIONI DI SICUREZZA PER GRAFFATRICI

- **Partire sempre dal presupposto che l'utensile contenga graffe** (un impiego senza precauzioni della graffatrice può causare un'emissione accidentale di graffe e di conseguenza provocare lesioni)
- **Non puntare con l'utensile verso se stessi oppure altre persone nelle vicinanze** (tramite un'attivazione accidentale viene espulsa una graffa che potrebbe causare lesioni)
- **Non azionare l'utensile prima che lo stesso sia applicato in modo fisso sul pezzo in lavorazione** (se l'utensile non ha alcun contatto con il pezzo in lavorazione, la graffa può rimbalzare dal punto di fissaggio)
- **Staccare l'utensile dalla rete di corrente oppure dalla batteria ricaricabile se la graffa è bloccata nell'utensile stesso** (se la graffatrice è collegata, la stessa potrebbe essere accidentalmente azionata durante la rimozione di una graffa bloccata)
- **Procedere con estrema cautela durante la rimozione di una graffa bloccata** (il sistema potrebbe essere sotto carico e la graffa venire espulsa con forza mentre si tenta di eliminare il bloccaggio)
- **Non utilizzare la presente graffatrice per il fissaggio di cavi elettrici** (la stessa non è idonea per l'installazione di cavi elettrici, può danneggiare l'isolamento dei cavi elettrici causando di conseguenza scossa elettrica e pericoli di incendi)
- **Fissare il pezzo da lavorare** (un pezzo in lavorazione rimane bloccato in posizione con maggiore sicurezza se fissato con appositi dispositivi di serraggio o con una morsa e non tenendolo con la mano)
- **Questo utensile non è previsto per l'utilizzo da parte di bambini e di persone con ridotte capacità fisiche, sensoriali e mentali o con scarsa esperienza e conoscenza specifiche**
- Assicurarsi che i bambini non giochino con l'utensile

- La SKIL garantisce un perfetto funzionamento dell'utensile soltanto se vengono utilizzati accessori originali
- Controllare che la tensione dell'alimentazione sia la stessa di quella indicata sulla targhetta dell'utensile
- Evitate possibili danneggiamenti da viti e chiodi sporgenti; rimuoverli prima di iniziare la lavorazione
- Nel caso di cattivo funzionamento elettrico o meccanico, spegnete subito l'utensile e staccate la spina
- Se durante un'operazione di lavoro viene danneggiato oppure troncato il cavo, non toccare il cavo ma estrarre immediatamente la spina dalla presa
- Non usare l'utensile quando il cavo è danneggiato; farlo sostituire da personale qualificato
- Usare cavi di prolunga completamente srotolati e sicure con una capacità di 16 Amp

SPIEGAZIONE DEI SIMBOLI PRESENTI SULL'UTENSILE

- ③ Leggere il manuale di istruzioni prima dell'uso
- ④ Doppio isolamento (non è necessario alcun cavo di terra)
- ⑤ Non gettare l'utensile tra i rifiuti domestici

USO

- Caricamento di graffe/chiodi ⑥
 - ! **estrarre la spina dalla presa**
 - capovolgete l'utensile
 - premere la leva A e spingere contemporaneamente all'indietro il cursore B
 - Inserire le graffe/i chiodi nel caricatore C con le punte rivolte verso l'alto (capacità massima 100 graffe/80 chiodi)
 - spingere il cursore B verso la testa della graffiatrice D finché non si blocca in posizione
 - quando si inserisce una striscia di chiodi (non fornita in dotazione con l'utensile), inclinare l'utensile in modo che la striscia si appoggi al lato del caricatore che corrisponde al simbolo del chiodo riportato sulla testa della graffiatrice D ⑦
 - ricaricare il caricatore C quando la fine della striscia di graffe o chiodi è visibile all'apertura H ②
- Uso dell'utensile ⑧
 - accendere l'utensile spingendo l'interruttore E nella posizione "I"
 - premere con decisione la testa della graffiatrice D contro il pezzo in lavorazione finché questa non è inserita completamente
 - premere brevemente l'interruttore F, quindi rilasciarlo
 - ! **durante la lavorazione, impugnare l'utensile sempre in corrispondenza della(e) area(e) grigia(e)**
 - spegnere l'utensile spingendo l'interruttore E nella posizione "O"
- Controllo del colpo ⑨

Con la rotellina G è possibile selezionare gradualmente il livello del colpo richiesto da minima a massima (- / +)

 - "-" è indicato per materiali sottili e leggeri come fogli e tessuti
 - "+" è indicato per materiali spessi e robusti come legno duro e pareti
 - prima di iniziare un lavoro, è necessario stabilire quale sia il livello ottimale del colpo eseguendo delle prove su materiali di scorta

CONSIGLIO PRATICO

- Fissaggio di pannelli ⑩
- Fissaggio di prodotti tessili ⑪
- Per fissare legno duro utilizzare graffe più corte di quelle fornite con l'utensile
- Evitare colpi a vuoto per ridurre il grado di usura del punto di impatto
- Per altri consigli consultare il sito www.skil.com

MANUTENZIONE / ASSISTENZA

- Questo utensile non è inteso per un uso professionale
- Tenete sempre puliti utensile e cavo (soprattutto le feritoie di ventilazione J ②)
 - ! **prima di pulire estrarre la spina dalla presa**
- Se nonostante gli accurati procedimenti di produzione e di controllo l'utensile dovesse guastarsi, la riparazione va fatta effettuare da un punto di assistenza autorizzato per gli elettrodomestici SKIL
 - inviare l'utensile **non smontato** assieme alle prove di acquisto al rivenditore oppure al più vicino centro assistenza SKIL (l'indirizzo ed il disegno delle parti di ricambio dell'utensile sono riportati su www.skil.com)

TUTELA DELL'AMBIENTE

- **Non gettare l'utensile elettrico, gli accessori e l'imballaggio tra i rifiuti domestici** (solo per paesi UE)
 - secondo la Direttiva Europea 2012/19/CE sui rifiuti di utensili elettrici ed elettronici e la sua attuazione in conformità alle norme nazionali, gli utensili elettrici esausti devono essere raccolti separatamente, al fine di essere reimpiegati in modo eco-compatibile
 - il simbolo ⑤ vi ricorderà questo fatto quando dovrete eliminarlo

RUMOROSITÀ / VIBRAZIONE

- Misurato in conformità al EN 60745 il livello di pressione acustica di questo utensile è 84 dB(A) ed il livello di potenza acustica 95 dB(A) (deviazione standard: 3 dB), e la vibrazione 7,0 m/s² (somma dei vettori in tre direzioni; incertezza K = 1,5 m/s²)
- Il livello di emissione delle vibrazioni è stato misurato in conformità a un test standardizzato stabilito dalla norma EN 60745; questo valore può essere utilizzato per mettere a confronto un l'utensile con un altro o come valutazione preliminare di esposizione alla vibrazione quando si impiega l'utensile per le applicazioni menzionate
 - se si utilizza l'utensile per applicazioni diverse, oppure con accessori differenti o in scarse condizioni, il livello di esposizione potrebbe **umentare** notevolmente
 - i momenti in cui l'utensile è spento oppure è in funzione ma non viene effettivamente utilizzato per il lavoro, possono contribuire a **ridurre** il livello di esposizione
- ! **protegersi dagli effetti della vibrazione effettuando la manutenzione dell'utensile e dei relativi accessori, mantenendo le mani calde e organizzando i metodi di lavoro**

Tűzőgép

8200

BEVEZETÉS

- A készülék rendeltetészerűen kartonpapír, szigetelőanyag, szövet, fólia, bőr és egyéb anyagok faanyagokra vagy a fához hasonló anyagokra tűzésére és szegezésére használható
- A szerszám nem alkalmas mennyezeti vagy falburkolat felrögztetéséhez
- Ez a szerszám nem professzionális használatra készült
- Olvassa el figyelmesen és őrizze meg a használati utasítást ③

MŰSZAKI ADATOK ①

SZERSZÁMGÉP ELEMEI ②

- A Kapocstár kar
- B Csúszka
- C Kapocstár
- D Kapocsbelövő fej
- E Be/ki kapcsológomb
- F Indítókapcsoló
- G Űtőerő kiválasztó kerék
- H Újrátöltés jelző
- J Szellőzőnyílások

BIZTONSÁG

ÁLTALÁNOS BIZTONSÁGI ELŐÍRÁSOK AZ ELEKTROMOS KÉZISZERSZÁMOKHOZ

▲ FIGYELMEZTETÉS Olvassa el az ehhez a kéziszerszámmal mellélt összes biztonsági figyelmeztetést, előírást, illusztrációt és specifikációt. Az alábbiakban felsorolt előírások betartásának elmulasztása áramütésekhez, tűzhöz és/vagy súlyos testi sérülésekhez vezethet.

Őrizze meg a jövőbeli használatra is valamennyi biztonsági előírást és utasítást.

Az alább alkalmazott "elektromos kéziszerszám" fogalom a hálózati elektromos kéziszerszámokat (hálózati csatlakozó kábellel) és az akkumulátoros elektromos kéziszerszámokat (hálózati csatlakozó kábel nélkül) foglalja magában.

1) MUNKAHELYI BIZTONSÁG

- Tartsa tisztán és tartsa rendszerben a munkahelyét.** Rendetlen munkahelyek vagy megvilágítatlan munkaterületek balesetekhez vezethetnek.
- Ne dolgozzon az elektromos kéziszerszámmal olyan robbanásveszélyes környezetben, ahol éghető folyadékok, gázok vagy porok vannak.** Az elektromos kéziszerszámok szikrákat bocsáthatnak ki, amelyek meggyújthatják a port vagy a gőzöket.
- Tartsa távol a gyerekeket és az idegen személyeket a munkahelytől, ha az elektromos kéziszerszámot használja.** Ha elvonják a figyelmét a munkától, könnyen elvesztheti az uralmát a berendezés felett.

2) ELEKTROMOS BIZTONSÁGI ELŐÍRÁSOK

- A készülék csatlakozó dugójának bele kell illeszkednie a dugaszolóaljzatba. A csatlakozó dugót semmilyen módon sem szabad megváltoztatni. Védőföldeléssel ellátott készülékekkel kapcsolatban ne használjon csatlakozó adaptert.** A változtatás nélküli csatlakozó dugók és a megfelelő dugaszoló aljzatok csökkentik az áramütés kockázatát.
 - Ne érjen hozzá földelt felületekhez, mint csövekhez, fűtőtestekhez, kályhákhoz és hűtőszekrényekhez.** Az áramütési veszély megnövekszik, ha a teste le van földelve.
 - Tartsa távol az elektromos kéziszerszámot az esőtől és a nedvesség hatásaitól.** Ha víz hatol be egy elektromos kéziszerszámba, ez megnöveli az áramütés veszélyét.
 - Ne használja a kábelt a rendeltetésétől eltérő célokra, vagyis a szerszámot soha ne hordozza vagy akassza fel a kábelnél fogva, és soha ne húzza ki a hálózati csatlakozó dugót a kábelnél fogva. Tartsa távol a kábelt hőforrásoktól, olajtól, éles élektől, sarkaktól és mozgó gépalkatrészekről.** Egy megrongálódott vagy csomókkal teli kábel megnöveli az áramütés veszélyét.
 - Ha egy elektromos kéziszerszámmal a szabad ég alatt dolgozik, csak a szabadban való használatra engedélyezett hosszabbítót használjon.** A szabadban való használatra engedélyezett hosszabbító használat csökkenti az áramütés veszélyét.
 - Ha nem lehet elkerülni az elektromos kéziszerszám nedves környezetben való használatát, alkalmazzon egy földzárlat megszakítót.** Egy földzárlat megszakító alkalmazása csökkenti az áramütés kockázatát.
- 3) SZEMÉLYI BIZTONSÁGI ELŐÍRÁSOK**
- Munka közben mindig figyeljen arra, amit csinál, és meggondoltan dolgozzon az elektromos kéziszerszámmal.** Ha fáradt, ha kábítószerek vagy alkohol hatása alatt áll, vagy orvosságokat vett be, ne használja a berendezést. A berendezéssel végzett munka közben már egy pillanatnyi figyelmetlenség is komoly sérülésekhez vezethet.
 - Viseljen személyi védőfelszerelést és mindig viseljen védőszemüveget.** A személyi védőfelszerelések, mint porvédő álarc, csúszásbiztos védőcipő, védősapka és fűlvédő használata az elektromos kéziszerszám használata jellegének megfelelően csökkenti a személyes sérülések kockázatát.
 - Kerülje el a készülék akaratlan üzembe helyezését.** Győződjön meg arról, hogy az elektromos kéziszerszám ki van kapcsolva, mielőtt bedugná a csatlakozó dugót a dugaszolóaljzatba, csatlakoztatná az akkumulátor-csomagot, és mielőtt felvenné és vinni kezdené az elektromos kéziszerszámot. Ha az elektromos kéziszerszám felemelése közben az ujját a kapcsolón tartja, vagy ha a készüléket bekapcsolt állapotban csatlakoztatja az áramforráshoz, ez balesetekhez vezethet.
 - Az elektromos kéziszerszám bekapcsolása előtt okvetlenül távolítsa el a beállító szerszámokat vagy csavarkulcsokat.** Az elektromos kéziszerszám forgó

részeiben fejeztett beállító szerszám vagy csavarkulcs sérüléseket okozhat.

- e) **Ne becsülje túl önmagát. Kerülje el a normálistól eltérő testtartást, ügyeljen arra, hogy mindig biztosan álljon és az egyensúlyát megtartsa.** Így az elektromos kéziszerszám felett váratlan helyzetekben is jobban tud uralkodni.
- f) **Viseljen megfelelő ruhát. Ne viseljen bő ruhát vagy ékszereket. Tartsa távol a haját és a ruháját a mozgó részekről.** A bő ruhát, az ékszereket és a hosszú haját a mozgó alkatrészek magukkal ránthatják.
- g) **Ha az elektromos kéziszerszámra fel lehet szerelni a por elszívásához és összegyűjtéséhez szükséges berendezéseket, ellenőrizze, hogy azok megfelelő módon hozzá vannak kapcsolva a készülékhez és rendeltetésüknek megfelelően működnek.** A porgyűjtő berendezések használata csökkentti a munka során keletkező por veszélyes hatását.
- h) **Ne hagyja, hogy az elektromos kéziszerszám gyakori használata során szerzett tapasztalatok olyan önelégültté tegyék, hogy figyelmen kívül hagyja az idevonatkozó biztonsági alapelveket.** Egy gondatlan művelet egy másodperc törtrésze alatt súlyos sérüléseket okozhat.
- 4) AZ ELEKTROMOS KÉZISZERSZÁMOK GONDOS KEZELÉSE ÉS HASZNÁLATA**
- a) **Ne terhelje túl az elektromos kéziszerszámot. A munkájához csak az arra szolgáló elektromos kéziszerszámot használja.** Egy alkalmas elektromos kéziszerszámmal a megadott teljesítménytartományon belül jobban és biztonságosabban lehet dolgozni.
- b) **Ne használjon olyan elektromos kéziszerszámot, amelynek a kapcsolója elromlott.** Egy olyan elektromos kéziszerszám, amelyet nem lehet sem be-, sem kikapcsolni, veszélyes és meg kell javíttatni.
- c) **Húzza ki a csatlakozó dugót a dugaszolóaljzatról és/vagy távolítsa el az akkumulátor-csomagot (ha az leválasztható) az elektromos kéziszerszámtól, mielőtt az elektromos kéziszerszám beállítási munkákat végez, tartozékokat cserél vagy a szerszámot tárolásra elteszi.** Ez az elővigyázatosság igényeltekézés meggátolja a szerszám akaratlan üzembe helyezését.
- d) **A használaton kívüli elektromos kéziszerszámokat olyan helyen tárolja, ahol azokhoz gyerekek ne férhess nek hozzá. Ne hagyja, hogy olyan személyek használják az elektromos kéziszerszámot, akik nem ismerik a szerszámot, vagy nem olvasták el ezt az útmutatót.** Az elektromos kéziszerszámok veszélyesek, ha azokat gyakorlatlan személyek használják.
- e) **Az elektromos kéziszerszámot és tartozékait gondosan tartsa karban. Ellenőrizze, hogy a mozgó alkatrészek kifogástalanul működnek-e, nincsenek-e beszorulva, és nincsenek-e eltörve vagy megrongálódva olyan alkatrészek, amelyek hatással lehetnek az elektromos kéziszerszám működésére. A megrongálódott részeket a készülék használata előtt javíttassa meg.** Sok olyan baleset történik, amelyet az elektromos kéziszerszám nem kielégítő karbantartására lehet visszavezetni.

- f) **Tartsa tisztán és éles állapotban a vágószerszámokat.** Az éles vágóélekkel rendelkező és gondosan ápoltt vágószerszámok ritkábban ékelődnek be és azokat könnyebben lehet vezetni és irányítani.
- g) **Az elektromos kéziszerszámokat, tartozékokat, betétszerszámokat stb. csak ezen előírásoknak használja. Vegye figyelembe a munkafeltételeket és a kivitelezendő munka sajátosságait.** Az elektromos kéziszerszám eredeti rendeltetésétől eltérő célokra való alkalmazása veszélyes helyzetekhez vezethet.
- h) **Tartsa szárazon, tisztán és olaj- és zsírmentes állapotban a fogantyúkat és markoló felületeket.** A csúszós fogantyúk és markoló felületek váratlan helyzetekben lehetetlenné teszik az elektromos kéziszerszám biztonságos kezelését és irányítását.
- 5) SZERVIZ**
- a) **Az elektromos kéziszerszámot csak szakképzett személyzet és csak eredeti pótalkatrészek felhasználásával javíthatja.** Ez biztosítja, hogy az elektromos kéziszerszám biztonságos szerszám maradjon.

BIZTONSÁGI ELŐÍRÁSOK A BEVERŐGÉPEK SZÁMÁRA

- **Mindig abból induljon ki, hogy a szerszám kapszokat tartalmaz** (a beverőgép gondatlan használata kapszok váratlan kilövéséhez és ennek következtében sérülésekhez vezethet)
- **Sohase célozzon a szerszámmal saját magára, vagy a közelben tartózkodó más személyekre** (egy váratlan kioldás esetén egy kapocs kerül kilövésre, amely sérüléseket okozhat)
- **A bekapcsolt szerszámot ne működtesse, amíg azt szilárdan rá nem nyomta a munkadarabra** (ha a szerszám nem áll érintkezésben a munkadarabbal, a kapocs a rögzítési pontról visszapatthanat)
- **Válassza le a szerszámot a hálózatról vagy az akkumulátorról, ha egy kapocs beakadt a szerszámba** (ha egy beverő szerszám csatlakoztatva van a hálózathoz, akkor egy beakadt kapocs eltávolításakor akaratlanul is működésbe léphet)
- **A beszorult kapszok eltávolításánál óvatosan járjon el** (lehet hogy a rendszer meg van feszítve és a kapocs nagy erővel kilöködik, miközben Ön megpróbálja eltávolítani)
- **Ne használja ezt a beverő szerszámot villamos vezetékek rögzítésére** (a szerszám nincs villamos vezetékek felszerelésére méretezve, megrongálhatja a vezetékek szigetelését és így áramütést és tűzveszélyt okozhat)
- **Rögzítse a munkadarabot** (befogókészülékkel vagy satuval befogott munkadarabot sokkal biztonságosabban lehet rögzíteni mint a kézzel tartottat)
- **Az szerszámot nincs arra előíranyozva gyerek és személyek korlátozott fizikai, érzékelési vagy szellemi képességgel illetve tapasztalattal és tudással nem rendelkező**
- Zárja ki annak lehetőségét, hogy a gyerekek játszhatnak a szerszámmal
- SKIL cég kizárólag eredeti alkatrészek és kiegészítők alkalmazása esetén tudja garantálni a gép problémamentes működését

- Mindig ellenőrizze, hogy a hálózati feszültség megegyezik-e a szerszám adattábláján feltüntetett értékkel
- Ügyeljen arra, hogy a munkadarabban lévő csavar, szög vagy hasonló sérüléseket ne okozhasson; a munka megkezdése előtt eltávolítandó
- Normálístól eltérő működés valamint szokatlan, idegen hangok esetén a készüléket azonnal kapcsolja ki és a kábelt húzza ki a fali dugaszoló aljzatból
- Ha a kábel munka közben megsérül vagy el van vága, ne érjen a kábelhoz, hanem azonnal húzza ki a konektorból
- Soha ne használja a szerszámot ha a kábel sérült; cseréltesse ki szakértő által
- Használjon teljesen letekerített és biztonságos hosszabbítókábelt, 16 A-es teljesítménnyel

A SZERSZÁMON TALÁLHATÓ SZIMBÓLUMOK MAGYARÁZATA

- ③ Használat előtt olvassa el a használati utasítást
- ④ Kettős szigetelés (földelővezeték nem szükséges)
- ⑤ A gépet ne dobja a háztartási szemétkébe

KEZELÉS

- Kapcsok/szegek betöltése ⑥
 - ! **húzzuk ki a kábel dugóját a csatlakozó aljzatból**
 - a gépet fordítsa fel
 - a B csúszka hátrahúzása közben nyomja meg a A kart
 - felfele álló lábakkal helyezze a kapcsokat/szegeket a C kapocstárba (maximális kapacitás 100 kapocs/80 szeg)
 - tolja a B csúszkát a D kapocsbelövő fejjel ellentétes irányba amíg a helyén nem rögzül
 - a szegek beillesztésekor (a készülékkel nem szállított) olyan módon billentse az eszközt, hogy a szegek a kapocstárral szembeni oldalon helyezkedjenek el, megfelelően a D kapocsbelövő fejen található szög szimbólumnak ⑦
 - töltsé újra a tárat C, ha az utolsó kapocs vagy szeg megjelenik a nyílásban H ②
- A gép üzemeltetése ⑧
 - a szerszám bekapcsolása a E kapcsoló "I" pozícióba állításával történik
 - határozottan nyomja neki a kapocsbelövő fejet D a munkadarabnak, amíg teljesen be nem nyomódik
 - röviden nyomja meg a F kapcsolót, majd ismét engedje fel
 - ! **munka közben mindvégig tartsa gépet a szürke színű markolati terület(ek)en**
 - a szerszám kikapcsolása a E kapcsoló "O" pozícióba állításával történik
- Hatóerő szabályzás ⑨
 - A G kerékkel állítható be fokozatmentesen a kívánt hatóerő szint, a minimumtól a maximumig (- / +)
 - "–" a vékony és könnyű anyagokhoz pl. fóliákhoz, szövetekhez
 - "+ " a vastag és kemény anyagokhoz, például keményfákhoz és falakhoz
 - a munka megkezdése előtt egy felesleges anyagon ellenőrizze az optimális hatóerő szintet

HASZNÁLAT

- Rögzítőpanelek ⑩
- Textilanyagok rögzítése ⑪
- Keményfához használjon a szerszámhoz mellékeltnél rövidebb kapcsokat
- A kapocsoktűt kopásának csökkentése érdekében kerülje el a vaklövéseket
- A www.skil.com címen még több ötletet és javaslatot talál

KARBANTARTÁS / SZERVIZ

- A szerszám nem professzionális használatra készült
- Mindig tartsa tisztán a gépet és a vezetékét (különös tekintettel a szellőzőnyílásokra J ⑫)
- ! **tisztítás előtt húzza ki a csatlakozódugót**
- Ha a gép a gondos gyártási és ellenőrzési eljárás ellenére egyszer mégis meghibásodna, akkor a javítással csak SKIL elektromos kéziszerszám-műhely ügyfélszolgálatát szabad megbízni
 - küldje az **összeszerelt** gépet a vásárlást bizonyító számlával együtt a kereskedő vagy a legközelebbi SKIL szervizállomásra címére (a címlista és a gép szervizdiagramja a www.skil.com címen található)

KÖRNYEZET

- **Az elektromos kéziszerszámokat, tartozékokat és csomagolást ne dobja a háztartási szemétkébe** (csak EU-országok számára)
 - a használt villamos és elektronikai készülékekről szóló 2012/19/EK irányelv és annak a nemzeti jogba való átültetése szerint az elhasznált elektromos kéziszerszámokat külön kell gyűjteni, és környezetbarát módon újra kell hasznosítani
 - erre emlékeztet a ⑤ jelzés, amennyiben felmerül az intézkedésre való igény

ZAJ / REZGÉS

- Az EN 60745 alapján végzett mérések szerint ezen készülék hangnyomás szintje 84 dB(A) a hangteljesítmény szintje 95 dB(A) (normál eltérés: 3 dB), a rezgésszám 7,0 m/s² (a három irány vektorösszege; szórás K = 1,5 m/s²)
- A rezgés-kibocsátási szint mérése az EN 60745 szabványban meghatározott szabványosított teszttel összhangban történt; ez egy eszköznek egy másik eszközzel történő összehasonlítására, illetve a rezgésnek való kitettség előzetes felmérésére használható fel az eszköznek az említett alkalmazásokra történő felhasználása során
 - az eszköznek eltérő alkalmazásokra, vagy eltérő, illetve rosszul karbantartott tartozékokkal történő felhasználása jelentősen **emelheti** a kitettség szintjét
 - az idő, amikor az eszköz ki van kapcsolva, vagy amikor ugyan működik, de ténylegesen nem végez munkát, jelentősen **csökkentheti** a kitettség szintjét
 - ! **az eszköz és tartozékai karbantartásával, kezelésével melegen tartásával, és munkavégzésének megszervezésével védje meg magát a rezgések hatásaitól**

Sponkovačka

8200

ÚVOD

- Toto nářadí je určeno pro spínání a přibíjení kartónu, izolačního materiálu, látek, fólií, kůže a podobných materiálů na povrch dřeva nebo materiálů podobných dřevu
- Nástroj není vhodný k připevňování nástěnných nebo stropních desek
- Tento nástroj není určen k profesionálnímu použití
- Tento návod s pokyny si pečlivě přečtěte a uschovejte ③

TECHNICKÁ DATA ①

SOUČÁSTI NÁSTROJE ②

- A Páčka pro plnicí zásobník
- B Šoupátko
- C Zásobník
- D Hlava sponkovačka
- E Spínač "zapnuto/vypnuto"
- F Spouštěcí spínač
- G Volící kolečko pro ovládání úderů
- H Indikátor doplnění
- J Větrací šterbiny

BEZPEČNOST

OBECNÉ BEZPEČNOSTNÍ POKYNY PRO ELEKTRONÁŘADÍ

VAROVÁNÍ Přečtěte si všechny bezpečnostní pokyny, výstrahy, zobrazení a specifikace k tomuto elektronářadí. Nedodržování všech níže uvedených pokynů může mít za následek úraz elektrickým proudem, požár a/nebo těžké poranění.

Všechny pokyny a výstrahy uchovejte pro budoucí potřebu.

Ve varovných upozorněních použitý pojem "elektronářadí" se vztahuje na elektronářadí provozované na el. síti (se síťovým kabelem) a na elektronářadí provozované na akumulátoru (bez síťového kabelu).

1) BEZPEČNOST PRACOVNÍHO MÍSTA

- a) **Udržujte Vaše pracovní místo čisté a uklizené.**
Nepořádek nebo neosvětlené pracovní oblasti mohou vést k úrazům.
- b) **Se strojem nepracujte v prostředích ohrožených explozí, kde se nacházejí hořlavé kapaliny, plyny nebo prach.** Elektronářadí vytváří jiskry, které mohou prach nebo páry zapálit.
- c) **Děti a jiné osoby udržujte při použití elektronářadí daleko od Vašeho pracovního místa.** Při rozptýlení můžete ztratit kontrolu nad strojem.

2) ELEKTRICKÁ BEZPEČNOST

- a) **Připojovací zástrčka stroje musí lícovat se zásuvkou. Zástrčka nesmí být žádným způsobem upravena. Společně se stroji s ochranným**

uzemněním nepoužívejte žádné adaptérové zástrčky. Neupravené zástrčky a vhodné zásuvky snižují riziko elektrického úderu.

- b) **Zabraňte kontaktu těla s uzemněnými povrchy, jako např. potrubí, topení, sporáky a chladničky.** Je-li Vaše tělo uzemněno, existuje zvýšené riziko elektrického úderu.
- c) **Uchráňte stroj před deštěm a vlhkem.** Vniknutí vody do elektrického stroje zvyšuje nebezpečí elektrického úderu.
- d) **Dbejte na účel kabelu, nepoužívejte jej k nošení či zavěšení stroje nebo vytažení zástrčky ze zásuvky. Udržujte kabel daleko od tepla, oleje, ostrých hran nebo pohyblivých dílů stroje.** Poškozené nebo spletené kabely zvyšují riziko elektrického úderu.
- e) **Pokud pracujete s elektronářadím venku, použijte pouze takové prodlužovací kabely, které jsou schváleny i pro venkovní použití.** Použití prodlužovacího kabelu, jež je vhodný pro použití venku, snižuje riziko elektrického úderu.
- f) **Pokud se nelze vyhnout provozu elektronářadí ve vlhkém prostředí, použijte ochranný jistič.** Nasazení ochranného jističe snižuje riziko úderu elektrickým proudem.

3) BEZPEČNOST OSOB

- a) **Buďte pozorní, dávejte pozor na to, co děláte a přistupujte k práci s elektronářadím rozumně. Stroj nepoužívejte pokud jste unavení nebo pod vlivem drog, alkoholu nebo léků.** Moment nepozornosti při použití elektronářadí může vést k vážným poraněním.
- b) **Noste osobní ochranné pomůcky a vždy ochranné brýle.** Nošení osobních ochranných pomůcek jako maska proti prachu, bezpečnostní obuv s protiskluzovou podrážkou, ochranná přilba nebo sluchátka, podle druhu nasazení elektronářadí, snižují riziko poranění.
- c) **Zabraňte neúmyslnému uvedení do provozu. Přesvědčte se, že je elektronářadí vypnuté dříve než jej uchopíte, poneseťe či připojíte na zdroj proudu a/ nebo akumulátor.** Máte-li při nošení elektronářadí prst na spínači nebo pokud stroj připojíte ke zdroji proudu zapnutý, pak to může vést k úrazům.
- d) **Než stroj zapnete, odstraňte seřizovací nástroje nebo šroubovák.** Nástroj nebo klíč, který se nachází v otáčivém dílu stroje, může vést k poranění.
- e) **Nepřeceňujte se. Zajistěte si bezpečný postoj a vždy udržujte rovnováhu.** Tím můžete stroj v neočekávaných situacích lépe kontrolovat.
- f) **Noste vhodný oděv. Nenoste žádný volný oděv nebo šperky. Vlasy a oděv udržujte daleko od pohybujících se dílů.** Volný oděv, šperky nebo dlouhé vlasy mohou být zachyceny pohybujícími se díly.
- g) **Lze-li namontovat odsávací či zachycující přípravky, přesvědčte se, že jsou připojeny a správně použity.** Použití odsávací prachu může snížit ohrožení prachem.
- h) **Dbejte na to, abyste při častém používání nářadí nebyli méně ostražití a nezapomínali na bezpečnostní zásady.** Nedbalé ovládání může způsobit těžké poranění za zlomek sekundy.

4) SVĚDOMITÉ ZACHÁZENÍ A POUŽÍVÁNÍ ELEKTRONÁŘADÍ

- a) **Stroj nepřetěžujte. Pro svou práci použijte k tomu určený stroj.** S vhodným elektronářadím budete pracovat v udané oblasti výkonu lépe a bezpečněji.

- b) **Nepoužívejte žádné elektronářadí, jehož spínač je vadný.** Elektronářadí, které nelze zapnout či vypnout je nebezpečné a musí se opravit.
 - c) **Než provedete seřízení stroje, výměnu dílů příslušenství nebo stroj odložíte, vytáhnete zástrčku ze zásuvky a/nebo odstraníte odpojitelny akumulátor.** Toto preventivní opatření zabrání neúmyslnému zapnutí stroje.
 - d) **Uchovávejte nepoužívané elektronářadí mimo dosah dětí. Nenechte stroj používat osobám, které se strojem nejsou seznámeny nebo nečetly tyto pokyny.** Elektronářadí je nebezpečné, je-li používáno nezkušenými osobami.
 - e) **Pečujte o elektronářadí a příslušenství svědomitě. Zkontrolujte, zda pohyblivé díly stroje bezvadně fungují a nevzpříčují se, zda díly nejsou zlomené nebo poškozené tak, že je omezena funkce stroje. Poškozené díly nechte před nasazením stroje opravit.** Mnoho úrazů má příčinu ve špatně udržovaném elektronářadí.
 - f) **Řezné nástroje udržujte ostré a čisté.** Pečlivě ošetřované řezné nástroje s ostrými řeznými hranami se méně vzpříčují a dají se lehčeji vést.
 - g) **Používejte elektronářadí, příslušenství, nasazovací nástroje apod. podle těchto pokynů. Respektujte přitom pracovní podmínky a prováděnou činnost.** Použití elektronářadí pro jiné než určující použití může vést k nebezpečným situacím.
 - h) **Udržujte rukojeti a úchytné plochy suché, čisté a bez oleje amaziva.** Kluzké rukojeti a úchytné plochy neumožňují bezpečnou manipulaci a ovládání nářadí v neočekávaných situacích.
- 5) SERVIS**
- a) **Nechte Váš stroj opravit pouze kvalifikovaným odborným personálem a pouze s originálními náhradními díly.** Tím bude zajištěno, že bezpečnost stroje zůstane zachována.

BEZPEČNOSTNÍ POKYNY PRO SPONKOVAČKA

- **Vždy vycházejte z toho, že nářadí obsahuje spunky** (nedbalé zacházení se sponkovačkem může vést k neočekávanému vystřelení sponek a poranit Vás)
- **Nemiřte nářadím na sebe ani na jiné osoby v blízkosti** (neočekávanou inicializací vystřelí sponka, což může vést k poranění)
- **Nářadí neuvádějte v činnost dřívě, než je pevně posazeno na obrobek** (pokud nemá nářadí žádný kontakt s obrobkem, může se sponka od místa upevňování odrazit)
- **Pokud se sponka v nářadí vzpříčí, odpojte nářadí od sítě nebo od kumulátoru** (pokud je sponkovačka připojený, může být při odstraňování vzpříčené spunky nedopatřením uveden v činnost)
- **Bud'te opatrní při odstraňování zablokované spunky** (systém může být napnutý a sponka může být silou vyražena, zatímco se Vy pokoušíte odstranit vzpříčení)
- **Tento sponkovačka nepoužívejte pro upevňování elektrických vedení** (není vhodný pro instalaci elektrických vedení, může poškodit izolaci elektrických kabelů a způsobit tak zásah elektrickým proudem a nebezpečí požáru)

- **Zajistěte obráběný díl** (obráběný díl uchycený pomocí upínacích zařízení nebo ve svěráku je mnohem bezpečnější než v ruce)
- **Tento nástroj není určený k tomu, aby ji používaly děti a osoby s omezenými fyzickými, smyslovými či mentálními schopnostmi, nebo s nedostatkem zkušeností a vědomostí**
- Postarejte se, aby si děti nehrály s nástrojem
- SKIL zajistí bezvadnou funkci nářadí pouze tehdy, používáte-li původní značkové
- Vždy zkontrolujte, zda je napájecí napětí stejné jako napětí uvedené na typovém štítku nástroje
- Vrtačku nepoužívejte je-li navlhla a nepracuje v blízkosti snadno zápalných nebo výbušných materiálů; před zahájením práce je odstraňte
- V případě atypického chování nebo cizích hluků ihned vypněte nářadí a vytáhnete zástrčku
- Jestliže přívodní šňůru při práci podkóditě nebo proříznete, nedotýkejte se jí a okamžitě ji vytáhnete ze síťové zásuvky
- Píla se nesmí používat, je-li její přívodní šňůra poškozená; nechte si je kvalifikovaným pracovníkem vyměnit
- Používejte zcela rozvinutá a bezpečně produžovací šňůry o kapacitě 16 ampér

VYSVĚTLENÍ SYMBOLŮ NA NÁŘADÍ

- ③ Před použitím si přečtete návod k použití
- ④ Dvojitá izolace (není nutný zemnicí drát)
- ⑤ Nářadí nevyhazujte do komunálního odpadu

OBSLUHA

- Nabíjení skob/hřebíků ⑥
 - ! **rozpojte přívodní šňůru**
 - obraťte nářadí vzhůru nohama
 - stisknete páku A a přitom tlačte šoupátko B směrem dozadu
 - vložte skobový/hřebíkový pás do zásobníku C s nožkami otočenými směrem nahoru (maximální kapacita 100 skob/80 hřebíků)
 - posuňte šoupátko B proti hlavě sponkovačka D dokud nezaklapne západka
 - při vkládání hřebíkového pásu (není dodáván se zařízením) nakloňte nástroj tak, aby hřebíkový pás spočíval na straně zásobníku, která odpovídá symbolu hřebíku na hlavě sponkovačka D ⑦
 - zásobník C naplníte, jakmile se v otvoru H ② objeví konec sponkového/hřebíkového pásu
- Použití nástroje ⑧
 - zapněte nářadí přepnutím vypínače E do poloh "I"
 - pevně zatlačte hlavu sponkovačky D proti obráběnému dílu, až se zcela zasune
 - krátce stisknete vypínač F a potom ho znova uvolněte
 - ! **při práci vždy držte nástroj v šedě zabarvené oblasti rukojeti**
 - vypněte nářadí přepnutím vypínače E do poloh "O"
- Ovládání úderů ⑨
 - Pomocí kolečka G se reguluje plynule požadovaná úroveň úderů od minimální až po maximální (- / +)
 - "-" pro tenké a lehké materiály jako fólie a látky
 - "+" pro silné a pevné materiály jako tvrdé dřevo a stěny
 - před začátkem práce zvolte optimální úroveň úderů tak, že na náhradním materiálu provedete zkoušku

NÁVOD K POUŽITÍ

- Připevnění panelů ¹⁰
- Přichycení textilií ¹¹
- Ke spínání tvrdého dřeva použijte kratší sponky, než jaké byly dodány s nástrojem
- Zabraňte zbytečným úderům, abyste omezili opotřebení rázového namáhání
- Další typy najdete na www.skil.com

ÚDRŽBA / SERVIS

- Tento nástroj není určen k profesionálnímu použití
- Nástroj a přívodní šňůru udržujte čisté (zejména větrací štěrby J ²)
- ! **před čištěním odpojte zástrčku**
- Pokud dojde i přes pečlivou výrobu a náročnou kontrolu k poruše nástroje, svěťte provedení opravy autorizovanému servisnímu středisku pro elektronářadí firmy SKIL
 - zašlete nástroj **nerozebraný** spolu s potvrzením o nákupu své prodejně nebo nejbližšímu servisu značka SKIL (adresy a servisní schema nástroje najdete na www.skil.com)

ŽIVOTNÍ PROSTŘEDÍ

- **Elektrické nářadí, doplňky a balení nevyhazujte do komunálního odpadu** (jen pro státy EU)
 - podle evropské směrnice 2012/19/EG o nakládání s použitými elektrickými a elektronickými zařízeními a odpovídajících ustanovení právních předpisů jednotlivých zemí se použítá elektrická nářadí, musí sbírat odděleně od ostatního odpadu a podrobit ekologicky šetrnému recyklování
 - symbol ⁵ na to upozorňuje

HLUČNOSTI / VIBRACÍ

- Měřeno podle EN 60745 činí tlak hlukové vlny tohoto přístroje 84 dB(A) a dávka hlučnosti 95 dB(A) (standardní odchylka: 3 dB), a vibrací 7,0 m/s² (vektorový součet tří os; nepřesnost K = 1,5 m/s²)
- Úroveň vibrací byla měřena v souladu se standardizovaným testem podle EN 60745; je možné ji použít ke srovnání jednoho přístroje s druhým a jako předběžné posouzení vystavování se vibracím při používání přístroje k uvedeným aplikacím
 - používání přístroje k jiným aplikacím nebo s jiným či špatně udržovaným příslušenstvím může zásadně **zvýšit** úroveň vystavení se vibracím
 - doba, kdy je přístroj vypnutý nebo kdy běží, ale ve skutečnosti není využíván, může zásadně **snížit** úroveň vystavení se vibracím
- ! **chráňte se před následky vibrací tak, že budete dbát na údržbu přístroje a příslušenství, budete si udržovat teplé ruce a uspořádáte si své pracovní postupy**

TR

Döşemeci tabancası

8200

GİRİŞ

- Bu alet, ağaç veya ağaca benzer malzemelere karton, yalıtım malzemesi, kumaş, folyo, deri ve benzeri malzemeleri zimbalamak ve çivilemek üzere tasarlanmıştır
- Alet, duvar ve tavan panellerinin bağlanması için uygun değildir
- Bu alet profesyonel kullanıma yönelik değildir
- Bu kullanma kılavuzunu okuyun ve saklayın ³

TEKNİK VERİLER ¹

ALET BİLEŞENLERİ ²

- A Hazneyi doldurma kolu
- B Kaydırıcı
- C Hazne
- D Perçin tabancası kafa
- E Açma/kapama şalteri
- F Tetik sviç
- G Darbe kontrolü seçim düğmesi
- H Yeniden yükleme göstergesi
- J Havalandırma yuvaları

GÜVENLİK

GENEL ELEKTRİKLİ EL ALETİ GÜVENLİK UYARILARI

UYARI Bu elektrikli el aletiyle birlikte gelen tüm güvenlik uyarılarını, talimatları, resim ve açıklamaları okuyun. Aşağıda bulunan talimatlara uyulmaması elektrik çarpmalarına, yangınlara ve/veya ağır yaralanmalara neden olabilir.

Tüm uyarı ve talimatları ilerde kullanmak üzere saklayın.

Uyarı ve talimat hükümlerinde kullanılan “elektrikli el aleti” kavramı, akım şebekesine bağlı (şebeke bağlantı kablosu ile) aletlerle akü ile çalışan aletleri (akım şebekesine bağlantısı olmayan aletler) kapsamaktadır.

1) ÇALIŞMA YERİ GÜVENLİĞİ

- a) **Çalıştığınız yeri temiz ve düzenli tutun.** İşyerindeki düzensizlik veya yetersiz aydınlatma kazalara neden olabilir.
- b) **Yanıcı sıvıların, gazların veya tozların bulunduğu çatıya tehlikesi olan yer ve mekânlarda aletinizle çalışmayın.** Elektrikli el aletleri, toz veya buharların tutuşmasına veya yanmasına neden olan kıvılcımlar çıkarırlar.
- c) **Elektrikli el aletinizle çalışırken çocukları ve başkalarını çalışma alanınızın uzağında tutun.** Yakınızdaki bulunan kişiler dikkatinizi dağıtabilir ve bu da alet üzerindeki kontrolünüzü kaybetmenize neden olabilir.

2) ELEKTRİKSEL GÜVENLİK

- a) **Aletinizin bağlantı fişi prize uymalıdır. Fişi hiçbir şekilde değiştirmeyin. Koruyucu topraklamalı aletlerle adaptörlü fiş kullanmayın.** Değiştirilmemiş, orijinal fiş ve uygun prizler elektrik çarpması tehlikesini azaltır.

- b) Borular, kalorifer tesisatı, ısıtıcılar ve buzdolapları gibi topraklanmış yüzeylerle bedensel temasa gelmekten kaçının. Eğer bedeniniz topraklanacak olursa yüksek bir elektrik çarpması tehlikesi ortaya çıkar.
- c) **Aletinizi yağmur ve nemden koruyun.** Elektrikli el aletinin içine suyun sızması elektrik çarpması tehlikesini yükseltir.
- d) **Kabloyu kendi amacı dışında kullanmayın; örneğin aleti kablodan tutarak taşımayın, aleti kablo ile asmayın veya kablodan çekerek fişi prizden çıkarmayın.** Kabloyu aşırı sıcağın, yağlardan, keskin kenarlı cisimlerden veya aletin hareketli parçalarından uzak tutun. Hasarlı veya dolaşmış kablo elektrik çarpması tehlikesini yükseltir.
- e) **Elektrikli el aletinizle açık havada çalışırken mutlaka açık havada kullanılmaya müsadeleli uzatma kablosu kullanın.** Açık havada kullanılmaya uygun ve müsadeleli uzatma kablosunun kullanılması elektrik çarpması tehlikesini azaltır.
- f) **Elektrikli el aletinin nemli ortamlarda çalıştırılması şartsa, mutlaka toprak kaçağı devre kesicisi kullanın.** Toprak kaçağı devre kesicisi kullanımı elektrik çarpması tehlikesini azaltır.
- 3) KİŞİLERİN GÜVENLİĞİ**
- a) **Dikkatli olun, ne yaptığınıza dikkat edin ve elektrikli el aletinizle çalışırken makul hareket edin.** Yorgunsanız, hap, ilaç veya alkol almışsanız aletinizi kullanmayın. Aletinizi kullanırken bir anlık dikkatsizliğiniz ciddi yaralanmalara yol açabilir.
- b) **Daima kişisel korunma donanımları ve bir koruyucu gözlük kullanın.** Elektrikli el aletinin türü ve kullanımına uygun olarak kullanacağınız toz maskesi, kaymayan sağlam iş ayakkabıları, koruyucu kask veya koruyucu kulaklık gibi kişisel korunma donanımlarını kullanmanız yaralanma tehlikesini büyük ölçüde azaltır.
- c) **Aleti yanlışlıkla çalıştırmaktan kaçının. Akım ikmal şebekesine ve/veya aküye bağlamadan, elinize alıp taşımadan önce elektrikli el aletinin kapalı durumda olduğundan emin olun.** Elektrikli el aletini parmağınızın şalteri üzerinde dururken taşırsanız ve alet açılınca fişi prize sokarsanız kazalara neden olabilirsiniz.
- d) **Aleti çalıştırmadan önce ayar aletlerini veya tornavidaları aletten uzaklaştırın.** Önden alet parçasına temas halinde bulunan bir uç veya anahtar yaralanmalara neden olabilir.
- e) **Kendinizi çok fazla güvenmeyin. Duruşunuzun güvenli olmasına dikkat edin ve daima dengenizi koruyun.** Bu sayede aletinizi beklenmedik durumlarda daha iyi kontrol edersiniz.
- f) **Uygun iş elbiseleri giyin. Geniş giysiler giymeyin ve takı takmayın. Saçlarınızı ve giysilerinizin aletin hareketli parçalarından uzak tutun.** Bol giysiler, takılar veya uzun saçlar aletin hareketli parçaları tarafından tutulabilir.
- g) **Aletinize toz emme donanımı ve toz tutma donanımı takılabiliyorsa, bunların bağlı olup olmadığını ve doğru işlev görüp görmediklerini kontrol edin.** Toz emme donanımının kullanımı tozdan kaynaklanabilecek tehlikeleri azaltır.
- h) **Aletleri sık kullanmanız sebebiyle kazadığınız alışkanlıklar, güvenlik prensiplerine uymazını önlememelidir.** Dikkatsiz bir hareket, bir anda ciddi yaralanmalara yol açabilir.

4) ELEKTRİKLİ EL ALETLERİYLE DİKKATLİ ÇALIŞMAK VE ALETİ DOĞRU KULLANMAK

- a) **Aletinizi aşırı ölçüde zorlamayın. İşinize uygun elektrikli el aletini kullanın.** Uygun elektrikli el aleti ile belirtilen performans alanında daha iyi ve daha güvenli çalışırsınız.
- b) **Açma/kapama şalteri arızalı olan elektrikli el aletini kullanmayın.** Açılıp kapanamayan bir elektrikli el aleti tehlikelidir ve onarılması gerekir.
- c) **Alette bir ayarlama işlemine başlamadan, herhangi bir aksesuarı değiştirirken veya aleti elinizden bırakırken fişi prizden çekin veya aküyü çıkarın.** Bu önlem, elektrikli el aletinin yanlışlıkla çalışmasını önler.
- d) **Kullanım dışında iken elektrikli el aletinizi çocukların ulaşamayacağı bir yerde saklayın. Aleti kullanmayı bilmeyen veya bu güvenlik talimatını okumayan kişilerin aleti kullanmasına izin vermeyin.** Deneyimsiz kişiler tarafından kullanıldıkları takdirde elektrikli el aletleri tehlikeli olabilirler.
- e) **Elektrikli el aletinizin ve aksesuarlarınızın bakımını özenle yapın. Aletin hareketli parçalarını kusursuz işlev görüp görmediklerini ve sıkışmadıklarını, parçaların kırık veya hasarlı olup olmadıklarını kontrol edin, aksi takdirde alet işlevini tam olarak yerine getiremez. Aletinizi kullanmadan önce hasarlı parçaları onartın.** Birçok iş kazası aletlerin kötü ve yetersiz bakımından kaynaklanır.
- f) **Kesici uçları keskin ve temiz tutun.** İyi bakım görmüş kesici uçlar daha ender sıkışır ve daha iyi yönlendirilirler.
- g) **Elektrikli el aletlerini, aksesuarı, uçları ve benzerlerini bu güvenlik talimatına uygun olarak kullanın. Aletinizi kullanırken çalışma koşullarını ve yaptığınız işi daima dikkate alın.** Elektrikli el aletlerini kendileri için öngörülen işlerin dışında kullanmak tehlikeli durumlara ortaya çıkmasına neden olabilir.
- h) **Tutamak ve kavrama yüzeylerini kuru, yağsız ve temiz tutun.** Kaygan tutamak ve kavrama yüzeyleri, aletin beklenmeyen durumlarda güvenli şekilde tutulmasını ve kontrol edilmesini engeller.
- 5) SERVİS**
- a) **Aletinizi sadece uzman bir elemana ve orijinal yedek parçaları kullanarak onartın.** Böylelikle aletin güvenliğini korumuş olursunuz.

DÖŞEMECİN TABANCASI İÇİN GÜVENLİK TALİMATI

- **Aletin kanca içerebileceğini hiçbir zaman unutmayın** (çakma aletinin dikkatsiz kullanımı beklenmeyen anlarda kancaların atılmasına ve yaralanmalara neden olabilir)
- **Aleti ile kendinizi veya yakınınızdaki kişileri hedeflemeyin** (beklenmeyen tetikleme sonucu bir kanca atılabilir ve yaralanmalar olabilir)
- **İş parçası üzerine sıkıca yerleştirmeden önce aletini çalıştırmayın** (aleti iş parçası ile temas halinde olmazsa kanca tespit yerinden fırlayabilir)
- **Kancalar aleti içinde sıkışacak olursa, aleti akım şebekesinden veya aküden ayırın** (çakma aleti akım şebekesine veya aküye bağlı olursa, sıkışan bir kancanın çıkarılması esnasında yanlışlıkla tetiklenebilir)
- **Sıkışan bir kancayı çıkarırken dikkatli olun** (sistem gergin olabilir ve siz sıkışmayı gidermek isterken kanca güçlü bir biçimde dışarı atılabilir)

- **Bu çakma aletini elektrik kablolarını tespit etmek için kullanmayın** (bu alet elektrik kablolarının döşenmesine uygun değildir; elektrik kablolarının izolasyonuna hasar verebilir ve elektrik çarpması veya yangınlara neden olabilir)
- **Çalıştığınız parçayı sabitleyin** (kıskaçlarla ya da mengeneyle sabitlenmiş bir iş parçası elle tutulan işten daha güvenilirdir)
- **Bu alet duysal ya da zihinsel olarak gelişmemiş ya da yeterli bilgi ve deneyime sahip olmayan çocukların ve kişiler tarafından kullanılmamalıdır**
- Çocukların aletle oynamasını engelleyin
- SKIL sadece orijinal aksesuarlar kullanıldığında aletin düzgün çalışmasını garanti eder
- Güç geriliminin, aletin özellikli plakasında belirtilen voltaj değerine aynı olarak sıklıkla kontrol edin
- İş parçasının vida, çivi ve benzeri malzeme tarafından hasar görmemesi için dikkatli olun; çalışmaya başlamadan önce bunları çıkartın
- Elektriksel veya mekaniksel hatalı çalışma durumunda aleti hemen kapatın ve fişi çekin
- Eğer cihazı kullanırken kordon hasar görür yada kesilirse, kordona kesinlikle dokunmayın ve derhal fişi çekiniz
- Kordon hasarlı iken cihazı kesinlikle kullanmayınız; uzman bir kişi tarafından değiştiriniz
- Tamamen kusursuz ve güvenli 16 Amp uzatma kabloları kullanın

ALET ÜZERİNDEKİ SİMGELERİN AÇIKLAMASI

- ③ Kullanmadan önce kılavuzu okuyun
- ④ Çift yalıtım (topraklama kablosu gerekli değildir)
- ⑤ Aleti evdeki çöp kutusuna atmayınız

KULLANIM

- Zimba/çivi doldurma ⑥
- **! şebeke fişini çekin**
 - aleti baş aşağı çevirin
 - B kaydırıcısını geriye doğru çekerken A koluna basın
 - zımbayı/çiviyi hazneye C ayaklar yukarı bakacak şekilde takın (maksimum kapasite 100 zimba/80 çivi)
 - kaydırıcıyı B yerine oturana kadar perçin tabancası kafaya D doğru itin
 - şerit çivi takarken (aletle birlikte verilmez) şerit çiviyi perçin tabancası kafadaki D ⑦ çivi simgesine karşılık gelen haznenin kenarlarına dayanacak şekilde eğin
 - zımbanın/çivinin ucu H ② aralığında görünüyorsa C haznesini yeniden yükleyin
- Aletin çalıştırılması ⑧
 - aleti E düğmesini "I" konumuna getirerek açık çalıştırın
 - zimba tabancası kafası D tamamen içeri girene kadar iş parçasına bastırın
 - F düğmesine kısa süre basın ve bırakın
 - **! çalışma esnasında, aleti daima gri renkli bölge(ler)den tutun (öz)**
 - aleti E düğmesini "O" konumuna getirerek açık kapatın
- Darbe kontrolü ⑨
 - G düğmesiyle gerekli darbe düzeyi minimumdan maksimuma kadar kademesiz olarak ayarlanabilir (- / +)
 - "-" ayarı, folyo ya da kumaş gibi ince ve yumuşak malzemeler içindir
 - "+" ayarı, sert ağaç ve duvar gibi kalın ve sert malzemeler içindir
 - işe başlamadan önce yedek malzeme üzerinde test ederek optimum darbe düzeyini bulun

UYGULAMA

- Panelleri tutturma ⑩
- Kumaş sabitleme ⑪
- Sert ahşap zımbalarken aletle birlikte verilenlerden daha kısa zımbalar kullanın
- Darbe etkisiyle yırtılmayı azaltmak için boş atış yapmaktan kaçının
- Daha fazla ipucu için www.skil.com sitesini gezin

BAKIM / SERVİS

- Bu alet profesyonel kullanıma yönelik değildir
- Aleti ve kablosunu daima temiz tutun (özellikle havalandırma yuvalarını J ⑫)
- **! temizledikten önce, cihazın fişini prizden çekin**
- Dikkatli biçimde yürütülen üretim ve test yöntemlerine rağmen aleti arıza yapacak olursa, onarım SKIL elektrikli aletleri için yetkili bir serviste yapılmalıdır
 - aleti ambalajıyla birlikte satın alma belgenizde ekleyerek satıcınıza veya en yakın SKIL servisine ulaştırın (adresler ve aletin servis şemaları www.skil.com adresinde listelenmiştir)

ÇEVRE

- **Elektrikli aletlerini, aksesuarları ve ambalajları evdeki çöp kutusuna atmayınız** (sadece AB ülkeleri için)
 - kullanılmış elektrikli aletleri, elektrik ve elektrikli eski cihazlar hakkındaki 2012/19/EC Avrupa yönergelerine göre ve bu yönergeler ulusal hukuk kurallarına göre uyarlanarak, ayrı olarak toplanmalı ve çevre şartlarına uygun bir şekilde tekrar değerlendirmeye gönderilmelidir
 - sembol ⑬ size bunu anımsatmalıdır

GÜRÜLTÜ / TİTREŞİM

- Ölçülen EN 60745 göre ses basıncı bu makinanın seviyesi 84 dB(A) ve çalışma sırasındaki gürültü 95 dB(A) (standart sapma: 3 dB), ve titreşim 7,0 m/s² (üç yönün vektör toplamı; tolerans K = 1,5 m/s²)
- Titreşim emisyon seviyesi EN 60745'te sunulan standart teste göre ölçülmüştür; bu seviye, bir aleti bir başkasıyla karşılaştırmak amacıyla ve aletin söz konusu uygulamalarda kullanılması sırasında titreşime maruz kalma derecesinin ön değerlendirmesi olarak kullanılabilir
 - aletin farklı uygulamalar için veya farklı ya da bakımı yetersiz yapılmış aksesuarlarla kullanılması, maruz kalma seviyesini belirgin biçimde **artırabilir**
 - aletin kapalı olduğu veya çalıştığı ancak gerçek anlamda iş yapmadığı zamanlarda, maruz kalma seviyesi belirgin biçimde **azalabilir**
- **! aletin ve aksesuarlarının bakımını yaparak, ellerinizi sıcak tutarak ve iş modellerinizi düzenleyerek kendinizi titreşimin etkilerinden koruyun**

WSTĘP

- Urządzenie to jest przeznaczone do zszywania i mocowania gwoździami kartonu, materiałów izolacyjnych, tkanin, folii, skóry i podobnych materiałów na powierzchniach drewnianych lub wykonanych z materiałów podobnych do drewna
- Narzędzie nie jest przeznaczone do mocowania panelów ściennych i sufitowych
- Narzędzie nie jest przeznaczone do zastosowań profesjonalnych
- Przeczytać i zachować niniejszą instrukcję obsługi ③

DANE TECHNICZNE ①

ELEMENTY NARZĘDZIA ②

- A Dźwignia do ładowania magazynku
- B Prowadnica
- C Magazynek
- D Głowica zszywająca
- E Włócznik/wyłącznik
- F Włócznik
- G Pokrętko kontroli energii uderzenia
- H Wskaźnik doładowania
- J Szczeliny wentylacyjne

BEZPIECZEŃSTWO

OGÓLNE OSTRZEŻENIA DOTYCZĄCE BEZPIECZEŃSTWA UŻYTKOWANIA ELEKTRONARZĘDZIA

⚠ OSTRZEŻENIE Należy przeczytać wszystkie ostrzeżenia i wskazówki dotyczące bezpieczeństwa użytkowania oraz przestudiować wszystkie rysunki i parametry techniczne, dostarczone wraz z niniejszym elektronarzędziem. Nieprzestrzeganie poniższych wskazówek może stać się przyczyną porażenia prądem elektrycznym, pożaru lub/i poważnych obrażeń ciała.

Wszystkie ostrzeżenia i wskazówki należy zachować do dalszego zastosowania.

Użyte w poniższym tekście pojęcie "elektronarzędzie" odnosi się do elektronarzędzi zasilanych energią elektryczną z sieci (z przewodem zasilającym) i do elektronarzędzi zasilanych akumulatorami (bez przewodu zasilającego).

1) BEZPIECZEŃSTWO MIEJSCA PRACY

- a) **Miejsce pracy należy utrzymywać w czystości i dobrze oświetlone.** Nieporządek lub nie oświetlone miejsce pracy mogą doprowadzić do wypadków.
- b) **Nie należy pracować tym narzędziem w otoczeniu zagrożonym wybuchem, w którym znajdują się np. łatwopalne ciecze, gazy lub pyły.** Elektronarzędzia wytwarzają iskry, które mogą podpalić ten pył lub pary.

c) **Elektronarzędzie trzymać podczas pracy z daleka od dzieci i innych osób.** Przy nieuwadze można stracić kontrolę nad narzędziem.

2) BEZPIECZEŃSTWO ELEKTRYCZNE

- a) **Wtyczka urządzenia musi pasować do gniazda. Nie wolno modyfikować wtyczki w jakikolwiek sposób. Nie należy używać wtyczek adapterowych razem z uziemionymi narzędziami.** Niezmiennione wtyczki i pasujące gniazda zmniejszają ryzyko porażenia prądem.
 - b) **Należy unikać kontaktu z uziemionymi powierzchniami jak rury, grzejniki, piece i lodówki.** Istnieje zwiększone ryzyko porażenia prądem, gdy Państwa ciało jest uziemione.
 - c) **Urządzenie należy przechowywać zabezpieczone przed deszczem i wilgocią.** Wniknięcie wody do elektronarzędzia podwyższa ryzyko porażenia prądem.
 - d) **Nigdy nie należy używać kabla do innych czynności. Nigdy nie używać kabla do noszenia urządzenia za kabel, zawieszania lub do wyciągania wtyczki z gniazda. Kabel należy trzymać z daleka od wysokich temperatur, oleju, ostrych krawędzi lub ruchomych części urządzenia.** Uszkodzone lub poplątane kable zwiększają ryzyko porażenia prądem.
 - e) **W przypadku, kiedy elektronarzędziem pracuje się na świeżym powietrzu należy używać kabla przedłużającego, który dopuszczony jest do używania na zewnątrz.** Użycie dopuszczonego do używania na zewnątrz kabla przedłużającego zmniejsza ryzyko porażenia prądem.
 - f) **Jeżeli nie da się uniknąć zastosowania elektronarzędzia w wilgotnym otoczeniu, należy użyć wyłącznika ochronnego różnicowo-prądowego.** Zastosowanie wyłącznika ochronnego różnicowo-prądowego zmniejsza ryzyko porażenia prądem.
- #### 3) BEZPIECZEŃSTWO OSÓB
- a) **Należy być uważnym, uważać na to co się robi i pracę elektronarzędziem rozpoczynać z rozsądkiem. Nie należy używać urządzenia gdy jest się zmęczonym lub pod wpływem narkotyków, alkoholu lub lekarstw.** Moment nieuwagi przy użyciu urządzenia może doprowadzić do poważnych urażeń ciała.
 - b) **Należy nosić osobiste wyposażenie ochronne i zawsze okulary ochronne.** Noszenie osobistego wyposażenia ochronnego jak maska przeciwpyłowa, nie ślizgające się buty robocze, hełm ochronny lub ochrona słuchu, w zależności od rodzaju i zastosowania elektronarzędzia zmniejsza ryzyko obrażeń ciała.
 - c) **Należy unikać niezamierzonego uruchomienia narzędzia. Przed włożeniem wtyczki do gniazdka i/ lub podłączeniem do akumulatora, a także przed podniesieniem lub przeniesieniem elektronarzędzia, należy upewnić się, że elektronarzędzie jest wyłączone.** Trzymanie palca na wyłączniku podczas przenoszenia elektronarzędzia lub podłączenie do prądu włączonego narzędzia, może stać się przyczyną wypadków.
 - d) **Zanim urządzenie zostanie włączone należy usunąć narzędzia nastawcze lub klucze.** Narzędzie lub klucz, które znajdują się w ruchomych częściach urządzenia mogą doprowadzić do obrażeń ciała.
 - e) **Nie należy przeceniać swoich możliwości. Należy dbać o bezpieczną pozycję pracy i zawsze**

utrzymywać równowagę. Przez to możliwa jest lepsza kontrola urządzenia w nieprzewidzianych sytuacjach.

- f) **Należy nosić odpowiednie ubranie. Nie należy nosić luźnego ubrania lub biżuterii. Włosy i ubranie należy trzymać z daleka od ruchomych elementów .Jej** Luźne ubranie, biżuteria lub długie włosy mogą zostać pociągnięte przez poruszające się części.
- g) **W przypadku, kiedy możliwe jest zamontowanie urządzeń odsysających lub podchwytyjących należy upewnić się, czy są one właściwie podłączone i prawidłowo użyte.** Użycie urządzenia odsysającego pył może zmniejszyć zagrożenie pyłami.
- h) **Nie wolno pozwolić, aby rutyna nabyta w wyniku wielokrotnego użycia elektronarzędzia, zastąpiła ściśle przestrzeganie zasad bezpieczeństwa.** Niedbale obsługiwane elektronarzędzie może w ułamku sekundy wyrządzić istotne szkody lub spowodować ciężkie obrażenia.

4) UWAGNE OBCOWANIE ORAZ UŻYCIĘ ELEKTRONARZĘDZIA

- a) **Należy przestać używać urządzenia. Do pracy używać należy elektronarzędzia, które jest do tego przewidziane.** Odpowiednim narzędziem pracuje się lepiej i bezpieczniej w podanym zakresie sprawności.
- b) **Należy używać elektronarzędzia, którego włącznik/wyłącznik jest uszkodzony.** Elektronarzędzie, którego nie można włączyć lub wyłączyć jest niebezpieczne i musi zostać naprawione.
- c) **Przed rozpoczęciem jakichkolwiek prac nastawczych, przed wymianą osprzętu lub przed odłożeniem elektronarzędzia należy wyjąć wtyczkę z gniazda sieciowego i/lub usunąć akumulator.** Ten środek ostrożności zapobiega niezamierzonemu włączeniu się urządzenia.
- d) **Nie używano elektronarzędzia należy przechowywać poza zasięgiem dzieci. Nie należy udostępniać narzędzia osobom, które jego nie umieją lub nie przeczytały tych przepisów.** Używane przez nieodpowiedzialne osoby elektronarzędzia są niebezpieczne.
- e) **Elektronarzędzia i osprzęt należy utrzymywać w nienagannym stanie technicznym. Należy kontrolować, czy ruchome części urządzenia funkcjonują bez zarzutu i nie są zablokowane, czy części nie są pęknięte lub uszkodzone, co mogłoby mieć wpływ na prawidłowe funkcjonowanie urządzenia. Uszkodzone narzędzie należy przed użyciem urządzenia oddać do naprawy.** Wiele wypadków spowodowanych jest przez niewłaściwą konserwację elektronarzędzi.
- f) **Osprzęt tnący należy utrzymywać ostry i czysty.** Starannie pielęgnowany osprzęt tnący z ostrymi krawędziami tnącymi blokuje się rzadziej i łatwiej się używa.
- g) **Elektronarzędzia, osprzęt, narzędzia itd. należy używać odpowiednio do tych przepisów. Uwzględnić należy przy tym warunki pracy i czynność do wykonania.** Użycie elektronarzędzi do innych niż przewidziane prace może doprowadzić do niebezpiecznych sytuacji.
- h) **Uchwyty i powierzchnie chwytowe powinny być zawsze suche, czyste, niezabrudzone olejem ani**

smarem. Śliskie uchwyty i powierzchnie chwytowe nie pozwalają na bezpieczne trzymanie narzędzia i kontrolę nad nim w nieoczekiwanych sytuacjach.

5) SERWIS

- a) **Naprawę urządzenia należy zlecić jedynie kwalifikowanemu fachowcowi i przy użyciu oryginalnych części zamiennych.** To gwarantuje, że bezpieczeństwo użytkownika zostanie zachowane.

PRZEPISY BEZPIECZEŃSTWA DLA ZSZYWKI

- **Należy zawsze wychodzić z założenia, że w narzędziu znajdują się zszywki** (niebatale obchodzenie się z urządzeniem do wbijania może wywołać nieoczekiwany wyrzut zszywek i spowodować poważne obrażenia)
- **Nie wolno kierować narzędzia w swoim kierunku ani w kierunku innych osób, znajdujących się w pobliżu** (nieoczekiwane uruchomienie urządzenia może wywołać wyrzut zszywki i spowodować poważne obrażenia)
- **Nie wolno włączać narzędzia przed przyłożeniem go do obrabianego materiału** (jeżeli narzędzie nie zostało przyłożone do obrabianego materiału, zszywka może odbić się od materiału)
- **Jeżeli zszywka zablokowała się w narzędziu, narzędzie należy odłączyć od sieci lub od akumulatora** (w przypadku podłączonego elektronarzędzia, podczas usuwania zablokowanej zszywki może dojść do niezamierzonego uruchomienia narzędzia)
- **Podczas usuwania zablokowanej zszywki należy zachować szczególną ostrożność** (podczas próby uwolnienia zablokowanej zszywki może się okazać, że napięty mechanizm silnie wyrzuci zszywkę)
- **Nie wolno stosować niniejszego urządzenia do wbijania do mocowania przewodów elektrycznych** (niniejsze narzędzie nie jest dostosowane do mocowania instalacji elektrycznych i może uszkodzić izolację przewodów elektrycznych, co z kolei może spowodować porażenie prądem I zagrożenie pożarowe)
- **Należy zabezpieczyć miejsce przeznaczone do zszycia** (miejsce przeznaczone do zszycia umieszczone w zaciskach lub imadle jest utrzymywane w miejscu bezpieczniej niż w ręku)
- **To urządzenie nie może być obsługiwane przez dzieci i osoby o obniżonych zdolnościach fizycznych, sensorycznych lub umysłowych, lub nieposiadające stosownego doświadczenia i wiedzy**
- Upewnić się, że dzieci nie bawią się urządzeniem
- SKIL może zagwarantować bezawaryjne działanie narzędzia tylko przy korzystaniu z oryginalnego wyposażenia dodatkowego
- Każdorazowo należy sprawdzać, czy napięcie zasilania jest zgodne z napięciem podanym na tabliczce znamionowej urządzenia
- Uwaga na gwoździe, śruby i inne twarde przedmioty; przed przystąpieniem do obróbki powinny być usunięte z obrabianego przedmiotu; usunąć je przed rozpoczęciem pracy
- W przypadku wadliwego działania mechanicznych lub elektrycznych elementów urządzenia, należy bezzwocznie odłączyć narzędzie i wyjąć wtyczkę

- W przypadku uszkodzenia lub przecięcia przewodu podczas pracy, nie wolno go dotykać, tylko należy natychmiast wyciągnąć z gniazdka wtyczkę
- Pod żadnym pozorem nie wolno korzystać z narzędzia z uszkodzonym przewodem; zlecę jego wymianę wykwalifikowanej osobie
- W przypadku korzystania z kabla przedłużającego należy zwrócić uwagę, aby był maksymalnie nawinięty na bęben oraz był przystosowany do przewodzenia prądu o natężeniu przynajmniej 16 A

OBJAŚNIENIE SYMBOLI NA NARZĘDZIU

- ③ Przed użyciem przeczytaj instrukcję obsługi
- ④ Podwójna izolacja (brak uziemienia)
- ⑤ Nie wyrzucaj narzędzie wraz z odpadami z gospodarstwa domowego

UŻYTKOWANIE

- Ładowanie zszywek/gwoździ ⑥
 - ! **wyjąć wtyk z gniazda sieciowego**
 - odwrócić narzędzie do góry nogami
 - proszę wcisnąć dźwignię A i jednocześnie odciągnąć prowadnicę B
 - następnie należy wprowadzić wkładki ze zszywkami/gwoździami do magazynku C z ramionami skierowanymi ku górze (maksymalna pojemność wynosi 100 zszywek/80 gwoździ)
 - proszę popchnąć prowadnicę B o głowicę zszywającą D aż do jej zatrzaśnięcia
 - przy wprowadzaniu wkładki z gwoździami (nie stanowią części zestawu) należy przechylić urządzenie w taki sposób, aby wkładka z gwoździami znalazła się w magazynku na stronie zgodnej z symbolem gwoździa na głowicy zszywającej D ⑦
 - gdy w otworze H ② pojawi się pasek oznaczający koniec zszywek lub gwoździ, doładuj magazynek C
- Obsługa narzędzia ⑧
 - włączenie narzędzia następuje poprzez ustawienie przycisku E w pozycji "I"
 - proszę mocno nacisnąć głowicę zszywającą D na miejsce przeznaczone do zszywania, aż głowica zostanie wciśnięta do końca
 - proszę krótko nacisnąć przełącznik F a następnie zwolnić go
 - ! **podczas pracy zawsze trzymać narzędzie za uchwyt(y) ograniczone szarym kolorem**
 - wyłączenie narzędzia następuje poprzez ustawienie przycisku E w pozycji "O"
- Kontrola energii uderzenia ⑨
 - Pokrętkę G można płynnie ustawić wymaganą energię uderzenia od minimum do maksimum (- / +)
 - "-" do cienkich i lekkich materiałów takich jak folie i tkaniny
 - "+" do grubych i mocnych materiałów takich jak twarde drewno i mury
 - przed rozpoczęciem pracy należy ustalić optymalną energię uderzenia wypróbując ją na kawałku niepotrzebnego materiału

WSKAZÓWKI UŻYTKOWANIA

- Montaż paneli ⑩
- Mocowanie tkanin ⑪
- Zszywki wbijane do twardego drewna powinny być krótsze od zszywek dołączonych do narzędzia
- Należy unikać pustych strzałów, aby obniżyć zużycie z powodu energii uderzenia
- Więcej wskazówek można znaleźć pod adresem www.skil.com

KONSERWACJA / SERWIS

- Narzędzie nie jest przeznaczone do zastosowań profesjonalnych
- Zawsze dbać o czystość narzędzia i przewodu zasilającego (a szczególnie otworów wentylacyjnych J ⑫)
- ! **przed przystąpieniem do czyszczenia należy wyjąć wtyk z gniazda sieciowego**
- Jeśli narzędzie, mimo dokładnej i wszechstronnej kontroli produkcyjnej ulegnie kiedykolwiek awarii, naprawę powinien przeprowadzić autoryzowany serwis elektronarzędzi firmy SKIL
 - odesłać **nierozebrany** narzędzie, wraz z dowodem zakupu, do dealera lub do najbliższego punktu usługowego SKIL (adresy oraz diagram serwisowy narzędzenia znajdują się na stronach www.skil.com)

ŚRODOWISKO

- **Nie wyrzucaj elektronarzędzi, akcesoriów i opakowania wraz z odpadami z gospodarstwa domowego** (dotyczy tylko państw UE)
 - zgodnie z Europejską Dyrektywą 2012/19/WE w sprawie zużytego sprzętu elektrotechnicznego i elektronicznego oraz dostosowaniem jej do prawa krajowego, zużyte elektronarzędzia należy posegregować i zutylizować w sposób przyjazny dla środowiska
 - w przypadku potrzeby pozbycia się narzędzia, akcesoriów i opakowania - symbol ⑤ przypomni Ci o tym

HAŁASU / WIBRACJE

- Pomiarów dokonano zgodnie z normą EN 60745 ciśnienie akustyczne narzędzia wynosi 84 dB(A) zaś poziom mocy akustycznej 95 dB(A) (poziom odchylenie: 3 dB), zaś vibracje 7,0 m/s² (suma wektorowa z trzech kierunków; błąd pomiaru K = 1,5 m/s²)
- Poziom emisji vibracji został zmierzony zgodnie z testem standaryzowanym podanym w EN 60745; może służyć do porównania jednego narzędzia z innym i jako ocena wstępna narażenia na vibracje w trakcie używania narzędzia do wymienionych zadań
 - używanie narzędzia do innych zadań, lub z innymi albo źle utrzymanymi akcesoriami, może znacząco **zwiększyć** poziom narażenia
 - przypadki, kiedy narzędzie jest wyłączane lub jest czynne, ale aktualnie nie wykonuje zadania, mogą znacząco **zmniejszyć** poziom narażenia
- ! **należy chronić się przed skutkami vibracji przez konserwację narzędzia i jego akcesoriów, zakładanie rękawic i właściwą organizację pracy**

ВСТУП

- Даний інструмент призначений для з'єднання скобами й цвяхами картону, ізоляційного матеріалу, тканини, фольги, шкіри й схожих матеріалів із дерев'яними поверхнями, а також поверхнями з подібних дереву матеріалів
- Даний інструмент не підходить для кріплення настінних або стельових панелей
- Цей інструмент не придатний для промислового використання
- Прочитайте і збережіть цю Інструкцію з експлуатації

③

ТЕХНІЧНІ ДАНІ ①

ЕЛЕМЕНТИ ІНСТРУМЕНТА ②

- A Ручка для завантаження магазину
- B Засувка
- C Магазин
- D Наконечник скобо/цвяхозабивного пістолету
- E Вимикач живлення
- F Курковий перемикач
- G Регулятор сили удару
- H Індикатор перезавантаження
- J Вентиляційні отвори

БЕЗПЕКА

ЗАГАЛЬНІ ВКАЗІВКИ З ТЕХНІКИ БЕЗПЕКИ ПОВОДЖЕННЯ З ЕЛЕКТРОІНСТРУМЕНТАМИ

⚠ ПОПЕРЕДЖЕННЯ Прочитайте всі вказівки з техніки безпеки, інструкції, ілюстрації та специфікації, надані з цим електроінструментом. Невиконання усіх поданих нижче інструкцій може призвести до ураження електричним струмом, пожежі і/або серйозної травми.

Добре зберігайте на майбутнє ці попередження і вказівки.

Під поняттям "електроприлад" в цих попередженнях мається на увазі електроприлад, що працює від мережі (з електрокабелем) або від акумуляторної батареї (без електрокабелю).

1) БЕЗПЕКА НА РОБОЧОМУ МІСЦІ

- Примайте своє робоче місце в чистоті та прибирайте його.** Безлад або погане освітлення на робочому місці можуть призводити до нещасних випадків.
- Не працюйте з приладом у середовищі, де існує небезпека вибуху внаслідок присутності горючих рідин, газів або пилу.** Електроприлади можуть породжувати іскри, від яких може займатися пил або пари.

c) Під час працювання з приладом не підпускайте до робочого місця дітей та інших людей. Ви можете втратити контроль над приладом, якщо Ваша увага буде відвернута.

2) ЕЛЕКТРИЧНА БЕЗПЕКА

- Штепсель приладу повинен пасувати до розетки. Не дозволяється що-небудь міняти в штепселі. Для роботи з приладами, що мають захисне заземлення, не використовуйте адаптери.** Використання оригінального штепселя та належної розетки зменшує ризик удару електричним струмом.
- Уникайте контакту частей тіла із заземленими поверхнями, як напр., трубами, батареями опалення, печами та холодильниками.** Коли Ваше тіло заземлене, існує збільшена небезпека удару електричним струмом.
- Захищайте прилад від дощу та вологи.** Попадання води в електроінструмент збільшує ризик удару електричним струмом.
- Не використовуйте кабель для перенесення приладу, підвішування або витягування штепселя з розетки. Захищайте кабель від жару, олії, гострих країв та деталей приладу, що рухаються.** Пошкоджений або закручений кабель збільшує ризик удару електричним струмом.
- Для зовнішніх робіт обов'язково використовуйте лише такий подовжувач, що допущений для зовнішніх робіт.** Використання подовжувача, що розрахований на зовнішні роботи, зменшує ризик удару електричним струмом.
- Якщо не можна запобігти використанню електроприладу у вологому середовищі, використовуйте пристрій захисту від витону в землю.** Використання зрострою захисту від витону в землю зменшує ризик удару електричним струмом.

3) БЕЗПЕКА ЛЮДЕЙ

- Будьте уважними, слідкуйте за тим, що Ви робите, та розсудливо поведіться під час роботи з електроприладом. Не користуйтеся приладом, якщо Ви стомлені або знаходитесь під дією наркотиків, спиртних напоїв або лік.** Мить неуважності при користуванні приладом може призводити до серйозних травм.
- Вдягайте особисте захисне спорядження та обов'язково вдягайте захисні окуляри.** Вдягання особистого захисного спорядження, як напр., - в залежності від виду робіт - захисної маски, спецвзуття, що не ковзається, каски або навушників, зменшує ризик травм.
- Уникайте ненависного вмикання. Перш ніж вмикати електроприлад в електромережу або встромляти акумуляторну батарею, брати його в руки або переносити, впевніться в тому, що електроприлад вимкнений.** Тримання пальця на вимикачі під час перенесення електроприладу або встромляння в розетку увімкнутого приладу може призводити до травм.
- Перед тим, як вмикати прилад, приберіть налагоджувальні інструменти та гайковий ключ.** Знаходження налагоджувального інструмента або ключа в деталі, що обертається, може призводити до травм.

- e) **Не переоцінюйте себе. Зберігайте стійке положення та завжди зберігайте рівновагу.** Це дозволить Вам краще зберігати контроль над приладом у несподіваних ситуаціях.
- f) **Вдягайте придатний одяг. Не вдягайте просторий одяг та прикраси. Не підставляйте волосся й одяг до деталей, що рухаються.** Просторий одяга, прикраси та довге волосся можуть попадати в деталі, що рухаються.
- g) **Якщо існує можливість монтувати пиловідсмоктувальні або пилоуловлювальні пристрої, переконайтеся, щоб вони були добре під'єднані та правильно використовувалися.** Використання пиловідсмоктувального пристрою може зменшити небезпеки, зумовлені пилом.
- h) **Добре знання електроінструментів, отримане в результаті частого їх використання, не повинно призводити до самовпевненості й ігнорування принципів техніки безпеки.** Необережна дія може в одну мить призвести до важкої травми.
- 4) ПРАВИЛЬНЕ ПОВЕДІННЯ ТА КОРИСТУВАННЯ ЕЛЕКТРОПРИЛАДАМИ**
- a) **Не перевантажуйте прилад. Використовуйте такий прилад, що спеціально призначений для певної роботи.** З придатним приладом Ви з меншим ризиком отримаєте кращі результати роботи, якщо будете працювати в зазначеному діапазоні потужності.
- b) **Не користуйтеся приладом з пошкодженим вимикачем.** Прилад, який не можна увімкнути або вимкнути, є небезпечним і його треба відремонтувати.
- c) **Перед тим, як регулювати що-небудь на приладі, міняти приладдя або ховати прилад, витягніть штепсель із розетки та/або витягніть акумуляторну батарею, якщо вона знімається.** Ці попереджувальні заходи з техніки безпеки зменшують ризик ненавмисного запуску приладу.
- d) **Зберігайте електроприлади, якими Ви саме не користуєтесь, далеко від дітей. Не дозволяйте користуватися електроприладом особам, що не знайомі з його роботою або не читали ці вказівки.** У разі застосування недосвідченими особами прилади несуть в собі небезпеку.
- e) **Старанно доглядайте за електроінструментами і приладдям.** Перевірте, щоб рухомі деталі приладу бездоганно працювали та не заїдали, не були полаганими або настільки пошкодженими, щоб це могло вплинути на функціонування приладу. Пошкоджені деталі треба відремонтувати в авторизованій майстерні, перш ніж ними можна знову користуватися. Велика кількість нещасних випадків спричиняється поганим доглядом за електроприладами.
- f) **Тримайте різальні інструменти добре нагостреними та в чистоті.** Старанно доглянуті різальні інструменти з гострим різальним краєм менше застряють та їх легше вести.
- g) **Використовуйте електроприлади, приладдя до них, робочі інструменти т.і. відповідно до цих вказівок.** Беріть до уваги при цьому умови роботи та специфіку виконуваної роботи.

Використання електроприладів для робіт, для яких вони не передбачені, може призводити до небезпечних ситуацій.

- h) **Тримайте рукоятки і поверхні захвату сухими і чистими, слідкуйте, щоб на них не було оливи або густого мастила.** Слизькі рукоятки і поверхні захвату унеможливають безпечне поводження з електроінструментом та його контролювання в неочікуваних ситуаціях.

5) СЕРВІС

- a) **Відавайте свій прилад на ремонт лише кваліфікованим фахівцям та лише з використанням оригінальних запчастин.** Це забезпечить безпечність приладу на довгий час.

ІНСТРУКЦІ З ТЕХНІКИ БЕЗПЕКИ ДЛЯ СКОБОЗАБИВНИХ ПІСТОЛЕТІВ

- **Завжди виходьте з того, що в інструмент є закріпки** (необережне поводження із скобозабивним пістолетом може призвести до несподіваного виштовхування закріпок, внаслідок чого Ви можете отримати травми)
- **Не спрямовуйте інструмент на себе та на інших людей поблизу** (внаслідок несподіваного приведення в дію скріпка виштовхується, що може призвести до травм)
- **Не приводьте інструмент в дію до тих пір, поки він не буде приставлений до оброблюваної заготовки** (якщо між інструментом і заготовкою немає контакту, закріпка може відскочити від місця закріплення)
- **Якщо закріпка застрягла в інструмент, від'єднайте інструмент від мережі або вийміть акумуляторну батарею** (якщо скобозабивний пістолет буде під'єднаний до живлення, під час витягування скріпки можливе випадкове приведення його в дію)
- **Будьте обережними при витягуванні скріпки, що застрягла** (механізм може знаходитися на зводі і скріпка може бути з силою виштовхнута, коли Ви будете пробувати витягти її)
- **Не використовуйте цей скобозабивний пістолет для закріплення електропроводки** (він не призначений для прокладення електропроводки, може пошкодити ізоляцію електрокабелю і призвести внаслідок цього до електричного удару та небезпеки пожежі)
- **Зафіксуйте оброблювану деталь** (оброблювана деталь, зафіксована за допомогою затискних пристроїв або лещат, закріплюється краще, ніж вручну)
- **Цей інструмент не призначено для використання дітьми та особами з обмеженими фізичними, сенсорними або розумовими можливостями або недостатнім досвідом і знаннями**
- Переконайтеся, що діти не мають змоги гратися з інструментом
- SKIL гарантує надійну роботу інструмента тільки при використанні відповідного приладдя
- Перед роботою перевірте відповідність струму в мережі із струмом, позначеним на інструменті

- Не допускайте пошкоджень, які можуть нанести шурупи, цвяхи і інші елементи вашому виробу; видаліть їх перед початком роботи
- У разі електричної або механічної несправності, негайно відключите інструмент і вимкніть з розетки
- Якщо шнур пошкоджений або прорізаний при роботі, не доторкайтеся до нього і негайно витягніть його з розетки
- Ніколи не використовуйте інструмент з пошкодженим шнуром; його повинен замінити кваліфікований фахівець
- Використовуйте повністю розгорнений шнур подовжувача, який може витримувати навантаження в 16 Ампер

ПОЯСНЕННЯ ДО УМОВНИХ ПОЗНАЧОК НА ІНСТРУМЕНТІ

- ③ Перед використанням прочитайте інструкцію із застосування
- ④ Подвійна ізоляція (заземлюючий провід не потрібен)
- ⑤ Не викидайте інструмент разом зі звичайним сміттям

ВИКОРИСТАННЯ

- Завантаження скоб/цвяхів ⑤
 - ! **вийняти вилку з розетки**
 - переверніть інструмент догори дном
 - натисніть на ручку А відсуваючи назад засувку В
 - вставте смужку скоб/цвяхів у магазин С повернувши їх ніжками догори (максимальна місткість 100 скоб/80 цвяхів)
 - засовуйте засувку В впритул до наконечнику скобо/цвяхозабивного пістолету D доки вона не клацне
 - вставляючи смужки цвяхів (не поставляються разом з інструментом), нахилить інструмент таким чином, щоб притиснути смужку цвяхів до того боку магазину, що збігає зі знаком цвяху на наконечнику скобо/цвяхозабивного пістолету D ⑦
 - перезавантажте магазин С, якщо в отворі видніється кінець смужки скоб або цвяхів Н ②
- Використання інструменту ③
 - вмикайте інструмент поставивши вимикач Е у положення "I"
 - щільно притисніть наконечник скобо/цвяхозабивного пістолету D до оброблюваної деталі, доки він не вдасться в неї повністю
 - коротко натисніть на вимикач F а потім знову відпустіть
 - ! **під час роботи, завжди тримайте інструмент за частини захвату сірого кольору**
 - вимкніть інструмент поставивши вимикач Е у положення "O"
- Регулювання сили удару ⑧
 - За допомогою регулятора G можна плавно встановити необхідну силу удару від мінімальної до максимальної (- / +)
 - "-" для тонких та легких матеріалів, таких як фольга й тканина
 - "+" для товстих та щільних матеріалів, таких як тверді породи дерева й стіни
 - до початку роботи визначте оптимальний рівень сили удару, виконавши тест на непотрібному шматку матеріалу

ПОРАДИ ПО ВИКОРИСТАННЮ

- Закріплення панелей ⑩
- Фіксування тканини ⑪
- Для забивання скоб у тверді породи деревини використовуйте більш короткі скоби, ніж ті, що входять в комплект інструмента
- Уникайте холостих вистрілювань пристрою, щоб скоротити пом'якшення сили удару
- Див додаткову інформацію на www.skil.com

ДОГЛЯД/ОБСЛУГОВУВАННЯ

- Цей інструмент не придатний для промислового використання
- Завжди тримайте інструмент та його шнур в чистоті (особливо вентиляційні отвори J ②)
 - ! **перед чистою інструменту необхідно роз'єднати штепсельний роз'єм**
- Якщо незважаючи на ретельну технологію виготовлення і перевірки інструмент все-таки вийде з ладу, його ремонт дозволяється виконувати лише в авторизованій сервісній майстерні для електроприладів SKIL
 - надішліть **нерозібраний** інструмент разом з доказом купівлі до Вашого дилера або до найближчого центру обслуговування SKIL (адреси, а також діаграма обслуговування пристрою, подаються на сайті www.skil.com)

ОХОРОНА НАВКОЛИШНЬОЇ СЕРЕДИ

- **Не викидайте електроінструмент, належності та упаківку разом зі звичайним сміттям** (тільки для країн ЄС)
 - відповідно до європейської директиви 2012/19/ЄС щодо утилізації старих електричних та електронних приладів, в залежності з місцевим законодавством, електроінструмент, який перебував в експлуатації повинен бути утилізований окремо, безпечним для навколишнього середовища шляхом
 - малюнок ⑤ нагадає вам про це

ШУМ / ВІБРАЦІЯ

- Зміряний відповідно до EN 60745 рівень тиску звуку даного інструменту 84 дБ(A) і потужність звуку 95 дБ(A) (стандартне відхилення: 3 дБ), і вібрація 7,0 м/с² (векторна сума трьох напрямків; похибка K = 1,5 м/с²)
- Рівень вібрації було виміряно у відповідності зі стандартизованим випробуванням, що міститься в EN 60745; дана характеристика може використовуватися для порівняння одного інструмента з іншим, а також для попередньої оцінки впливу вібрації під час застосування даного інструмента для вказаних цілей
 - при використанні інструмента в інших цілях або з іншими/несправними допоміжними пристосуваннями рівень впливу вібрації може значно **підвищуватися**

- у періоди, коли інструмент вимикнений або функціонує без фактичного виконання роботи, рівень впливу вібрації може значно **знижуватися**!
- ! захищайте себе від впливу вібрації, підтримуючи інструмент і його допоміжні пристосування в справному стані, підтримуючи руки в теплі, а також правильно організовуючи свій робочий процес**

GR

Καρφωτικό

8200

ΕΙΣΑΓΩΓΗ

- Το εργαλείο αυτό προορίζεται για το πιάσιμο και το κάρφωμα χαρτονιού, μονωτικού υλικού, υφασμάτων, φύλλων, δέρματος και ανάλογων υλικών σε επιφάνειες από ξύλο ή ανάλογο υλικό
- Το εργαλείο δεν είναι κατάλληλο για το μοντάρισμα επενδύσεων (πάνελ) σε τοίχους και οροφές
- Αυτό το εργαλείο δεν προορίζεται για επαγγελματική χρήση
- Διαβάστε και φυλάξτε αυτές τις οδηγίες χρήσεως ③

ΤΕΧΝΙΚΑ ΧΑΡΑΚΤΗΡΙΣΤΙΚΑ ①

ΜΕΡΗ ΤΟΥ ΕΡΓΑΛΕΙΟΥ ②

- A Μοχλός γεμιστήρα συνδετήρα
- B Σύρτης
- C Υποδοχή
- D Κεφαλή καρφωτικού
- E Διακόπτης εκκίνησης/στάσης
- F Διακόπτης σκανδάλης
- G Τροχός ρύθμισης δύναμης
- H Ενδείκτης επαναφόρτωσης
- J Σχισμές αερισμού

ΑΣΦΑΛΕΙΑ

ΓΕΝΙΚΕΣ ΥΠΟΔΕΙΞΕΙΣ ΑΣΦΑΛΕΙΑΣ ΓΙΑ ΗΛΕΚΤΡΙΚΑ ΕΡΓΑΛΕΙΑ

ΠΡΟΕΙΔΟΠΟΙΗΣΗ Διαβάστε όλες τις υποδείξεις ασφαλείας, οδηγίες, εικονογραφίες και όλα τα τεχνικά στοιχεία, που συνοδεύουν αυτό το ηλεκτρικό εργαλείο. Αμέλειες κατά την τήρηση των ακόλουθων υποδείξεων μπορεί να προκαλέσουν ηλεκτροπληξία, πυρκαγιά και/ή σοβαρούς τραυματισμούς.

Φυλάξτε όλες τις υποδείξεις ασφαλείας και τις οδηγίες για το μέλλον.

Ο ορισμός "ηλεκτρικό εργαλείο" που χρησιμοποιείται στις προειδοποιητικές υποδείξεις αναφέρεται σε ηλεκτρικά εργαλεία που τροφοδοτούνται από το ηλεκτρικό δίκτυο (με ηλεκτρικό καλώδιο) καθώς και σε ηλεκτρικά εργαλεία που τροφοδοτούνται από μπαταρία (χωρίς ηλεκτρικό καλώδιο).

1) ΑΣΦΑΛΕΙΑ ΣΤΟ ΧΩΡΟ ΕΡΓΑΣΙΑΣ

- a) Διατηρείτε το χώρο που εργάζεσθε καθαρό και καλά φωτισμένο. Αταξία στο χώρο που εργάζεσθε ή μη φωτισμένες περιοχές εργασίας μπορεί να οδηγήσουν σε ατυχήματα.
- b) Μην εργάζεσθε με το ηλεκτρικό εργαλείο σε περιβάλλον που υπάρχει κίνδυνος έκρηξης, στο οποίο υπάρχουν εύφλεκτα υγρά, αέρια ή σκόνη. Τα ηλεκτρικά εργαλεία μπορεί να δημιουργήσουν σπινθηρισμό ο οποίος μπορεί να αναφλέξει τη σκόνη ή τις αναθυμιάσεις.

- c) Όταν χρησιμοποιείτε το ηλεκτρικό εργαλείο κρατάτε τα παιδιά κι άλλα τυχόν πρόσωπα μακριά από το χώρο που εργάζεσθε. Σε περίπτωση που άλλα άτομα αποσπάσουν την προσοχή σας μπορεί να χάσετε τον έλεγχο του μηχανήματος.

2) ΗΛΕΚΤΡΙΚΗ ΑΣΦΑΛΕΙΑ

- a) Το φως του καλώδιου του ηλεκτρικού εργαλείου πρέπει να ταιριάζει στην αντίστοιχη πρίζα. Δεν επιτρέπεται με κανένα τρόπο η μετασκευή του φως. Μην χρησιμοποιείτε προσαρμοστικά φως σε συνδυασμό με ηλεκτρικά εργαλεία συνδεδεμένα με τη γη (γειωμένα). Αθικτα φως και κατάλληλες πρίζες μειώνουν τον κίνδυνο ηλεκτροπληξίας.
- b) Αποφεύγετε την επαφή του σώματος σας με γειωμένες επιφάνειες όπως σωλήνες, θερμαντικά σώματα (καλοριφέρ), κουζίνες και ψυγεία. Όταν το σώμα σας είναι γειωμένο αυξάνεται ο κίνδυνος ηλεκτροπληξίας.
- c) Μην εκθέτετε το ηλεκτρικό εργαλείο στη βροχή ή την υγρασία. Η διείσδυση νερού στο ηλεκτρικό εργαλείο αυξάνει τον κίνδυνο ηλεκτροπληξίας.
- d) Μην χρησιμοποιείτε το καλώδιο για να μεταφέρετε ή ν'αναρτήσετε το ηλεκτρικό εργαλείο ή για να βγάλετε το φως από την πρίζα. Κρατάτε το καλώδιο μακριά από υψηλές θερμοκρασίες, λάδια, κοφτερές ακμές ή κινούμενα εξαρτήματα. Τυχόν χαλασμένα ή μπερδεμένα καλώδια αυξάνουν τον κίνδυνο ηλεκτροπληξίας.
- e) Όταν εργάζεσθε με το ηλεκτρικό εργαλείο στο ύπαιθρο χρησιμοποιείτε πάντοτε καλώδια επιμήκυνσης (μπαλαντάζες) που έχουν εγκριθεί για χρήση σε εξωτερικούς χώρους. Η χρήση καλωδίων επιμήκυνσης εγκριμένων για εργασία σε εξωτερικούς χώρους μειώνει τον κίνδυνο ηλεκτροπληξίας.
- f) Όταν η χρήση του ηλεκτρικού εργαλείου σε υγρό περιβάλλον είναι αναπόφευκτη, τότε χρησιμοποιήστε έναν προστατευτικό διακόπτη διαρροής. Η χρήση ενός προστατευτικού διακόπτη διαρροής ελαττώνει τον κίνδυνο ηλεκτροπληξίας.

3) ΑΣΦΑΛΕΙΑ ΠΡΟΣΩΠΩΝ

- a) Να είστε πάντοτε προσεκτικός/προσεκτική, να δίνετε προσοχή στην εργασία που κάνετε και να χειρίζεσθε το ηλεκτρικό εργαλείο με περίσκεψη. Μην κάνετε χρήση του ηλεκτρικού εργαλείου όταν είστε κουρασμένος/κουρασμένη ή όταν βρίσκεσθε υπό την επιρροή ναρκωτικών, οινόπνευμάτων ή φαρμάκων. Μια στιγμιαία απροσεξία κατά το χειρισμό του ηλεκτρικού εργαλείου μπορεί να οδηγήσει σε σοβαρούς τραυματισμούς.

- b) **Φοράτε προστατευτικά ενδύματα και πάντοτε προστατευτικά γυαλιά.** Όταν φοράτε ενδύματα ασφαλείας, ανάλογα με το υπό χρήση ηλεκτρικό εργαλείο, όπως προσωπίδα προστασίας από σκόνη, αντιολισθητικά παπούτσια ασφαλείας, κράνη ή ωτασπίδες, μειώνεται ο κίνδυνος τραυματισμών.
- c) **Αποφεύγετε την αβέλητη εκκίνηση. Βεβαιωθείτε ότι το ηλεκτρικό εργαλείο έχει αποσυνδεθεί πριν το συνδέσετε με το ηλεκτρικό δίκτυο ή/και με την μπαταρία καθώς και πριν το παραλάβετε ή το μεταφέρετε.** Όταν μεταφέρετε το ηλεκτρικό εργαλείο έχοντας το δάχτυλό σας στο διακόπτη ή όταν συνδέσετε το μηχάνημα με την πηγή ρεύματος όταν αυτό είναι ακόμη συζευγμένο, τότε δημιουργείται κίνδυνος τραυματισμών.
- d) **Αφαιρείτε από τα ηλεκτρικά εργαλεία πριν τα θέσετε σε λειτουργία τυχόν συναρμολογημένα χρησιμοποιήσιμα εργαλεία ή κλειδιά.** Ενα εργαλείο ή κλειδί συναρμολογημένο στο περιστρεφόμενο εξάρτημα ενός ηλεκτρικού εργαλείου μπορεί να οδηγήσει σε τραυματισμούς.
- e) **Μην υπερκτιμάτε τον εαυτό σας. Φροντίζετε για την ασφαλή στήριξη του σώματος σας και διατηρείτε πάντοτε την ισορροπία σας.** Αυτό σας επιτρέπει τον καλύτερο έλεγχο το ηλεκτρικού εργαλείου σε περιπτώσεις απροσδόκητων καταστάσεων.
- f) **Φοράτε κατάλληλη ενδυμασία εργασίας. Μη φοράτε φαρδιά ρούχα ή κοσμήματα. Κρατάτε τα μαλλιά και τα ρούχα σας μακριά από κινούμενα εξαρτήματα.** Χαλαρή ενδυμασία, κοσμήματα και μακριά μαλλιά μπορεί να εμπλακούν στα κινούμενα εξαρτήματα.
- g) **Αν υπάρχει η δυνατότητα συναρμολόγησης διατάξεων αναρρόφησης ή συλλογής σκόνης, βεβαιωθείτε αν οι διατάξεις αυτές είναι συνδεδεμένες καθώς κι αν χρησιμοποιούνται σωστά.** Η χρήση μιας αναρρόφησης σκόνης μπορεί να ελαττώσει τον κίνδυνο που προκαλείται από τη σκόνη.
- h) **Μην εφησυχάζετε σε μια λάθος ασφάλεια και μην αφήσετε τους κανόνες ασφαλείας για τα ηλεκτρικά εργαλεία, ακόμα και όταν μετά από συχνή χρήση είστε εξοικειωμένοι με το εργαλείο.** Ένας απρόσεκτος χειρισμός μπορεί μέσα σε κλάσματα του δευτερολέπτου να οδηγήσει σε σοβαρούς τραυματισμούς.
- 4) ΧΡΗΣΗ ΚΙ ΕΠΙΜΕΛΗΣ ΧΕΙΡΙΣΜΟΣ ΤΩΝ ΗΛΕΚΤΡΙΚΩΝ ΕΡΓΑΛΕΙΩΝ**
- a) **Μην υπερφορτώνετε το ηλεκτρικό εργαλείο.** Χρησιμοποιείτε για την εκάστοτε εργασία σας το ηλεκτρικό εργαλείο που προορίζεται γι' αυτήν. Με το κατάλληλο ηλεκτρικό εργαλείο εργάζεστε καλύτερα και ασφαλέστερα στην αναφερόμενη περιοχή ισχύος.
- b) **Μη χρησιμοποιήσετε ποτέ ένα ηλεκτρικό εργαλείο του οποίου ο διακόπτης ON/OFF είναι χαλασμένος.** Ενα ηλεκτρικό εργαλείο το οποίο δεν μπορεί να τεθεί πλέον σε ή εκτός λειτουργίας είναι επικίνδυνο και πρέπει να επισκευαστεί.
- c) **Τραβήξτε το φως από την πρίζα και/ή απομακρύνετε μια αποσπώμενη μπαταρία, προτού εκτελέσετε ρυθμίσεις στο ηλεκτρικό εργαλείο, προτού αλλάξετε εξαρτήματα ή φυλάξετε το**

ηλεκτρικό εργαλείο. Αυτά τα προληπτικά μέτρα ασφαλείας μειώνουν τον κίνδυνο από τυχόν αβέλητη εκκίνηση του ηλεκτρικού εργαλείου.

- d) **Διαφυλάγετε τα ηλεκτρικά εργαλεία που δε χρησιμοποιείτε μακριά από παιδιά. Μην αφήνετε άτομα που δεν είναι εξοικειωμένα με το ηλεκτρικό εργαλείο ή δεν έχουν διαβάσει αυτές τις οδηγίες χρήσης να το χρησιμοποιήσουν.** Τα ηλεκτρικά εργαλεία είναι επικίνδυνα όταν χρησιμοποιούνται από άπειρα πρόσωπα.
- e) **Φροντίζετε τα ηλεκτρικά εργαλεία και τα εξάρτημα με επιμέλεια. Ελέγχετε, αν τα κινούμενα εξαρτήματα λειτουργούν άψογα, χωρίς να μπλοκάρουν, ή μήπως έχουν σπάσει ή φθαρεί τυχόν εξαρτήματα τα οποία επηρεάζουν τον τρόπο λειτουργίας του ηλεκτρικού εργαλείου. Δώστε αυτά τα χαλασμένα εξαρτήματα για επισκευή πριν τα ξαναχρησιμοποιήσετε.** Η κακή συντήρηση των ηλεκτρικών εργαλείων αποτελεί αιτία πολλών ατυχημάτων.
- f) **Διατηρείτε τα κοπτικά εργαλεία κοφτερά και καθαρά.** Τα κοπτικά εργαλεία που συντηρούνται με προσοχή μπορούν να οδηγηθούν εύκολα και να ελεγχθούν καλύτερα.
- g) **Χρησιμοποιείτε τα ηλεκτρικά εργαλεία, τα εξαρτήματα, τα χρησιμοποιήσιμα εργαλεία κτλ. σύμφωνα με τις παρούσες οδηγίες καθώς, λαμβάνετε ταυτόχρονα υπόψη σας τις συνθήκες εργασίας και την υπό εκτέλεση εργασία.** Η χρήση του ηλεκτρικού εργαλείου για άλλες εκτός από τις προβλεπόμενες εργασίες μπορεί να δημιουργήσει επικίνδυνες καταστάσεις.
- h) **Διατηρείτε τις λαβές και επιφάνειες λαβής στεγνές, καθαρές και ελεύθερες από λάδι και γράσο.** Οι ολισθηρές λαβές και επιφάνειες λαβής δεν επιτρέπουν κανέναν ασφαλή χειρισμό και έλεγχο του ηλεκτρικού εργαλείου σε τυχόν απρόβλεπτες καταστάσεις.
- 5) SERVICE**
- a) **Δίνετε το ηλεκτρικό σας εργαλείο για επισκευή από άριστα ειδικευμένο προσωπικό, μόνο με γνήσια ανταλλακτικά.** Ετσι εξασφαλίζεται η διατήρηση της ασφάλειας του ηλεκτρικού εργαλείου.

ΟΔΗΓΙΕΣ ΑΣΦΑΛΕΙΑΣ ΓΙΑ ΚΑΡΦΩΤΙΚΑ

- **Να υπολογίζετε πάντοτε ότι το εργαλείο περιέχει δίχαλα (ο ανέμελος χειρισμός του καρφωτικού μπορεί να οδηγήσει στην αναπάντεχη εκτόξευση δίχαλων και να τραυματιστείτε)**
- **Να μη σταθευτέ με το εργαλείο εσάς τον ίδιο ή άλλα παρευρισκόμενα άτομα (σε περίπτωση κατά λάθος ενεργοποίησης θα εκτοξευτεί ένα δίχαλο που μπορεί να σας τραυματίσει)**
- **Να μην ενεργοποιήσετε το εργαλείο πριν το ακουμπήσετε καλά επάνω στο υπό κατεργασία τεμάχιο (όταν το εργαλείο δεν έχει επαφή με το υπό κατεργασία τεμάχιο το δίχαλο μπορεί να ανατιναχτεί από την υπό στερέωση θέση)**
- **Να διακόπτετε τη σύνδεση του εργαλείου με το δίκτυο ή την μπαταρία όταν το δίχαλο σφηνώσει μέσα στο εργαλείο (όταν το καρφωτικό είναι**

- συνδεδεμένο μπορεί να ενεργοποιηθεί κατά λάθος όταν θα αφαιρείτε το σφηνωμένο δίχαλο)
- **Να είστε προσεκτικός όταν αφαιρείτε ένα σφηνωμένο δίχαλο** (το σύστημα μπορεί να είναι οπλισμένο και το δίχαλο να εκτοξευτεί με ορμή όταν προσπαθείτε να εξουδετερώσετε το σφηνώμα)
 - **Μην χρησιμοποιήσετε αυτό το καρφωτικό για να στερεώσετε ηλεκτρικές γραμμές** (δεν είναι κατάλληλο για την εγκατάσταση ηλεκτρικών γραμμών, μπορεί να προκαλέσει ζημιά στη μόνωση των ηλεκτρικών καλωδίων και να προκαλέσει έτσι ηλεκτροπληξία ή κίνδυνο πυρκαγιάς)
 - **Στερεώστε το κομμάτι εργασίας** (το κομμάτι εργασίας συγκρατείται καλύτερα με σφιγκτήρες ή σε μέγγενη παρά με το χέρι)
 - **Το εργαλείο αυτό δεν προορίζεται για χρήση από παιδιά και άτομα με μειωμένες φυσικές, αισθητικές ή νοητικές ικανότητες, ή από άτομα χωρίς εμπειρία ή γνώση**
 - Βεβαιωθείτε ότι τα παιδιά δεν παίζουν με το εργαλείο
 - Η SKIL εγγυάται την τέλεια λειτουργία του εργαλείου μόνο όταν χρησιμοποιούνται αυθεντικά εξαρτήματα
 - Βεβαιωθείτε ότι η τάση του παρεχόμενου ρεύματος είναι ίδια με την τάση που υποδεικνύεται στην πινακίδα δεδομένων του εργαλείου
 - Προφυλάξτε το εργαλείο από τυχόν φθορές από ξένα σώματα (βίδες, καρφιά ή άλλα) που ίσως είναι μέσα στο κομμάτι που θα δουλέψετε - αφαιρέστε τα πριν αρχίσετε την εργασία
 - Σε περίπτωση ηλεκτρικής ή μηχανικής δυσλειτουργίας, σταματήστε αμέσως το εργαλείο και βγάλτε το από την πρίζα
 - Σε περίπτωση που υποστεί βλάβη ή κοπεί το καλώδιο κατά την εργασία, μην αγγίζετε το καλώδιο, αλλά αποσυνδέστε αμέσως το φιν από την πρίζα
 - Ποτέ μη χρησιμοποιείτε το εργαλείο όταν έχει υποστεί βλάβη το καλώδιο - το καλώδιο θα πρέπει να αντικατασταθεί από έναν εξειδικευμένο τεχνίτη
 - Χρησιμοποιείτε ασφαλείς, τελείως ξετυλιγμένες προεκτάσεις καλωδίου με χωρητικότητα 16 Amps

ΕΠΕΞΗΓΗΣΗ ΤΩΝ ΣΥΜΒΟΛΩΝ ΣΤΟ ΕΡΓΑΛΕΙΟ

- ③ Διαβάστε το εγχειρίδιο οδηγιών πριν από τη χρήση
- ④ Διπλή μόνωση (δεν απαιτείται καλώδιο γείωσης)
- ⑤ Μην πετάτε το εργαλείο στον κάδο οικιακών απορριμμάτων

ΧΡΗΣΗ

- Φόρτωσε συνδετήρων/καρφιών ⑥
- ! **βγάλτε το φιν από την πρίζα**
- αναποδογυρίστε το εργαλείο
- πατήστε τον μοχλό Α τραβώντας παράλληλα τον σύρτη Β προς τα πίσω
- τοποθετήστε τη δεσμίδα συνδετήρων/καρφιών στον γεμιστήρα C με τις αιχμές στραμμένες προς τα πάνω (μέγιστη χωρητικότητα 100 συνδετήρες/80 καρφιά)
- πιέστε τον σύρτη Β πάνω στην κεφαλή του καρφωτικού D μέχρι να κουμπώσει
- όταν τοποθετείτε δεσμίδα καρφιών (δεν διατίθεται με το εργαλείο) έχετε το εργαλείο στραμμένο έτσι, ώστε η δεσμίδα των καρφιών να ακουμπά στην πλευρά του γεμιστήρα που αντιστοιχεί στο σύμβολο του καρφιού στην κεφαλή του καρφωτικού D ⑦

- Ξαναγεμίστε το γεμιστήρα C όταν στο άνοιγμα εμφανιστεί η λωρίδα τέλους συνδετήρων ή καρφιών H ②
- Χειρισμός του εργαλείου ⑧
- Ξεκινάτε το εργαλείο πιέζοντας το διακόπτη Ε στη θέση "I"
- πιέστε σταθερά την κεφαλή του καρφωτικού D πάνω στο κομμάτι εργασίας μέχρι να μπει τελείως μέσα
- πατήστε σύντομα την σκανδάλη F και αφήστε πάλι
- ! **ενώ εργάζεστε, να κρατάτε πάντα το εργαλείο από τ/τις λαβή/ές με γκρι χρώμα**
- σταματήστε το εργαλείο πιέζοντας το διακόπτη Ε στη θέση "O"
- Ρύθμιση δύναμης ⑨
- Με τον τροχό G μπορεί να ρυθμιστεί τη δύναμη του καρφώματος με αδιαβάβητο τρόπο, από το ελάχιστο στο μέγιστο (- / +)
- "—" για λεπτά και ελαφρά υλικά, όπως φύλλα και υφάσματα
- "+" για χοντρά και σκληρά υλικά όπως σκληρά ξύλα και τοίχους
- πριν ξεκινήσετε την εργασία, βρείτε την ιδανική ρύθμιση της δύναμης κάνοντας δοκιμές πάνω σε ένα δείγμα του υλικού

ΟΔΗΓΙΕΣ ΕΦΑΡΜΟΓΗΣ

- Κάρφωμα πανέλων ⑩
- Κάρφωμα υφασμάτων ⑪
- Για τη συρραφή σκληρού ξύλου, χρησιμοποιήστε κοντύτερους συνδετήρες από εκείνους που παρέχονται μαζί με το εργαλείο
- Αποφύγετε τα τυφλά χτυπήματα για να περιορίσετε τη φθορά της κεφαλής
- Για περισσότερες συμβουλές δείτε www.skil.com

ΣΥΝΤΗΡΗΣΗ / ΣΕΡΒΙΣ

- Αυτό το εργαλείο δεν προορίζεται για επαγγελματική χρήση
- Κρατάτε πάντοτε το εργαλείο και το καλώδιο καθαρά (και ιδιαίτερα τις θυρίδες αερισμού J ②)
- ! **αφαιρέστε την πρίζα πριν το καθάρισμα**
- Αν παρ' όλες τις επιμελημένες μεθόδους κατασκευής κι ελέγχου το εργαλείο σταματήσει κάποτε να λειτουργεί, τότε η επισκευή του πρέπει να ανατεθεί σ' ένα εξουσιοδοτημένο συνεργείο για ηλεκτρικά εργαλεία της SKIL
- στείλτε το εργαλείο **χωρίς να το αποσυναρμολογήσετε** μαζί με την απόδειξη αγοράς στο κατάστημα από το οποίο το αγοράσατε ή στον πλησιέστερο σταθμό τεχνικής εξυπηρέτησης της SKIL (θα βρείτε τις διευθύνσεις και το διάγραμμα συντήρησης του εργαλείου στην ιστοσελίδα www.skil.com)

ΠΕΡΙΒΑΛΛΟΝ

- **Μην πετάτε τα ηλεκτρικά εργαλεία, εξαρτήματα και συσκευασία στον κάδο οικιακών απορριμμάτων** (μόνο για τις χώρες της ΕΕ)
- σύμφωνα με την ευρωπαϊκή οδηγία 2012/19/ΕΚ περί ηλεκτρικών και ηλεκτρονικών συσκευών και την

ενσωματώσεώς της στο εθνικό δίκαιο, τα ηλεκτρικά εργαλεία πρέπει να συλλέγονται ξεχωριστά και να επιστρέφονται για ανακύκλωση με τρόπο φιλικό προς το περιβάλλον

- το σύμβολο ⑤ θα σας το θυμήσει αυτό όταν έλθει η ώρα να πετάξετε τις

ΘΟΥΡΥΒΟΣ / ΚΡΑΔΑΣΜΟΣ

- Μετρημένη σύμφωνα με EN 60745 η στάθμη ακουστικής πίεσης αυτού του εργαλείου ανέρχεται σε 84 dB(A) και η στάθμη ηχητικής ισχύος σε 95 dB(A) (κοινή απόκλιση: 3 dB), και ο κραδασμός σε 7,0 m/s² (άθροισμα ανυσμάτων τριών κατευθύνσεων - ανασφάλεια K = 1,5 m/s²)
 - Το επίπεδο παραγωγής κραδασμών έχει μετρηθεί σύμφωνα με μια τυποποιημένη δοκιμή που αναφέρεται στο πρότυπο EN 60745 - μπορεί να χρησιμοποιηθεί για τη σύγκριση ενός εργαλείου με ένα άλλο, καθώς και ως προκαταρκτική αξιολόγηση της έκθεσης στους κραδασμούς όταν το εργαλείο χρησιμοποιείται για τις εφαρμογές που αναφέρονται
 - η χρήση του εργαλείου για διαφορετικές εφαρμογές ή με διαφορετικά ή κακοσυντηρημένα εξαρτήματα μπορεί να αυξήσει σημαντικά το επίπεδο έκθεσης
 - όταν το εργαλείο είναι απενεργοποιημένο ή δουλεύει αλλά δεν εκτελεί την εργασία, το επίπεδο έκθεσης μπορεί να μειωθεί σημαντικά
- ! προστατευτείτε από τις επιδράσεις των κραδασμών συντηρώντας σωστά το εργαλείο και τα εξαρτήματά του, διατηρώντας τα χέρια σας ζεστά και οργανώνοντας τον τρόπο εργασίας σας**

RO

Capsator

8200

INTRODUCERE

- Acest instrument este destinat capsării și fixării cu cuie a cartonului, materialului izolan, textilelor, tablei, pielii și materialelor similare pe suprafețe din lemn și materiale similare lemnului
- Instrumentul nu este adecvat pentru fixarea panourilor pe pereți și plafoane
- Această sculă nu este destinată utilizării profesionale
- Citiți și păstrați acest manual de instrucțiuni ③

DATE TEHNICE ①

ELEMENTELE SCULEI ②

- A Manetă pentru încărcare rezervor
- B Culisou
- C Rezervor
- D Cap capsatorului
- E Întrerupător pornit/oprit
- F Întrerupător trăgaci
- G Rotiță selecție pt. controlul impactului
- H Indicator de reincărcare
- J Fantele de ventilație

SIGURANȚA

INSTRUCȚIUNI GENERALE DE SIGURANȚĂ PENTRU SCULE ELECTRICE

AVERTISMENT Citiți toate avertizările, instrucțiunile, ilustrațiile și specificațiile puse la dispoziție împreună cu această sculă electrică. Nerespectarea instrucțiunilor menționate mai jos poate duce la electrocutare, incendii și/ sau vătămări corporale grave.

Păstrați toate avertizările și instrucțiunile în vederea consultării ulterioare.

Termenul de "sculă electrică" folosit în indicațiile de avertizare se referă la sculele electrice alimentate de la rețea (cu cablu de alimentare) și la sculele electrice cu acumulator (fără cablu de alimentare).

1) SIGURANȚA LA LOCUL DE MUNCĂ

- Păstrați-vă locul de muncă curat și bine iluminat.**
Dezordinea la locul de muncă sau existența unor sectoare de lucru neiluminate poate duce la accidente.
- Nu folosiți mașina în medii cu pericol de explozie, acolo unde există lichide, gaze sau pulberi inflamabile.** Sculele electrice pot produce scântei care să aprindă pulberile sau vaporii.
- Nu permiteți accesul copiilor și al altor persoane în timpul lucrului cu mașina.** Dacă vi se distrage atenția puteți pierde controlul asupra mașinii.

2) SECURITATE ELECTRICĂ

- Ștecherul de racordare a mașinii trebuie să se potrivească cu priza de alimentare. Nu este permisă în nici-un caz modificarea ștecherului.** Nu folosiți adaptoare pentru ștechere la mașinile legate la pământ. Ștecherele nemodificate și prizele de curent adecvate acestora reduc riscul de electrocutare.
- Evitați contactul corporal cu suprafețe legate la pământ ca țevi, radiatoare, plite electrice și frigider.** Există un risc crescut de electrocutare atunci când corpul dv. este și el legat la pământ.
- Nu lăsați mașina afară în ploaie sau în medii umede.** Riscul de electrocutare crește atunci când într-o sculă electrică pătrunde apă.
- Nu trageți niciodată mașina de cordonul de alimentare pentru a o transporta, a o atârna sau a scoate ștecherul din priza de curent. Feriți cordonul de alimentare de căldură, ulei, mυχii ascuțiți sau de subsamble aflate în mișcare.** Un cordon de alimentare deteriorat sau înfășurat mărește riscul de electrocutare.
- Atunci când lucrați cu scula electrică în aer liber, folosiți numai cordoane prelungitoare autorizate pentru exterior.** Întrebuințarea unui cordon prelungitor adecvat utilizării în aer liber reduce riscul de electrocutare.
- Atunci când nu poate fi evitată utilizarea sculei electrice în medii umede, folosiți un întrerupător de circuit cu împământare.** Folosirea unei întrerupător de circuit cu împământare reduce riscul de electrocutare.

3) SECURITATEA PERSOANELOR

- Fiți vigilenți, fiți atenți la ceea ce faceți și procedați rațional atunci când lucrați cu scula electrică. Nu**

- folosii mașina dacă sunteți oboșiți sau vă aflați sub influența drogurilor, alcoolului sau a medicamentelor. Un moment de neatenție în timpul lucrului cu mașina poate duce la răni grave.
- b) **Purtați echipament de protecție personală și întotdeauna ochelari de protecție.** Folosirea echipamentelor de protecție a persoanei ca mască de protecție împotriva prafului, încălțăminte antiderapantă, cască de protecție sau aparat de protecție auditivă, în funcție de tipul și domeniul de folosire al sculei electrice, reduce riscul rănilor.
- c) **Evitați o punere în funcțiune involuntară. Înainte de a introduce ștecherul în priză și/sau de a introduce acumulatorul în scula electrică, de a o ridica sau de a o transporta, asigurați-vă că aceasta este oprită.** Dacă atunci când transportați scula electrică țineți degetul pe întrerupător sau dacă porniți scula electrică înainte de a o racorda la rețeaua de curent, puteți provoca accidente.
- d) **Înainte de a pune mașina în funcțiune scoateți afară cheile reglabile și fixe.** O cheie reglabilă sau fixă, aflată într-o componentă de mașină care se rotește, poate provoca răni.
- e) **Nu vă supraapreciați. Asigurați-vă o poziție stabilă și păstrați-vă întotdeauna echilibrul.** Astfel veți putea controla mai bine mașina în situații neașteptate.
- f) **Purtați îmbrăcăminte de lucru adecvată. Nu purtați haine largi sau podoabe. Feriți părul și îmbrăcămintea de piesele aflate în mișcare.** Îmbrăcămintea largă, podoabele și părul lung pot fi prinse de piesele aflate în mișcare.
- g) **Dacă există posibilitatea montării de echipamente și instalații de aspirare și colectare a prafului, asigurați-vă că acestea sunt conectate și folosite corect.** Folosirea unei instalații de aspirare a prafului poate duce la reducerea poluării cu praf.
- h) **Nu vă lăsați amăgiți de ușurința în operare dobândită în urma folosirii frecvente a sculelor electrice și nu ignorați principiile de siguranță ale acestora.** Neglijența poate provoca, într-o fracțiune de secundă, vătămări corporale grave
- 4) MANEVRAȚI ȘI FOLOSIȚI CU GRIJĂ SCULELE ELECTRICE**
- a) **Nu suprasolicitați mașina. Folosiți scula electrică destinată executării lucrării dumneavoastră.** Cu scula electrică potrivită lucrăți mai bine și mai sigur în domeniul de putere specificat.
- b) **Nu folosiți scula electrică dacă are întrerupătorul defect.** O sculă electrică, care nu mai poate fi pornită sau oprită este periculoasă și trebuie reparată.
- c) **Scoateți ștecherul afară din priză și/sau îndepărtați acumulatorul dacă este detașabil, înainte de a executa reglaje, a schimba accesoriilor sau a depozita scula electrică.** Această măsură preventivă reduce riscul unei porniri involuntare a mașinii.
- d) **În caz de nefolosire păstrați mașinile la loc inaccesibil copiilor. Nu permiteți persoanelor care nu sunt familiarizate cu mașina sau care n-au citit prezentele instrucțiuni, să folosească mașina.** Sculele electrice sunt periculoase atunci când sunt folosite de persoane fără experiență.

- e) **Întrețineți sculele electrice și accesoriile acestora. Controlați dacă componentele mobile funcționează corect și dacă nu se blochează, dacă nu există piese defecte sau deteriorate, care să afekteze funcționarea mașinii. Înainte de a repune în funcțiune mașina, duceți-o la un atelier de asistență service pentru repararea sau înlocuirea pieselor deteriorate.** Multe accidente s-au datorat întreținerii defectuoase a sculelor electrice.
- f) **Păstrați accesoriile bine ascuțite și curate.** Accesoriile atent întreținute, cu muchii tăietoare bine ascuțite se blochează mai greu și pot fi conduse mai ușor.
- g) **Folosiți sculele electrice, accesoriile, dispozitivele de lucru etc. conform prezentelor instrucțiuni. Țineți seama de condițiile de lucru și de lucrarea care trebuie executată.** Întrebuințarea unor scule electrice destinate altor utilizări decât cele preconizate, poate duce la situații periculoase.
- h) **Mentineți mânerul și zonele de prindere uscate, curate și feriți-le de ulei și unsoare.** Mânerul și zonele de prindere alunecoase nu permit manevrarea și controlul sigur al sculei electrice în situații neașteptate.
- 5) SERVICIU**
- a) **Permiteți repararea mașinii dumneavoastră numai de către un specialist calificat și numai cu piese de schimb originale.** În acest mod este garantată menținerea siguranței de exploatare a mașinii.

INSTRUCȚIUNI DE SIGURANȚĂ PENTRU CAPSATOR

- **Plecați întotdeauna de la premisa că scula conține capse** (manevrarea neatență a capsatorului poate duce la împușcarea neașteptată a capselor și vă poate răni)
- **Nu îndreptați scula asupra propriei persoane și nici asupra altor persoane din apropiere** (printr-o declanșare neașteptată a percuției poate fi împușcată o capsă, ceea ce poate duce la răni)
- **Nu acționați scula înainte de a fi așezat-o și fixat-o bine pe piesa de lucru** (dacă scula nu are contact cu piesa de lucru, capsele pot ricoșa din locul de fixare)
- **Deconectați alimentarea sculei de la rețea sau de la acumulator în cazul în care capsele s-au blocat în scula** (în cazul în care capsatorul este conectat, el poate fi acționat accidental în timpul îndepărtării unei capse blocate)
- **Fiți precauți atunci când îndepărtați capsele blocate** (sistemul poate fi armat iar capsele vor fi împușcate în forță în timp ce dumneavoastră încercați să înlăturați blocajul)
- **Nu folosiți acest capsator pentru fixarea conductorilor electrici** (el nu este adecvat pentru instalarea de conductori electrici, putând deteriora izolația cablurilor electrice și ducând astfel la electrocutare și incendii)
- **Securizați piesa de lucru** (o piesă de lucru fixată cu clame sau într-o menghină este ținută mult mai în siguranță decât manual)
- **Această sculă nu este destinată utilizării de către copii și persoane cu capacități reduse fizice, senzoriale sau mentale, sau fără experiență și cunoștințe**
- **Asigurați-vă că copii nu se joacă cu scula**

- SKIL garantează funcționarea perfectă a aparatului numai dacă sunt folosite accesoriile originale
- Verificați întotdeauna dacă tensiunea de alimentare este aceeași cu tensiunea indicată pe plăcuța de identificare a sculei
- Evitați daunele provocate de șuruburi, țiște și alte elemente din timpul lucrului; înlăturați aceste elemente înainte de a trece la acțiune
- În cazul unor defecțiuni electrice sau mecanice deconectați imediat instrumentul și scoateți șnurul din priză
- În cazul în care cordonul este deteriorat sau secționat în timpul lucrului, nu atingeți cordonul, dar deconectați imediat de la priză
- Nu folosiți scula atunci când cordonul sau prezintă defecțiuni; înlocuirea lor se va efectua de o persoană autorizată
- Folosiți cabluri de prelungire derulate complet, protejate/izolate, cu o capacitate de 16 amperi

EXPLICAȚIA SIMBOLURILOR DE PE INSTRUMENT

- ③ Citiți manual de instrucțiuni înainte de utilizare
- ④ Izolație dublă (nu este necesar fir de împământare)
- ⑤ Nu aruncați instrumentul direct la pubelele de gunoi

UTILIZAREA

- Încărcarea capselor/cuiei ⑥
 - ! **deconectați priză**
 - întoarceți instrumentul invers
 - apăsați maneta A în timp ce trageți culisoul B înapoi
 - introduceți capsă/cuiul în rezervor C cu picioarele îndreptate în sus (capacitate maximă 100 de capse/80 cuie)
 - împingeți culisoul B înspre capul capsatorului D până când se închide prin click
 - când introduceți o șipcă cu cuie (nu se furnizează împreună cu instrumentul) înclinați instrumentul în așa fel încât șipca cu cuie să se sprijine de partea rezervorului care corespunde simbolului cu cui de pe capul capsatorului D ⑦
 - reîncărcați rezervorul C atunci când capătul benzii de capse sau cuie apare în deschiderea H ②
- Utilizarea sculei ⑧
 - conectați aparatul, prin împingerea comutatorului E în poziția "I"
 - apăsați ferm capul capsatorului fără fir D pe piesa de lucru până când intră complet în aceasta
 - apăsați scurt întrerupătorul F și apoi dați-i drumul
 - ! **în timp ce lucrați, țineți întotdeauna scula de zonă (zonele) de prindere colorate gri**
 - deconectați aparatul, prin împingerea comutatorului E în poziția "O"
- Controlul impactului ⑨
 - Nivelul impactului poate fi selectat fără trepte cu ajutorul roțiței G de la minim la maxim (- / +)
 - "-" pentru materiale subțiri și ușoare cum ar fi foliile și stofele
 - "+" pentru materiale groase și dure cum ar fi lemnărie dură și pereți
 - înainte de a începe o lucrare, găsiți nivelul optim de impact prin testare pe material de rezervă

SFATURI PENTRU UTILIZARE

- Panouri de fixare ⑩
- Fixarea materialelor textile ⑪
- Pentru capsarea lemnului dur, utilizați capse mai scurte decât cele furnizate cu instrumentul
- Evitați capsările în gol pentru a reduce uzura loviturii de impact
- A se vedea alte recomandări la www.skil.com

ÎNȚREȚINERE / SERVICE

- Această sculă nu este destinată utilizării profesionale
- Păstrați aparatul și cablul curat (mai ales fantele de ventilație J ②)
 - ! **deconectați de la priză înainte de a curăța**
- Dacă în ciuda procedeeilor de fabricație și control riguroase scula are totuși o pană, repararea acesteia se va face numai la un atelier de asistență service autorizat pentru scule electrice SKIL
 - trimiteți scula **în totalitatea lui** cu bonul de cumpărare la distribuitorul sau la centrul de service SKIL cel mai apropiat (adrese și diagrame de service se găseasc la www.skil.com)

MEDIUL

- **Nu aruncați sculele electrice, accesoriile sau ambalajele direct la pubelele de gunoi** (numai pentru țările din Comunitatea Europeană)
 - Directiva Europeană 2012/19/EC face referire la modul de aruncare a echipamentelor electrice și electronice și modul de aplicare a normelor în conformitate cu legislația națională; sculele electrice în momentul în care au atins un grad avansat de uzură și trebuie aruncate, ele trebuie colectate separat și reciclate într-un mod ce respectă normele de protecție a mediului înconjurător
 - simbolul ⑤ vă va reaminti acest lucru

ZGOMOT / VIBRAȚII

- Măsurat în conformitate cu EN 60745 nivelul de presiune a sunetului generat de acest instrument este de 84 dB(A) iar nivelul de putere a sunetului 95 dB(A) (abaterea standard: 3 dB), iar nivelul vibrațiilor 7,0 m/s² (suma vectorială a trei direcții; incertitudine K = 1,5 m/s²)
- Nivelul emisiilor de vibrații a fost măsurat în conformitate cu un test standardizat precizat în EN 60745; poate fi folosit pentru a compara o sculă cu alta și ca evaluare preliminară a expunerii la vibrații atunci când folosiți scula pentru aplicațiile menționate
 - utilizarea sculei pentru aplicații diferite sau cu accesorii diferite și prost întreținute poate **crește** semnificativ nivelul de expunere
 - momentele în care scula este oprită sau când funcționează dar nu execută nicio lucrare, pot **reduce** semnificativ nivelul de expunere
- ! **protejați-vă împotriva efectelor vibrațiilor prin întreținerea sculei și a accesoriilor sale, păstrând mâinile calde și organizând procesele de lucru**

УВОД

- Този инструмент е проектиран за скопчаване и заковаване на картон, изолационен материал, текстил, фолио, кожа и други подобни материали върху дървена повърхност или материали, подобни на дърво
- Инструментът не е подходящ за прикрепяне на панели към стена или таван
- Този инструмент не е предназначен за професионална употреба
- Прочетете и пазете това ръководство за работа ③

ТЕХНИЧЕСКИ ДАННИ ①

ЕЛЕМЕНТИ НА ИНСТРУМЕНТА ②

- A Лост за зареждане на магазина
- B Плъзгач
- C Магазин
- D Глава на телбода
- E Прекъсвач за включване/изключване
- F Спусъкъв включвател
- G Селекционно колело за контрол на удара
- H Индикатор за презареждане
- J Вентилационните отвори

БЕЗОПАСНОСТ

ОБЩИ УКАЗАНИЯ ЗА БЕЗОПАСНА РАБОТА С ЕЛЕКТРОИНСТРУМЕНТИ

⚠ ВНИМАНИЕ Прочетете всички предупреждения, указания, запознайте се с фигурите и техническите характеристики, приложени към електроинструмента. Пропуски при спазването на указанията по-долу могат да предизвикат токов удар и/или тежки травми.

Запазете всички предупреждения и указания за ползване в бъдеще.

Използваният по-долу термин “електроинструмент” се отнася до захранвани от електрическата мрежа електроинструменти (със захранващ кабел) и до захранвани от акумулаторна батерия електроинструменти (без захранващ кабел).

1) БЕЗОПАСНОСТ НА РАБОТНОТО МЯСТО

- a) **Поддържайте работното си място чисто и подредено.** Безпорядъкът или недостатъчното осветление могат да спомогнат за възникването на трудова злополука.
- b) **Не работете с електроинструмента в среда с повишена опасност от възникване на експлозия, в близост до леснозапалими течности, газове или прахообразни материали.** По време на работа в електроинструментите се отделят искри, които

могат да възпламенят прахообразни материали или пари.

- c) **Дръжте деца и странични лица на безопасно разстояние, докато работите с електроинструмента.** Ако вниманието Ви бъде отклонено, може да загубите контрола над електроинструмента.
- 2) БЕЗОПАСНОСТ ПРИ РАБОТА С ЕЛЕКТРИЧЕСКИ ТОК**
- a) **Щепселът на електроинструмента трябва да е подходящ за ползвания контакт. В никакъв случай не се допуска изменение на конструкцията на щепсела. Когато работите със занулен електроруди, не използвайте адаптери за щепсела.** Ползването на оригинални щепсели и контакти намалява риска от възникване на токов удар.
 - b) **Избягвайте допира на тялото Ви до заземени тела, напр. тръби, отоплителни уреди, печи и хладилници.** Когато тялото Ви е заземено, рискът от възникване на токов удар е по-голям.
 - c) **Предпазвайте електроинструмента си от дъжд и влага.** Проникването на вода в електроинструмента повишава опасността от токов удар.
 - d) **Не използвайте захранващия кабел за цели, за които той не е предвиден, напр. за да носите електроинструмента за кабела или да извадите щепсела от контакта. Предпазвайте кабела от нагриване, омасляване, допир до остри ръбове или до подвижни звена на машини.** Повредени или усукани кабели увеличават риска от възникване на токов удар.
 - e) **Когато работите с електроинструмент навън, използвайте само удължителни кабели, предназначени за работа на открито.** Използването на удължител, предназначен за работа на открито, намалява риска от възникване на токов удар.
 - f) **Ако се налага използването на електроинструмента във влажна среда, използвайте предпазен прекъсвач за утечни токове.** Използването на предпазен прекъсвач за утечни токове намалява опасността от възникване на токов удар.
- 3) БЕЗОПАСЕН НАЧИН НА РАБОТА**
- a) **Бъдете концентрирани, следете внимателно действията си и постъпвайте предпазливо и разумно. Не използвайте електроинструмента, когато сте уморени или под влиянието на наркотични вещества, алкохол или упойващи лекарства.** Един миг разсеяност при работа с електроинструмент може да има за последствие изключително тежки наранявания.
 - b) **Работете с предпазващо работно облекло и винаги с предпазни очила.** Носенето на подходящи за ползвания електроинструмент и извършваната дейност лични предпазни средства, като дихателна маска, здрави плътнотатворени обувки със стабилен грайфер, защитна каска или шумозаглушители (антифони), намалява риска от възникване на трудова злополука.

- c) Избягвайте опасността от включване на електроинструмента по невнимание. Преди да включите щепсела в захранващата мрежа или да поставите акумулаторната батерия, се уверявайте, че пусковият прекъсвач е в положение изключено. Ако, когато носите електроинструмента, държите пръста си върху пусковия прекъсвач, или ако подавате захранващо напрежение на електроинструмента, когато е включен, съществува опасност от възникване на трудова злополука.
- d) Преди да включите електроинструмента, се уверявайте, че сте отстранили от него всички помощни инструменти и гаечни ключове. Помощен инструмент, забравен на въртящо се звено, може да причини травми.
- e) Не надценявайте възможностите си. Работете в стабилно положение на тялото и във всеки момент поддържайте равновесие. Така ще можете да контролирате електроинструмента по-добре и по-безопасно, ако възникне неочаквана ситуация.
- f) Работете с подходящо облекло. Не работете с широки дрехи или украшения. Дръжте косата и дрехите си на безопасно разстояние от движещи се зена. Широки дрехи, украшенията, дългите коси могат да бъдат захванати и увлечени от въртящи се зена.
- g) Ако е възможно използването на външна аспирационна система, се уверявайте, че тя е включена и функционира изправно. Използването на аспирационна система намалява рисковете, дължащи се на отделящата се при работа прах.
- h) Доброто познание на електроинструмента вследствие на честа работа с него не е повод за намаляване на вниманието и пренебрегване на мерките за безопасност. Едно невнимателно действие може да предизвика тежки наранявания само за части от секундата.
- #### 4) ВНИМАТЕЛНО ОТНОШЕНИЕ КЪМ ЕЛЕКТРОИНСТРУМЕНТИ
- a) Не претоварвайте електроинструмента. Използвайте електроинструментите само съобразно тяхното предназначение. Ще работите по-добре и по-безопасно, когато използвате подходящия електроинструмент в зададения от производителя диапазон на натоварване.
- b) Не използвайте електроинструмент, чиито пусков прекъсвач е повреден. Електроинструмент, който не може да бъде изключван и включван по предвидения от производителя начин, е опасен и трябва да бъде ремонтиран.
- c) Преди да извършвате навкито и да е дейности по електроинструмента, напр. настройване, смяна на работен инструмент, канто и когато го прибирате, изключвайте щепсела от контакта, респ. изваждайте батерията, ако е възможно. Тази мярка премахва опасността от задействане на електроинструмента по невнимание.
- d) Съхранявайте електроинструментите на места, където не могат да бъдат достигнати от деца. Не

допускате те да бъдат използвани от лица, които не са запознати с начина на работа с тях и не са прочели тези инструкции. Когато са в ръцете на неопитни потребители, електроинструментите могат да бъдат изключително опасни.

- e) Поддържайте добре електроинструментите си и аксесоарите им. Проверявайте дали подвижните звена функционират безукорно, дали не заклинват, дали има счупени или повредени детайли, които нарушават или изменят функциите на електроинструмента. Преди да използвате електроинструмента, се погрижете повредените детайли да бъдат ремонтирани. Много от трудовете злополуки се дължат на недобре поддържани електроинструменти и уреди.
- f) Поддържайте режещите инструменти винаги добре заточени и чисти. Добре поддържаните режещи инструменти с остри ръбове оказват по-малко съпротивление и се водят по-леко.
- g) Използвайте електроинструментите, допълнителните приспособления, работните инструменти и т.н., съобразно инструкциите на производителя. С дейности и процедури, евентуално предписани от различни нормативни документи. Използването на електроинструменти за различни от предвидените от производителя приложения повишава опасността от възникване на трудови злополуки.
- h) Поддържайте дръжките и ръкохватките сухи, чисти и неомаслени. Хлъзгавите дръжки и ръкохватки не позволяват безопасната работа и доброто контролиране на електроинструмента при възникване на неочаквана ситуация.
- #### 5) ПОДДЪРЖАНЕ
- a) Допускате ремонтът на електроинструментите Ви да се извършва само от квалифицирани специалисти и само с използването на оригинални резервни части. По този начин се гарантира съхраняване на безопасността на електроинструмента.

ИНСТРУКЦИИ ЗА БЕЗОПАСНОСТ С ИНСТРУМЕНТИ ЗА ЗАБИВАНЕ

- Винаги предполагайте, че в инструмента има заредени скоби (невнимателното бравене с инструмента за забиване може да доведе до неволно изстрелване на скоби, които да Ви наранят)
- Никога не насочвайте инструмента към себе си или към намиращи се наблизо лица (при неволно задействане на спусъка се изстрелва скоба, която може да предизвика травми)
- Не задействайте спусъка, преди да сте поставили инструмента върху обработвания детайл (ако инструментът не контактува с детайла, скобата може да отскочи от повърхността)
- Ако в инструмента се заклини скоба, го изключвайте от захранващата мрежа, респ. изваждайте акумулаторната батерия (когато инструментът има захранващо напрежение, при отстраняване на заклинената скоба може по невнимание да бъде задействан)

- При изваждане на заклиненна скоба бъдете внимателни (възможно е скобата да е под напрежение и да бъде изстреляна с голяма сила, докато се опитвате да я освободите)
- Не използвайте този инструмент за забиване за закрепване на електрически проводници (той не е подходящ за инсталиране на електрически проводници, може да повреди изолацията на кабелите и да причини токов удар и/или пожар)
- Обезопасете работния материал (материал, затегнат в затягащ инструмент или в менгеме е по-устойчив, отколкото ако се държи в ръка)
- Този инструмент не е предназначен за ползване от деца и лица с намалена физически, сетивни или умствени способности, или такива, които нямат нужните опит и знания
- Не позволявайте деца да играят с инструмента
- SKIL може да осигури безаварийна работа на електроинструмента само ако се използват оригинални допълнителни приспособления
- Преди включване на инструмента в контакта се уверете, че мрежовото напрежение отговаря на напрежението, обозначено на фирмената табелка на инструмента
- Избягвайте повреди, които могат да бъдат причинени от винтове, гвоздеи и други метални елементи в обработвания детайл; отстранете ги преди да започнете работа
- В случай на електрическа или механична неизправност, изключете незабавно апарата и прекъснете контакта с електрическата мрежа
- Ако кабелът се повреди ил среже по време на работа, не го докосвайте, веднага изключете щепсела, никога не използвайте инструмента с повреден кабел
- Не използвайте инструмента, когато е повреден шнурът; замената му следва да се извърши от квалифицирано лице
- Използвайте напълно развити и безопасени разклонители с капацитет 16 A

ОБЯСНЕНИЕ НА СИМВОЛИТЕ ПО ИНСТРУМЕНТА

- ③ Преди употреба прочетете ръководството с указания
- ④ Двойна изолация (не се изисква кабел за заземяване)
- ⑤ Не извърляйте инструмента заедно с битови отпадъци

УПОТРЕБА

- Зареждане на телчетата/гвоздеите ⑥
! **изключете щепсела**
- обърнете инструмента надолу
- натиснете лоста А докато бутат плъзгача В назад
- сложете телчето/гвоздеа в магазина С с крачета нагоре (максимален капацитет 100 телчета/80 гвоздеи)
- натиснете плъзгач В срещу главата на телбодата D докато шракне
- когато слагате лента с гвоздеи (не се доставя с инструмента), наклонете инструмента така, че лентата с гвоздеи да легне срещу страната на магазина, която съответства на символа гвоздей върху главата на телбодата D ⑦
- презаредете магазина С, когато в отвора се покаже краят на лентата с телчета или гвоздеи H ②

- Работа с инструмента ⑧
 - инструмента включете чрез превключване на ключа Е в позиции "I"
 - здраво натиснете главата на такера D срещу работния материал, докато навлезе докрай
 - кратко натиснете ключа F и след това отново освободете
- ! **по време на работа, винаги дръжте уреда за оцветената(ите) в сиво зона(и) за хващане**
- инструмента изключете чрез превключване на ключа Е в позиции "O"
- Контрол на удара ⑨
С колелото G изискваното ниво на удар може да се регулира плавно от минимум до максимум (- / +)
 - "–" за тънки и леки материали, като фолио или тъкан
 - "+" за дебели и груби материали, като твърдо дърво и стени
 - преди да започнете работа, намерете оптималното ниво на удар, като пробвате върху излишен материал

УКАЗАНИЯ ЗА РАБОТА

- Затягане на панели ⑩
- Закрепване на текстил ⑪
- За снопчаване на твърда дървесина използвайте по-тъси телчета от тези, които се доставят с инструмента
- Избягвайте празните изстрели, за да намалите износването на удара
- За повече полезни указания вж. www.skil.com


ПОДДРЪЖКА / СЕРВИЗ

- Този инструмент не е предназначен за професионална употреба
- Поддръжката винаги електроинструмента и охранявания кабел чисти (особено вентилационните отвори J ②)
! **преди почистване изключете щепсела**
- Ако въпреки прецизното производство и внимателно изпитване възникне повреда, инструмента да се занесе за ремонт в оторизиран сервиз за електроинструменти на SKIL
 - занесете инструмента в неразглобен вид заедно с доказателство за покупката му в търговския обект, откъдето сте го закупили, или в най-близкия сервиз на SKIL (адресите, както и схемата за сервизно обслужване на електроинструмента, можете да намерите на адрес www.skil.com)

ОПАЗВАНЕ НА ОКОЛНАТА СРЕДА

- Не извърляйте електроуредите, приспособленията и опановните заедно с битови отпадъци (само за страни от ЕС)
 - съобразно Директивата на ЕС 2012/19/EG относно износени електрически и електронни уреди и отразяването ѝ в националното законодателство износените електроуреди следва да се събират

отделно и да се предават за рециклиране според изискванията за опазване на околната среда

- за това указва символът  тогава когато трябва да бъдат унищожени

ШУМ / ВИБРАЦИИ


- Измерено в съответствие с EN 60745 нивото на звуково налягане на този инструмент е 84 dB(A) а нивото на звукова мощност е 95 dB(A) (стандартно отклонение: 3 dB), а вибрациите са 7,0 м/с² (векторната сума по трите направления; неопределеност K = 1,5 м/с²)
 - Нивото на предадените вибрации е измерено в съответствие със стандартизирания тест, определен в EN 60745; то може да се използва за сравнение на един инструмент с друг и като предварителна оценка на подлагането на вибрации при използването на инструмента за посочените приложения
 - използването на инструмента за различни от тези приложения или с други, или лошо поддържани аксесоари може значително **да повиши** нивото на което сте подложени
 - периодите от време, когато инструмента е изключен или съответно включен, но с него не се работи в момента могат значително **да намалят** нивото на което сте подложени
- ! предпазвайте се от ефектите от вибрациите, като поддържате инструмента и аксесоарите му, пазите ръцете си топли и организирате вашите модели на работа**

SK

Sponkovač

8200

ÚVOD

- Toto náradie je určené pre spínanie a priklincovanie kartónov, izolačných materiálov, textílií, fólií, kože a podobných materiálov na drevený povrch alebo materiály podobné drevu
- Nástroj nie je vhodný na pripevňovanie na stenu a stropné panely
- Tento nástroj nie je vhodný pre profesionálne použitie
- Prečítajte a uschovajte tento návod na použitie 


TECHNICKÉ ÚDAJE

ČASTI NÁSTROJA

- A Páčka pre nabíjací zásobník
- B Behúň
- C Zásobník
- D Hlava sponkovačka
- E Spínač zapnutie/vypnutie
- F Prepínač
- G Voliace koleso pre ovládanie úderov
- H Indikátor doplnenia zásobníka
- J Vetracie štrbiny

BEZPEČNOSŤ

VŠEOBECNÉ BEZPEČNOSTNÉ UPOZORNENIA TÝKAJÚCE SA ELEKTRICKÉHO NÁRADIA

 **POZOR** Prečítajte si všetky bezpečnostné upozornenia, pokyny, ilustrácie a špecifikácie dodané s týmto elektrickým náradím. Zanedbanie dodržiavania všetkých uvedených pokynov texte môže mať za následok zásah elektrickým prúdom, spôsobiť požiar a/alebo ťažké poranenie.

Všetky upozornenia a pokyny si odložte na ďalšie použitie.

Pojem ručné "elektrické náradie" používaný v nasledujúcom texte sa vzťahuje na ručné elektrické náradie napájané zo siete (s prírodnou šnúrou) a na ručné elektrické náradie napájané akumulátorovou batériou (bez prírodnej šnúry).

1) BEZPEČNOSŤ NA PRACOVISKU

- Udržiavajte svoje pracovisko čisté a upratané.**
Neporiadok na pracovisku alebo neosvetlené časti pracoviska môžu viesť k úrazom.
- Nepracujte elektrickým náradím v prostredí ohrozenom výbuchom, v ktorom sa nachádzajú horľavé kvapaliny, plyny alebo prach.** Elektrické náradie produkuje iskry, ktoré môžu prach alebo pary zapáliť.
- Deti a iné osoby udržiavajte počas práce od ručného elektrického náradia v dostatočnej vzdialenosti.** V prípade odpútania Vašej pozornosti by ste mohli stratiť kontrolu nad náradím.

2) ELEKTRICKÁ BEZPEČNOSŤ

- Zástrčka prírodnej šnúry sa musí hodiť do napájacej zásuvky. Zástrčka sa v žiadnom prípade nesmie meniť. Pri uzemnených spotrebičoch nepoužívajte spolu s nimi žiadne adaptéry.** Nezmenená zástrčka a vhodná zásuvka znižujú riziko zásahu elektrickým prúdom.
- Vyhýbajte sa telesnému kontaktu s povrchovými plochami uzemnených spotrebičov, ako sú elektrické rúry, vyhrievacie telesá, sporáky a chladničky.** Keď je Vaše telo uzemnené, riziko zásahu elektrickým prúdom je vyššie.
- Chráňte ručné elektrické náradie pred dažďom a vlhkom.** Vniknutie vody do ručného elektrického náradia zvyšuje riziko zásahu elektrickým prúdom.
- Nepoužívajte prírodnú šnúru na prenášanie náradia, na jeho vešanie, ani za ňu nevyťahujte zástrčku zo zásuvky. Prírodnú šnúru chráňte pred horúčavou, olejom, ostrými hranami alebo pohybujúcimi sa časťami náradia.** Poškodené alebo zauzlené šnúry zvyšujú riziko zásahu elektrickým prúdom.
- Ak pracujete s ručným elektrickým náradím vonku, používajte len také predlžovacie šnúry, ktoré sú schválené pre použitie vo vonkajších priestoroch.** Používanie predlžovacej šnúry určenej do vonkajšieho prostredia znižuje riziko zásahu elektrickým prúdom.
- Ak sa nedá vyhnúť použitiu ručného elektrického náradia vo vlhkom prostredí, použite prerusovač**

uzemňovacieho obvodu. Používanie prerušovača uzemňovacieho obvodu znižuje riziko zásahu elektrickým prúdom.

3) BEZPEČNOSŤ OSÔB

- a) **Buďte pozorní, dávajte pozor na to, čo robíte a k práci s elektrickým náradím pristupujte rozumne. Nepoužívajte elektrické náradie, keď ste unavení alebo keď ste pod vplyvom drog, alkoholu alebo liekov.** Chvíľa nepozornosti pri používaní náradia môže viesť k vážnym poraneniam.
 - b) **Noste osobné ochranné pomôcky, ochranný odev a vždy majte nasadené ochranné okuliare.** Nosenie pracovného odevu a používanie ochranných pomôcok ako ochrannej dýchacej masky, bezpečnostných protišmykových topánok, prilby alebo chrániča sluchu, podľa druhu elektrického náradia, znižuje riziko poranenia.
 - c) **Vyhýbajte sa neúmyselnému uvedeniu ručného elektrického náradia do činnosti. Pred zasunutím zástrčky do zásuvky a/alebo pred pripojením akumulátora, pred chytením alebo prenášaním ručného elektrického náradia sa vždy presvedčte sa, či je ručné elektrické náradie vypnuté.** Ak budete mať pri prenášaní ručného elektrického náradia prst na vypínači, alebo ak ručné elektrické náradie pripojíte na elektrickú sieť zapnutú, môže to mať za následok nehodu.
 - d) **Skôr ako ručné elektrické náradie zapnete, odstráňte nastavovacie a montážne nástroje.** Nástroj alebo kľúč, ktorý sa nachádza v pohyblivej časti náradia, môže spôsobiť poranenie.
 - e) **Neprečeňte sa. Zabezpečte si pevný postoj a neprestajte udržiavať rovnováhu.** Takto budete mať ručné elektrické náradie v neočakávaných situáciách lepšie kontrolovať.
 - f) **Pri práci noste vhodný pracovný odev. Nenoste široké odevy a nemajte na sebe šperky. Vyvarujte sa toho, aby sa vaše vlasy a odev dostali do blízkosti pohyblivých častí.** Voľný odev, dlhé vlasy alebo šperky môžu byť zachytené rotujúcimi časťami ručného elektrického náradia.
 - g) **Ak možno namontovať zariadenie na odsávanie alebo zachytávanie prachu, presvedčte sa, či je pripojené a správne používané.** Používanie odsávacieho zariadenia a zariadenia na zachytávanie prachu znižuje riziko ohrozenia zdravia prachom.
 - h) **Nepodliehajte falošnému pocitu istoty získanej z častého používania náradia a nekonajte v rozpore s princípmi bezpečného používania náradia.** Nepozorná práca môže v priebehu zlomkov sekundy viesť k ťažkému poraneniu.
- ### 4) STAROSTLIVÉ ZAOBCHÁDZANIE S ELEKTRICKÝM NÁRADÍM A JEHO POUŽÍVANIE
- a) **Náradie nepreťažujte.** Pre svoju prácu používajte určené elektrické náradie. Pomocou vhodného ručného elektrického náradia budete môcť v uvedenom rozsahu výkonu pracovať lepšie a bezpečnejšie.
 - b) **Nepoužívajte žiadne ručné elektrické náradie, ktoré má pokazený vypínač.** Ručné elektrické náradie, ktoré sa už nedá zapínať alebo vypínať, je nebezpečné a treba ho dať opraviť.
 - c) **Skôr ako začnete náradie nastavovať alebo prestavovať, vymieňať príslušenstvo alebo ako**

odložte náradie, vždy vyťahnite koncovku sieťovej šnúry zo zásuvky a/alebo vyberte akumulátor, ak sa dá vybrať. Toto preventívne opatrenie zabraňuje neúmyselnému spusteniu ručného elektrického náradia.

- d) **Nepoužívajte ručné elektrické náradie uschovávajúce mimo dosahu detí. Nedopusťte, aby ručné elektrické náradie používali osoby, ktoré s ním nie sú dôkladne oboznámené, alebo ktoré si neprečítali tento Návod na používanie.** Ak ručné elektrické náradie používajú neskusené osoby, stáva sa nebezpečným nástrojom.
 - e) **Ručné elektrické náradie a príslušenstvo starostlivo ošetríte. Skontrolujte, či pohyblivé súčiastky náradia bezchybne fungujú a neblokujú a či nie sú zlomené alebo poškodené niek toré súčiastky, ktoré by mohli negatívne ovplyvniť fungovanie ručného elektrického náradia. Pred použitím ručného elektrického náradia dajte poškodené súčiastky opraviť.** Nejedyn úraz bol spôsobený zle udržiavaným náradím.
 - f) **Používané nástroje udržiavajte ostré a čisté.** Starostlivo ošetrované nástroje s ostrými reznými hranami sa menej často zablokujú a ich vedenie je podstatne ľahšie.
 - g) **Používajte ručné elektrické náradie, príslušenstvo, pracovné nástroje a pod. podľa týchto pokynov. Zohľadnite pritom konkrétne pracovné podmienky a činnosť, ktorú máte vykonať.** Používanie ručného elektrického náradia na iné ako určené účely môže viesť k nebezpečným situáciám.
 - h) **Rukováti a úchopové povrchy udržiavajte suché, čisté a bez oleja alebo mazacieho tuku.** Šmyklavé rukováti a úchopové povrchy neumožňujú bezpečnú manipuláciu a ovládanie náradia v neočakávaných situáciách.
- ### 5) SERVIS
- a) **Ručné elektrické náradie zverte do opravy len kvalifikovanému personálu a používajte len originálne náhradné súčiastky.** Tým sa zabezpečí zachovanie bezpečnosti ručného elektrického náradia.

BEZPEČNOSTNÉ POKYNY PRE SPONKOVAČKA

- **Pamätajte stále na to, že v tomto ručnom náradí sa nachádzajú sponky** (ľahostajná manipulácia so zatĺkacím náradím môže mať za následok nečakané vystrelenie sponiek a spôsobí Vám poranenie)
- **Nemierte náradím na seba ani na žiadne iné osoby, ktoré sa nachádzajú v blízkosti** (nečakané spustenie náradia spôsobí vystrelenie sponky, čo môže mať za následok poranenie)
- **Neuvádzajte toto ručné náradie do činnosti skôr, ako je priložené k obrobku** (keď nemá toto ručné náradie kontakt s obrobkom, môže sa sponka z miesta, na ktorom má byť upevnená, odraziť)
- **V takom prípade, keď sa sponka v ručnom náradí vzpríeči, odpojte náradie od elektrickej siete alebo od akumulátora** (keby bolo zatĺkacie náradie pripojené na zdroj elektrického napätia, mohlo by sa pri odstraňovaní vzpríečenej sponky uviesť neúmyselne do činnosti)
- **Pri odstraňovaní vzpríečených sponiek postupujte veľmi opatrne** (systém môže byť natiahnutý a môže sponku veľkou silou vymrštiť, keď sa budete pokúšať odstrániť zablokovanie)

- **Nepoužívajte toto zatlákanie náradie na upevňovanie elektrických vedení** (nie je vhodné na inštalovanie elektrických vedení, môže spôsobovať poškodenie izolácie elektrických káblov a následne spôsobiť zásah elektrickým prúdom alebo byť zdrojom nebezpečenstva požiaru)
 - **Zaistite obrábaný diel** (obrábaný diel uchytýny pomocou upínacích zariadení alebo vo zveráku je oveľa bezpečnejší kým v ruke)
 - **Tento nástroj nie je určený na použitie osobami a detí, ktoré majú znížené fyzické, zmyslové alebo mentálne schopnosti, alebo majú nedostatok skúseností a vedomostí**
 - Uistite sa, že sa deti s nástrojom nehrajú
 - SKIL zabezpečí hladký chod nástroja len ak sa používa pôvodné príslušenstvo
 - Vždy skontrolujte či je napájacie napätie rovnaké ako napätie uvedené na štítku nástroja
 - Zabráňte poškodeniu náradia skrutkami, klincami a inými kovovými predmetmi v obrobku; zoberte ich dole prv než začnete pracovať
 - V prípade elektrickej alebo mechanickej poruchy zastavte okamžite nástroj a vyťahnite zástrčku z nástennej zásuvky
 - Ak je sieťová šnúra poškodená alebo ak sa prereže počas prevádzky, nedotýkajte sa jej ale ju ihneď odpojte z hlavnej elektrickej siete
 - Nikdy nepoužívajte nástroj ak je šnúra poškodená; šnúru musí vymeniť kvalifikovaná osoba
 - Používajte úplne odmotanú a bezpečnú predlžovaciu šnúru s kapacitou 16 A
- VYSVETLENIE SYMBOLOV NA NÁSTROJI**
- ③ Pred použitím si prečítajte návod na obsluhu
 - ④ Dvojitá izolácia (nevyžaduje sa uzemňovací kábel)
 - ⑤ Nástroj nevyhadzujte do komunálneho odpadu

POUŽITIE

- Nabíjanie skôb/klincov ⑥
 - ! **odpojte zástrčku**
 - otočte nástroj naopak
 - stisnite páku A kým tlačíte behún B smerom dozadu
 - vložte skobový/klincový pás do zásobníka C s nožkami obrátenými hore (maximálna kapacita 100 skôb/80 klincov)
 - zatlačte behún B proti hlave sponkovačka D akolia nezapadne poistka
 - pri vkladaní klincového pásu (nie je súčasťou dodávky s prístrojom) nahnite prístroj tak, aby klincový pás ležal na strane zásobníka, ktorý odpovedá symbolu klinca na hlave sponkovačka D ⑦
 - doplňte zásobník C, keď sa koniec skobového alebo klincového pásu ukáže v otvore H ②
- Prevádzka nástroja ⑧
 - nástroje zapnite posunutím prepínača E do polohy "I"
 - pevne stisnite hlavu sponkovačka D proti obrábanému dielu, dokiaľ sa úplne nezarusie
 - krátko stisnite vypínač F a potom ho znova uvoľnite
 - ! **počas práce vždy držte nástroj v oblasti sivého držadla(iel)**
 - nástroje vypnete posunutím prepínača E do polohy "O"

- Ovládanie úderov ⑨
 - Kolesom G sa môže plynule nastaviť od minima po maximum (- / +)
 - "–" pre slabé a ľahké materiály ako sú fólie a textilie
 - "+ " pre silné a pevné materiály ako je tvrdé drevo a steny
 - pred začiatkom práce nájdite optimálnu úroveň úderov tak, že je vyskúšate na odpadovom materiále

RADU NA POUŽITIE

- Prichytenie panelov ⑩
- Prichytenie textílií ⑪
- Na spínanie tvrdého dreva použite kratšie skoby, ako sú skoby dodané s nástrojom
- Zabráňte zbytočným úderom, aby ste obmedzili opotrebenie rázového namáhania
- Viac rád nájdete na www.skil.com

ÚDRŽBA / SERVIS

- Tento nástroj nie je vhodný pre profesionálne použitie
- Nástroj a sieťovú šnúru udržiajte stále čisté (zvlášť vetracie štrbiny J ②)
- ! **pred čistením odpojte z elektrickej siete**
- Ak by nástroj napriek starostlivej výrobe a kontrole predsa len prestal niekedy fungovať, treba dať opravu vykonať autorizovanej servisnej opravovni elektrického náradia SKIL
 - pošlite nástroj **bez rozmontovania** spolu s dôkazom o kúpe; vášmu dilerovi alebo do najbližšieho servisného strediska SKIL (zoznam adries servisných stredisiek a servisný diagram nástroja sú uvedené na www.skil.com)

ŽIVOTNÉ PROSTREDIE

- **Elektrické náradie, príslušenstvo a balenia nevyhadzujte do komunálneho odpadu** (len pre štáty EÚ)
 - podľa európskej smernice 2012/19/EG o nakladaní s použitými elektrickými a elektronickými zariadeniami v zodpovedajúcich ustanovení právnych predpisov jednotlivých krajín sa použité elektrické náradie musí zbierať oddelene od ostatného odpadu a podrobiť ekologicky šetrnej recyklácii
 - pripomenie vám to symbol ⑤, keď ju bude treba likvidovať

HLUKU / VIBRÁCIÁCH

- Merané podľa EN 60745 je úroveň akustického tlaku tohto nástroja 84 dB(A) a úroveň akustického výkonu je 95 dB(A) (štandardná odchýlka: 3 dB), a vibrácie sú 7,0 m/s² (súčet vektorov troch smerov; nepresnosť K = 1,5 m/s²)
- Hladina emisií od vibrácií bola nameraná v súlade s normalizovaným testom uvedeným v norme EN 60745; môže sa používať na vzájomné porovnanie náradí a na predbežné posúdenie vystavenia účinkom vibrácií pri používaní náradia pre uvedené aplikácie
 - používanie náradia na rôzne aplikácie, alebo v spojení s rôznymi alebo nedostatočne udržiavanými doplnkami môže značne **zvýšiť** úroveň vystavenia

- časovne dobe počas ktorých je je náradie vypnuté alebo počas ktorých náradie beží ale v skutočnosti nevykonáva prácu môžu značne **znižít** úroveň vystavenia
- ! **chráňte sa pred účinkami vibrácií tak, že budete náradie a jeho príslušenstvo správne udržiavať, tak že nebudete pracovať so studenými rukami a tak že si svoje pracovné postupy správne zorganizujete**

HR

Pribijáč

8200

UVOD

- Ovaj je alat namijenjen za klamanje i pribijanje čavličima kartona, materijala za izolaciju, tkanina, folija, kože i sličnih materijala na površinu od drva ili materijala sličnog drvu
- Alat nije prikladan za pričvršćivanje zidnih i stropnih obloga
- Ovaj uređaj nije namijenjen profesionalnoj upotrebi
- Pažljivo pročitajte i sačuvajte ove upute za rukovanje ③

TEHNIČKI PODACI ①

DIJELOVI ALATA ②

- A Ručica spremnika za punjenje
- B Klizni dio
- C Spremnik
- D Glava pribijača
- E Prekidač uključeno/isključeno
- F Prekidač
- G Birač regulacije snage udarca
- H Pokazivač nadopunjavanja
- J Otvori za strujanje zraka

SIGURNOST

OPĆA SIGURNOSNA UPOZORENJA ZA ELEKTRIČNE ALATE

⚠ UPOZORENJE Pročitajte sva sigurnosna upozorenja, upute, ilustracije i specifikacije koje se isporučuju s ovim električnim alatom. Nepoštivanje dolje navedenih uputa može uzrokovati električni udar, požar i/ili ozbiljne ozljede.

Sva upozorenja i upute sačuvajte kao referencu za buduće upotrebe.

U daljnjem tekstu korišten pojam "električni alat" odnosi se na električne alate s priključkom na električnu mrežu (s mrežnim kablom) i na električne alate s napajanjem iz aku baterije (bez mrežnog kabla).

1) SIGURNOST NA RADNOM MJESTU

- a) **Vaše radno područje održavajte čisto i uredno.**
Nered ili neosvijetljeno radno područje mogu doći do nezgoda.

- b) **S uređajem ne radite u okolini ugroženoj eksplozijom, u kojoj se nalaze zapaljive tekućine, plinovi ili prašina.** Električni alati proizvode iskre koje mogu zapaliti prašinu ili pare.
- c) **Djecu i ostale osobe držite dalje tijekom korištenja električnog alata.** Ako bi skrenuli pozornost sa posla mogli bi izgubiti kontrolu nad uređajem.

2) ELEKTRIČNA SIGURNOST

- a) **Priključni utikač uređaja treba odgovarati utičnici.** Na utikaču se ni u kojem slučaju ne smiju izvoditi izmjene. **Ne koristite adapterske utikače zajedno sa uređajima koji su zaštićeni uzemljenjem.** Originalni utikač i odgovarajuće utičnice smanjuju opasnost od električnog udara.
- b) **Izbjegavajte dodir tijela s uzemljenim površinama kao što su cijevi, centralno grijanje, štednjaci i hladnjaci.** Postoji povećana opasnost od električnog udara ako je vaše tijelo uzemljeno.
- c) **Držite uređaj dalje od kiše ili vlage.** Prodiranje vode u električni uređaj povećava opasnost od električnog udara.
- d) **Priključni kabel ne koristite za nošenje, vješanje ili za izvlačenje utikača iz utičnice.** Držite kabel dalje od izvora topline, ulja, oštrih rubova ili pomičnih dijelova uređaja. Oštećen ili usukan kabel povećava opasnost od električnog udara.
- e) **Ako s električnim uređajem radite na otvorenom, koristite samo produžni kabel odobren za uporabu na otvorenom.** Primjena produžnog kabla prikladnog za uporabu na otvorenom smanjuje opasnost od električnog udara.
- f) **Ako se ne može izbjeći uporaba električnog alata u vlažnoj okolini, upotrijebite sigurnosna sklopka za propuštanje u zemlju.** Upotrebom sigurnosne sklopke za propuštanje u zemlju smanjuje se opasnost od električnog udara.

3) SIGURNOST LJUDI

- a) **Budite oprezni, pazite što činite i postupajte razumno kod rada s električnim alatom. Ne koristite uređaj ako ste umorni ili pod utjecajem opojnih sredstava, alkohola ili lijekova.** Trenutak nepažnje kod uporabe uređaja može doći do ozbiljnih ozljeda.
- b) **Nosite sredstva osobne zaštite i uvijek zaštitne naočale.** Nošenje sredstava osobne zaštite, kao što je zaštitna maska, sigurnosne cipele koje ne klize, zaštitne kacige ili štitnika za sluh, ovisno od vrste i primjene električnog alata, smanjuju opasnost od nezgoda.
- c) **Izbjegavajte nehotično puštanje u rad. Prije nego što ćete utaknuti utikač u utičnicu i/ili staviti aku-bateriju, provjerite je li električni alat isključen.** Ako kod nošenja električnog alata imate prst na prekidaču ili se uključen uređaj priključi na električno napajanje, to može dovesti do nezgoda.
- d) **Prije nego što uređaj uključite, uklonite alate za podešavanje ili vijčane ključeve.** Alat ili ključ koji se nalazi u rotirajućem dijelu uređaja može doći do nezgoda.
- e) **Ne precjenjujte svoje sposobnosti. Zauzmite siguran i stabilan položaj tijela i držite u svakom trenutku ravnotežu.** Na taj način možete uređaj bolje kontrolirati u neočekivanim situacijama.

- f) **Nosite prikladnu odjeću. Ne nosite široku odjeću ili nakit. Kosu i odjeću držite dalje od pomičnih dijelova.** Široku odjeću, dugu kosu ili nakit mogu zahvatiti pomični dijelovi.
- g) **Ako se mogu montirati naprave za usisavanje i hvatanje prašine, provjerite da li su iste priključene i da li se pravilno koriste.** Primjena naprave za usisavanje može smanjiti ugroženost od prašine.
- h) **Nemojte postati previše bezbrižni i zanemariti sigurnosne upute zato što alat često upotrebljavate i smatrate da ste ga dobro poznali.** Samo jedan trenutak nepažnje dovoljan je za nastanak ozbiljnih ozljeda.
- 4) BRIŽLJIVA UPORABA ELEKTRIČNIH ALATA**
- a) **Ne preopterećujte uređaj. Koristite za vaše radove za to predviđen električni alat.** S odgovarajućim električnim alatom radit ćete bolje i sigurnije, u navedenom području učinka.
- b) **Ne koristite električni alat čiji je prekidač neispravan.** Električni alat koji se više ne može uključiti ili isključiti, opasan je i treba se popraviti.
- c) **Alat prije podešavanja, izmjene pribora i odlaganja isključite iz izvora napajanja i/ili izvadite komplet baterije, ako se vadi iz uređaja.** Ovim mjerama opreza izbjeći će se nehотиčno uključivanje električnog alata.
- d) **Nekorištene električne alate spremite izvan doseg djece. Ne dopustite da uređaj koriste osobe koje s njim nisu upoznate ili koje nisu pročitale upute za uporabu.** Električni alati su opasni ako ih koriste neiskusne osobe.
- e) **Redovno održavajte električne alate i pribor. Kontrolirajte da li pomični dijelovi uređaja besprijekorno rade i da nisu zaglavljani, te da li su dijelovi polomljeni ili tako oštećeni da negativno djeluju na funkciju uređaja. Popravite oštećene dijelove prije uporabe uređaja.** Mnoge nezgode imaju svoj uzrok u loše održanim uređajima.
- f) **Rezne alate održavajte oštrim i čistim.** Pažljivo održavani rezni alati s oštrim oštricama neće se zaglaviti i lakši su za vođenje.
- g) **Koristite električne alate, pribor, radne alate, itd., prema navedenim uputama. Pri tome uzmete u obzir radne uvjete i radove koje se izvode.** Uporaba električnih alata za neke druge primjene različite od predviđenih, može doći do opasnih situacija.
- h) **Ručke i zahvatne površine održavajte suhima, čistima i pazite da na njih ne dospiju ulje ili mast.** Skliske ručke i zahvatne površine onemogućuju sigurno rukovanje i alat se teško kontrolira u neočekivanim situacijama.

5) SERVISIRANJE

- a) **Popravak uređaja prepustite samo kvalificiranom stručnom osoblju i samo s originalnim rezervnim dijelovima.** Na taj će se način postići održanje stalne sigurnosti uređaja.

SIGURNOSNE UPUTE ZA PRIBIJAČE

- **Polazite uvijek od toga da alat sadrži spajalice** (nepažljivo rukovanje sa uređajem za zabijanje može dovesti do neočekivanog izbacivanja spajalica i do ozljeda)

- **Alat ne usmjeravajte prema sebi ili drugim osobama u blizini** (neočekivanim aktiviranjem alata izbacit će se spajalica, što može dovesti do ozljeda)
- **Ne aktivirajte alat prije nego što se čvrsto prisloni na izradak** (ako alat nema kontakt sa izratkom, spajalica bi se mogla odbiti od mjesta pričvršćenja)
- **Ako bi se spajalica zaglavila u alatu, alat odspojite sa mreže ili sa aku-baterije** (ako je uređaj za zabijanje priključen, kod uklanjanja zaglavljene spajalice mogao bi se nehottično aktivirati)
- **Budite oprezni kod uklanjanja zaglavljene spajalice** (sustav može biti prednapregnut i spajalica bi se mogla silovito izbaciti dok pokušavate odstraniti zaglavljenu spajalicu)
- **Ovaj uređaj za zabijanje ne koristite za pričvršćenje električnih vodova** (on nije prikladan za polaganje električnih vodova, jer se može oštetiti izolacija električnih kablova i može doći do strujnog udara i opasnosti od požara)
- **Osigurajte izradak** (izradak je sigurnije pričvršćen pomoću stezaljke ili škripa nego da ga držite rukom)
- **Ovaj alat ne smiju koristiti djeca i osobe sa smanjenim fizičkim, osjetilnim ili mentalnim sposobnostima ili nedostatnog iskustva i znanja**
- Pobrinite se da se djeca ne igraju ovim alatom
- SKIL može osigurati besprijekoran rad uređaja samo ako se koristi originalni pribor
- Uvijek provjerite je li napon napajanja isti kao onaj naveden na tipskoj pločici uređaja
- Izbjegavajte oštećenja od vijaka, čavala i sličnih predmeta na vašem izratku; prije početka rada ih izvadite
- U slučaju neobičajenog ponašanja uređaja ili neobičnih šumova, uređaj treba odmah isključiti i izvući utikač iz mrežne utičnice
- Ako se tijekom rada priključni kabel ošteti ili odreže, ne dirati priključni kabel, nego odmah izvući mrežni utikač
- Nikad ne upotrebljavajte alat kad su kabel oštećeni; neka iz zamijeni kvalificirana osoba
- Upotrebljavajte samo neodmotane i zaštićene produžne kabele kapaciteta 16 ampera

POJAŠNJENJE SIMBOLA NA UREĐAJU

- ③ Prije upotrebe pročitajte korisnički priručnik
- ④ Dvostruka izolacija (dozemna žica nije potrebna)
- ⑤ Uređaj ne bacajte u kućni otpad

POSLUŽIVANJE

- Umetanje spajalica/čavlića ⑥
- ! **izvući mrežni utikač**
- okrenite alat naopako
- dok klizni dio B povlačite unazad, pritisnite polugu A
- niz spajalica/čavlića umetnite u spremnik C s nožicama prema gore (u spremnik stane najviše 100 spajalica/80 čavlića)
- klizni dio gurajte B do glave pribijača D dok ne klikne na mjesto
- kada umećete niz čavlića (nije u kompletu s alatom), alat nagnite tako da niz čavlića naliježe na stranu spremnika koja odgovara simbolu čavlića na glavi pribijača D ⑦
- spremnik za nadopunjavanje C kad su završetak spojnice ili traka za pričvršćenje okrenuti u otvor H ②

- Posluživanje uređaja ⑧
 - uređaj uključiti pritiskom na prekidač E u "I" položaj
 - glavu pribijača čvrsto pritisnite D na izradak, sve dok potpuno ne uđe u njega
 - nakratko pritisnite prekidač F , pa ga opet pustite
- ! **alat kod primjene, držati samo na sivo označenim područjima**
- uređaj isključiti pritiskom na prekidač E u "O" položaj
- Regulacija snage udarca ⑨

S biračem G možete bestupnjevito regulirati potrebnu razinu snage udarca od min. do maks. (- / +)

 - "-" za tanke i lagane materijale kao što su folije i tkanine
 - "+" za debele i jake materijale kao što su tvrdo drvo i zidovi
 - prije započinjanja posla pronađite optimalnu razinu snage udarca isprobavanjem na potrošnom materijalu

SAVJETI ZA PRIMJENU

- Pričvršćivanje ploča ⑩
- Pričvršćivanje tkanina ⑪
- Za spajanje tvrdog drveta koristite kraće spajalice od onih koje su isporučene s alatom
- Izbjegavajte "prazne udarce" kako biste smanjili trošenje uslijed udaraca
- Dodatne savjete možete naći na adresi www.skil.com

ODRŽAVANJE / SERVISIRANJE

- Ovaj uređaj nije namijenjen profesionalnoj upotrebi
- Održavajte čistim uređaj i kabel (osobito otvore za hlađenje J ②)
- ! **prije čišćenja treba izvući mrežni utikač**
- Ako bi uređaj unatoč brižljivih postupaka izrade i ispitivanja ipak prestao raditi, popravak treba prepustiti ovlaštenom servisu za SKIL električne alate
 - uređaj treba **nerastavljeno** predati, zajedno s računom o kupnji u najbližu SKIL ugovornu servisnu radionicu (popise servisa, kao i oznake rezervnih dijelova uređaja možete naći na adresi www.skil.com)

ZAŠTITA OKOLIŠA

- **Električne alate, pribor i ambalažu ne bacajte u kućni otpad** (samo za EU-države)
 - prema Europskoj direktivi 2012/19/EG o staroj električnoj i elektroničkoj opremi i njenoj primjeni u skladu sa nacionalnim zakonom, istrošeni električni alati moraju se sakupljati odvojeno i odvesti u posebne pogone za reciklažu
 - na to podsjeća simbol ⑤ kada se javi potreba za odlaganjem

BUKA / VIBRACIJA

- Mjereno prema EN 60745 prag zvučnog tlaka ovog električnog alata iznosi 84 dB(A) a jakost zvuka 95 dB(A) (standardna devijacija: 3 dB), a vibracija 7,0 m/s² (vektorski zbroj u tri smjera; nesigurnost K = 1,5 m/s²)
- Razina emitiranja vibracija izmjerena je sukladno normiranom testu danom u EN 60745; ona se može koristiti za usporedbu jedne alatke s drugom, te

preliminarnu procjenu izloženosti vibracijama pri uporabi alatke za navedene namjene

- uporaba ove alatke za druge namjene ili s drugim ili slabo održanim nastavcima, može u značajnoj mjeri **uvećati** razinu izloženosti
- vrijeme tokom kojega je alatka isključena, ili je uključena ali se njome ne radi, može značajno **umanjiti** razinu izloženosti

! **zaštite se od posljedica vibracija održavanjem alatke i njezinih nastavaka, održavanjem Vaših ruku toplima, te organiziranjem Vaših obrazaca rada**

SRB

Heftalica

8200

UPUTSTVO

- Ovaj alat se koristi za heftanje i zakucavanje kartona, izolacionog materijala, tkanina, folija, kože i sličnih materijala na površinama od drveta ili materijala sličnih drvetu
- Alat nije pogodan za pričvršćivanje panela za zidove ili tavanice
- Ovaj alat nije namenjen za profesionalnu upotrebu
- Pažljivo pročitajte i sačuvajte ova uputstva za rukovanje ③

TEHNIČKI PODACI ①

ELEMENTI ALATA ②

- A Ručica za punjenje magacina
- B Klizač
- C Magacin
- D Glava za heftanje
- E Prekidač za uključivanje/isključivanje
- F Prekidač
- G Točkić za izbor jačine heftanja
- H Pokazivač ponovnog punjenja
- J Prorezi za hlađenje

SIGURNOST

OPŠTA SIGURNOSNA UPOZORENJA ZA ELEKTRIČNI ALAT

UPOZORENJE Pročitajte sva sigurnosna upozorenja, uputstva, ilustracije i specifikacije isporučene uz ovaj električni alat. Propusti kod pridržavanja svih dole navedenih uputstava mogu imati za posledicu električni udar, požar i/ili teške povrede.

Sačuvajte sva upozorenja i uputstva za buduću upotrebu.

Pojam upotrebljen u upozorenjima "električni alat" odnosi se na električne alate sa radom na mreži (sa mrežnim kablom) i na električne alate sa radom na akumulator (bez mrežnog kabla).

1) SIGURNOST NA RADNOM MESTU

- a) **Držite Vaše područje rada čisto i pospremljeno.**
Nered ili neosvetljena radna područja mogu voditi nesrećama.
- b) **Ne koristite električni alat tamo gde postoji opasnost od eksplozije kao npr. u prisustvu zapaljivih tečnosti, gasova ili prašine.** Električni alati proizvode varnice, koje mogu zapaliti prašinu ili isparenja.
- c) **Za vreme korišćenja električnog alata držite podalje decu i druge osobe.** Kod skretanja možete izgubiti kontrolu nad alatom.

2) ELEKTRIČNA SIGURNOST

- a) **Utikač električnog alata mora odgovarati utičnici.** Nikada nemojte modifikovati utikač. **Ne upotrebljavajte adaptore utikača sa uzemljenim električnim alatom.** Nemodifikovani utikači i odgovarajuće utičnice smanjuju rizik od električnog udara.
- b) **Izbegavajte telesni kontakt sa uzemljenim gornjim površinama, kao što su cevi, grejanja, šporeti i rashladni ormani.** Postoji povećani rizik od električnog udara, ako je Vaše telo uzemljeno.
- c) **Ne izlažite električni alat kiši ili vlažnim uslovima.** Prodor vode u električni alat povećava rizik od električnog udara.
- d) **Ne zloupotrebljavajte kabl.** Nikada nemojte koristiti kabl za nošenje i vučenje električnog alata ili za izvlačenje iz utičnice. Držite kabl dalje od vreline, ulja, oštih ivica ili pokretnih delova. Oštećeni ili umršeni kablovi povećavaju rizik električnog udara.
- e) **Ako sa nekim električnim alatom radite u prirodi, upotrebljavajte samo produžne kablove koji su dozvoljeni za spoljno područje.** Upotreba produžnog kabla pogodnog za spoljno područje smanjuje rizik od električnog udara.
- f) **Ako rad električnog alata ne može da se izbegne u vlažnoj okolini, koristite prekidač strujne zaštite pri kvaru.** Upotreba prekidača strujne zaštite pri kvaru smanjuje rizik od električnog udara.

3) SIGURNOST OSOBA

- a) **Budite oprezni, pazite na to šta radite i razumno rukujte Vašim električnim alatom. Ne koristite električni alat dok ste umorni ili pod uticajem narkotika, alkohola ili lekova.** Momenat nepažnje kod upotrebe električnog alata može rezultirati ozbiljnim povredama.
- b) **Nosite ličnu zaštitnu opremu i uvek zaštitne naočare.** Nošenje lične zaštitne opreme, kao maske za prašinu, sigurnosne cipele koje ne klizaju, zaštitni šlem ili zaštitu za sluh, zavisno od vrste i upotrebe električnog alata, smanjujete rizik od povreda.
- c) **Sprečite nenamerno puštanje u rad. Pre priključivanja na struju i/ili na akumulatorsku bateriju, podizanja ili nošenja alata uverite se da je prekidač isključen.** Nošenje električnog alata sa prstom na prekidaču ili priključivanje na struju uključenog električnog alata vodi do nesreće.
- d) **Uklonite bilo kakve ključeve za podešavanje ili ključeve za zavrtnjeve, pre nego što uključite električni alat.** Ostavljanje ključa za zavrtnjeve ili ključa prikačene na rotirajući deo električnog alata može rezultirati ličnom povredom.

- e) **Ne zauzimajte neadekvatan položaj. Sve vreme držite ravnotežu i pravilan položaj nogu.** Ovo omogućava bolje upravljanje električnim alatom u neočekivanim situacijama.
- f) **Nosite pogodno odelo. Ne nosite široko odelo ili nakit. Držite kosu i odeću dalje od pokretnih delova.** Opušteno odelo, nakit ili duža kosa mogu biti zahvaćeni od rotirajućih delova.
- g) **Ako se mogu montirati uredjaji za usisavanje prašine i uredjaji za hvatanje prašine, uverite se da li su priključeni i ispravno koriste.** Upotreba usisavanja prašine može smanjiti opasnosti od prašine.
- h) **Ne dozvolite da pouzdanje koje ste stekli čestom upotrebom alata utiče na to da postanete neoprezni i da zanemarite sigurnosne principe za upotrebu alata.** Neoprezno delovanje može prouzrokovati teške povrede u deliću sekunde.

4) BRIŽLJIVO OPHODJENJE I KORIŠĆENJE ELEKTRIČNIH ALATA

- a) **Ne preopterećujte električni alat. Koristite električni alat koji odgovara Vašoj primeni.** Sa odgovarajućim električnim alatom radite bolje i sigurnije tempom za koji je projektovan.
- b) **Ne upotrebljavajte električni alat, čiji je prekidač u kvaru.** Električni alat koji više ne može da se uključi ili isključi je opasan i mora da se popravi.
- c) **Izvcite utikač iz utičnice i/ili izvadite akumulatorsku bateriju, ukoliko je to moguće, iz električnog alata pre nego što izvršite bilo kakva podešavanja, promenu pribora ili pre nego što uskladištite električni alat.** Takve preventivne sigurnosne mere smanjuju rizik od slučajnog pokretanja električnog alata.
- d) **Čuvajte električne alate koje ne koristite izvan domašaja dece i ne dozvoljavajte osobama, koje nisu upoznate sa ovim električnim alatom ili sa ovim uputstvom, da rukuju električnim alatom.** U rukama neobučanih korisnika električni alati postaju opasni.
- e) **Održavajte električni alat i pribore. Proverite da li su pokretni delovi u ravni i da li negde zapinju, da nije došlo do lomljenja delova i svako drugo stanje koje može uticati na rad električnog alata.** Ukoliko je oštećen, odnesite električni alat na popravku pre korišćenja. Mnoge nesreće su prouzrokovane lošim održavanjem električnih alata.
- f) **Držite alate za sečenje oštre i čiste.** Brižljivo negovani alati za sečenje sa oštirim sečivima manje slepljuju i lakše se vode.
- g) **Upotrebljavajte električne alate, pribor, alate koji se umeću itd. prema ovim uputstvima. Obratite pažnju pritom na uputstva za rad i posao koji treba izvesti.** Upotreba električnih alata za druge od propisanih namena može voditi opasnim situacijama.
- h) **Održavajte drške i prihvatne površine suvim, čistim i bez ostataka ulja ili masnoće.** Klizave drške ili prihvatne površine ne omogućavaju bezbedno rukovanje i upravljanje alatom u neočekivanim situacijama.

5) SERVISIRANJE

- a) **Vaš električni alat dajte na servisiranje samo kvalifikovanom licu za popravku, koristeći pritom samo identične rezervne delove.** Ovo će osigurati očuvanje bezbednosti električnog alata.

SIGURNOSNA UPUTSTVA ZA HEFTALICU

- **Podijte uvek od toga, da alat sadrži spajalice** (bezbrizno rukovanje uredjajem za ukucavanje može se uticati na neočekivano ispaljivanje spajalica i Vas povrediti)
- **Ne gadajte sa alatom na sebe samog ili druge osobe u blizini** (neočekivanim oslobađanjem se izbacuje spajalica, što može uticati na povrede)
- **Ne aktivirajte alat, pre nego što stavite na radni komad** (ako alat nema nikakav kontakt sa radnim komadom, može se spajalica odbiti od mesta za pričvršćivanje)
- **Odvojte alat od drveta ili akumulatora, ako je spajalica zaglavljena u alatu** (ako je uredjaj za ukucavanje priključen, može se greškom aktivirati pri uklanjanju jedne zaglavljene spajalice)
- **Budite oprezni pri uklanjanju zaglavljene spajalice** (sistem može biti zategnut i spajalica se može snažno izbaciti, dok pokušavate ukloniti zaglavljivanje)
- **Ne upotrebljavajte ovaj uredjaj za pričvršćivanje električnih vodova** (nije pogodan za instalaciju električnih vodova, može oštetiti izolaciju električnih kablova i tako prouzrokovati električni udar i opasnosti od požara)
- **Obezbedite radni predmet** (radni predmet stegnut pomoću stega ili nečeg sličnog je mnogo stabilniji nego kada se drži rukom)
- **Ovaj alat nije predviđen za to da ga koriste deca i osobama sa smanjenim fizičkim, senzorskim ili mentalnim sposobnostima ili sa manjkom iskustva i znanja**
- Vodite računa da se deca ne igraju sa alatom
- SKIL može priznati garanciju samo ukoliko je korišćen originalni pribor
- Uvek se уверite da je napon struje isti kao i napon naveden na pločici sa nazivom alatu
- Izbegavajte oštećenja od šrafova, eksera i drugih predmeta na vašem području rada; uklonite ih pre nego što započnete rad
- U slučaju da dođe do električnog ili mehaničkog kvara, odmah isključite alat i iskopčajte ga iz utičnice
- Ako se kabl ošteti ili preseče u toku rada, odmah ga iskopčajte i nemojte ga dodirivati
- Nikada nemojte da koristite alat ako je kabl oštećen; zamenu kabla mora da obavi stručno lice
- Produžni kabl koji koristite mora da bude sasvim odmotan i siguran, sa kapacitetom od 16 A

OBJAŠNJENJE SIMBOLA NA ALATU

- ③ Pročitajte uputstvo za korišćenje pre prve upotrebe
- ④ Dvostruka izolacija (nije potrebna žica za uzemljenje)
- ⑤ Alat ne odlažite u kućne otpatke

UPUTSTVO ZA KORIŠĆENJE

- Ubacivanje municije za heftanje/eksera ⑥
 - ! **iskopčajte utikač**
 - okrenite alat naopačke
 - pritisnite ručicu A povlačeći klizač B nazad
 - ubacite municiju/traku sa ekserima u magacin C sa nožicama nadole (maksimalan kapacitet 100 spajalica/80 eksera)
 - gurnite klizač B prema glavi za heftanje D dok ne upadne u ležište

- pri ubacivanju trake sa ekserima (ne isporučuje se sa alatom) protresite alat tako da traka sa ekserima upadne u magacin na strani na kojoj se nalazi oznaka za ekser na glavi za heftanje D ⑦
- ponovno napunite magacin C kada je kroz otvor vidljiv kraj linije spojnica ili linije eksera H ②
- Rukovanje alatom ⑧
 - uključite alat pritiskajući prekidač E u "I" poziciju
 - glavu heftalice čvrsto pritisnite D o radni predmet dok u potpunosti ne bude utisnuta
 - kratko pritisnite prekidač F a zatim ga ponovo otpustite
- ! **dok radite, uvek držite alat za mesto(a) koje(a) su označena sivom bojom**
- isključite alat pritiskajući prekidač E u "O" poziciju
- Jačina heftanja ⑨
 - Pomoću točka G se može podešavati kontinuirano od minimuma do maksimuma (- / +) potrebna jačina heftanja
 - "–" za tanke i meke materijale kao što su folije i tekstil
 - "+" za debele i tvrde materijale kao što su tvrdo drvo i zidovi
 - pre početka rada, odredite optimalnu jačinu heftanja isprobavanjem na materijalu koji vam nije potreban

SAVETI ZA PRIMENU

- Ploče za pričvršćivanje ⑩
- Pričvršćivanje tekstila ⑪
- Za spajanje tvrdog drveta, koristite spojnice koje su kraće od onih priloženih uz alat
- Izbegavajte pucanje na prazno da bi smanjili habanje opruge
- Za više saveta pogledajte www.skil.com

ODRŽAVANJE / SERVIS

- Ovaj alat nije namenjen za profesionalnu upotrebu
- Alat i kabl uvek održavajte čistim (posebno otvore za hlađenje J ②)
 - ! **pre čišćenja iskopčajte kabl iz utičnice**
- Ako bi alat i pored brižljivog postupka izrade i kontrole nekada otkazao, popravku mora vršiti neki autorizovani servis za SKIL-električne alate
 - pošaljite **nerastavljeni** alat zajedno sa potvrdom o kupovini vašem nabavljaču ili najbližem SKIL servisu (adrese i oznake rezervnih delova možete naći na www.skil.com)

ZAŠTITA OKOLINE

- **Električne alate, pribora i ambalaže ne odlažite u kućne otpatke** (samo za EU-države)
 - prema Evropskoj direktivi 2012/19/EG o staroj električnoj i elektronskoj opremi i njenoj upotrebi u skladu sa nacionalnim pravom, električni alati koji su istrošeni moraju biti sakupljeni odvojeno i dostavljeni pogonu za reciklažu
 - simbol ⑤ će vas podsetiti na to

BUKA / VIBRACIJE

- Mereno u skladu sa EN 60745 nivo pritiska zvuka ovog alata iznosi 84 dB(A) a jačina zvuka 95 dB(A) (normalno odstupanje: 3 dB), a vibracija 7,0 m/s² (zbir vektora tri pravca; nesigurnost K = 1,5 m/s²)

- Nivo emisije vibracija izmeren je u skladu sa standardizovanim testom datim u EN 60745; on se može koristiti za upoređenje jedne alatke sa drugom, kao i za preliminarnu procenu izloženosti vibracijama pri korišćenju ove alatke za pomenute namene
 - korišćenje alatke u drugačije svrhe ili sa drugačijim ili slabo održanim nastavcima može značajno **povećati** nivo izloženosti
 - vreme kada je alatka isključena ili kada je uključena, ali se njome ne radi, može značajno **smanjiti** nivo izloženosti
- ! **zaštite se od posledica vibracija održavanjem alatke i njenih nastavaka, održavajući Vaše ruke toplim i organizovanjem Vaših radnih obrazaca**

SL0

Pribijač

8200

UVOD

- To orodje je namenjeno za spenjanju in pribijanju kartona, izolacijskega materiala, tkanin, folij, usnja in podobnih materialov na lesene ali lesu podobne površine
- To orodje ni primerno za pritrjevanje stenskih ali stropnih oblog
- To orodje ni namenjeno profesionalni uporabi
- Preberite in shranite navodila za uporabo ③

TEHNIČNI PODATKI ①

DELI ORODJA ②

- A Ročica za polnjenje magazina
- B Drsnik
- C Magazin
- D Glava spenjalnika
- E Stikalo vklopi/izklopi
- F Sprožilec
- G Kolesce za izbor upravljanja nabijanja
- H Kazalnik za ponovno polnjenje
- J Ventilacijske reže

VARNOST

SPLOŠNA VARNOSTNA OPOZORILA ZA ELEKTRIČNA ORODJA

⚠ OPOZORILO Preberite vsa varnostna opozorila, navodila, ilustracije in specifikacije, ki so priložene temu električnemu orodju. Če spodaj navedenih napotkov ne upoštevate, lahko pride do električnega udara, požara in/ali težke poškodbe.

Vsa opozorila in navodila shranite, saj jih boste v prihodnosti morda potrebovali.

Pojem "električno orodje", ki se pojavlja v nadaljnjem besedilu, se nanaša na električna orodja z električnim pogonom (z električnim kablom) in na akumulatorska električna orodja (brez električnega kabla).

1) VARNOST NA DELOVNEM MESTU

- Poskrbite, da bo Vaše delovno mesto vedno čisto in urejeno.** Nered ali neosvetljena delovna področja lahko povzročijo nezgode.
- Prosimo, da orodja ne uporabljate v okolju, kjer je nevarnost za eksplozije in v katerem se nahajajo gorljive tekočine, plini in prah.** Električna orodja povzročajo iskre, zato se gorljivi prah ali pare lahko vnamejo.
- Ne dovolite otrokom in drugim osebam, da bi se medtem ko delate, približali električnemu orodju.** Druge osebe lahko odvrnejo Vašo pozornost drugam in izgubili boste nadzor nad orodje.

2) ELEKTRIČNA VARNOST

- Vtič mora ustrezati električni vtičnici in ga pod nobenim pogojem ne smete spreminjati. Uporaba adapterskih vtičev v kombinaciji z ozemljena orodja ni dovoljena.** Originalni oziroma nespremenjeni vtiči in ustrezne vtičnice zmanjšujejo tveganje električnega udara.
- Izogibajte se telesnemu stiku z ozemljenimi površinami, na primer s cevmi, grelci, štedilniki in hladilniki.** Če je ozemljeno tudi vaše telo, obstaja povečano tveganje električnega udara.
- Zavarujte orodje pred dežjem ali vlago.** Vdor vode v električno orodje povečuje tveganje električnega udara.
- Električnega kabla ne uporabljajte za prenašanje ali obežanje orodja in ne vlecite vtič iz vtičnice tako, da vlečete za kabel. Zavarujte kabel pred vročino, oljem, ostrimi robovi in premikajočimi se deli orodja.** Poškodovani ali prepleteni kabli povečujejo tveganje električnega udara.
- Če z električnim orodjem delate na prostem, uporabljajte izključno kabelski podaljšek, ki je atestiran za delo na prostem.** Uporaba kabelskega podaljška, primernege za delo na prostem, zmanjšuje tveganje električnega udara.
- Če je uporaba električnega orodja v vlažnem okolju neizogibna, uporabljajte prekinjevalec električnega tokokroga.** Prekinjevalca električnega tokokroga zmanjšuje tveganje električnega udara.

3) OSEBNA VARNOST

- Bodite zbrani in pazite, kaj delate. Dela z električnim orodjem se lotite razumno. Nikoli ne uporabljajte orodja, če ste utrujeni in če ste pod vplivom mamil, alkohola ali zdravil.** En sam trenutek nepazljivosti pri uporabi orodja ima lahko za posledico resne telesne poškodbe.
- Uporabljajte osebna zaščitna sredstva in vedno nosite zaščitna očala.** Uporaba osebnih zaščitnih sredstev, na primer maske proti prahu, nedrsečih zaščitnih čevljev, zaščitne čelade in slušnikov, odvisno od vrste in uporabe električnega orodja, zmanjšuje tveganje telesnih poškodb.
- Izogibajte se nenamernemu zagonu. Pred priključitvijo električnega orodja na električno omrežje in/ali na akumulator in pred dviganjem ali nošenjem se prepričajte, če je električno orodje izklopljeno.** Prenašanje naprave s prstom na stikalo ali priključitev vklopljenega električnega orodja na električno omrežje je lahko vzrok za nezgode.

- d) **Pred vklopom orodja odstranite z nje nastavitvena orodja ali vijačni ključ.** Orodje ali ključ, ki se nahajata na vrtečem se delu električnega orodja, lahko povzročita nezgodo.
- e) **Ne precenjujte se in poskrbite za varno stojišče in stalno ravnotežje.** Tako boste lahko v nepričakovani situaciji bolje obvladali orodje.
- f) **Oblecite se primerno. Ne nosite ohlapnih oblačil ali nakita. Las in oblačil ne približujte premikajočim se delom.** Ohlapna oblačila, nakit ali dolgi lasje se lahko ujamejo v premikajoče se dele.
- g) **Če je možno na orodje namestiti priprave za odsesavanje in prestrezanje prahu, prepričajte se, ali so le-te priključene in, če jih pravilno uporabljate.** Uporaba priprave za odsesavanje prahu zmanjšuje zdravstveno ogroženost zaradi prahu.
- h) **Naj seznanjenost z orodjem, ki jo pridobite s pogosto uporabo, ne bo razlog za to, da postanete lahkomišelní in ignorirate varnostna načela.** V delčku sekunde lahko nepozorno dejanje pripelje do hude poškodbe.
- 4) RAVNANJE IN NEGA ROČNEGA ORODJA**
- a) **Ne preobremenjujte orodja. Za določeno delo uporabljajte električno orodje, ki je predvideno za opravljanje tega dela.** Z ustreznim električnim orodjem boste delo opravili bolje in varneje, ker je bilo v ta namen tudi konstruirano.
- b) **Električno orodje, ki ima pokvarjeno stikalo, ne uporabljajte.** Električno orodje, ki ga ni možno vklopiti ali izklopiti, je nevarno in ga je potrebno popraviti.
- c) **Izvalcite vtič iz vtičnice in/ali odstranite akumulatorske baterije, če jo je mogoče izvzeti, še preden orodje popravljate, menjujete pribor ali ga shranite.** Ti preventivni varnostni ukrepi zmanjšajo tveganje za nenamenski zagon orodja.
- d) **Kadar orodja ne uporabljate ga shranjujte izven dosega otrok. Osebam, ki orodja ne poznajo ali niso prebrale teh navodil, orodja ne dovolite uporabljati.** Električna orodja so nevarna, če jih uporabljajo neizkušene osebe.
- e) **Vzdržujte električna orodja in pribor. Preverite, če premikajoči se deli orodja delujejo brezhibno in če se ne zatikajo, oziroma, če kakšen del orodja ni zlomljen ali poškodovan do te mere, da bi oviral njegovo delovanje. Pred nadaljnjo uporabo je potrebno poškodovani del popraviti.** Vzrok za številne nezgode so ravno slabo vzdrževana električna orodja.
- f) **Rezalna orodja naj bodo ostrá in čista.** Skrbno negovana rezalna orodja z ostrimi rezili se manj zatikajo in so boljje vodljiva.
- g) **Električna orodja, pribor, nastavke in podobno uporabljajte v skladu s temi navodili. Pri tem upoštevajte delovne pogoje in vrsto dela, ki ga nameravate opraviti.** Zaradi uporabe električnega orodja v druge, nepredvidene namene, lahko nastanejo nevarne situacije.
- h) **Ročaji in površine za prijetanje naj bodo suhe, čiste in brez olja ali maščobe.** Gladki ročaji in površine za prijetanje ne omogočajo varne uporabe in nadzora orodja v nepričakovanih situacijah.

5) SERVISIRANJE

- a) **Popravilo orodja lahko opravi samo usposobljena strokovna oseba in to izključno z originalnimi nadomestnimi deli.** Le tako bo ohranjena nadaljnja varnost orodja.

VARNOSTNA NAVODILA ZA ZABIJALNE NAPRAVE

- **Vedno izhajajte iz tega, da se v orodju nahajajo sponke** (brezkrbno rokovanje z zabijalno napravo lahko vodi k nepričakovani izstrelitvi sponk in vas poškoduje)
 - **S svojim orodjem ne ciljajte na svoje telo ali na druge osebe v bližini** (z nepričakovano sprostitvijo se izvržejo sponke, kar lahko vodi k poškodbam)
 - **Ne aktivirajte orodja, preden ga ne postavite fiksno na obdelovanec** (če orodje nima stika z obdelovancem, se lahko sponka odbije od pritrilnega mesta)
 - **Če se sponka v orodju zatakne, ločite orodje od omrežja ali od akumulatorske baterije** (če je zabijalna naprava priključena, jo lahko pri odstranitvi zataknjene sponke pomotoma aktivirate)
 - **Bodite previdni pri odstranitvi zataknjene sponke** (sistem je lahko napet in sponka se lahko močno izstrelí, medtem ko poskušate odstraniti zataknitev)
 - **Zabijalne naprave ne uporabljajte za pritrilitev električnih vodnikov** (naprava ni primerna za instalacijo električnih vodnikov, saj lahko poškoduje izolacijo električnih kablov in tako povzroči električni udar in nevarnosti požara)
 - **Zavarujte obdelovanec** (obdelovanec stisnjen v prižemi ali prirežu je bolj varen kot v roki)
 - **To orodje ni namenjeno uporabi s strani otroci in osebe z zmanjšanimi fizičnimi, senzoričnimi ali mentalnimi sposobnostmi ali s premalo izkušenj ali znanja**
 - Zagotovite, da se otroci ne bodo igrali z orodjem
 - SKIL zagotavlja brezhibno delovanje orodja le z uporabo originalnega dodatnega pribora
 - Vedno preverite, če je napetost omrežja enaka napetosti, ki je navedena na tablici orodja
 - Izogibajte se poškodb zaradi vijakov, žebeljev ali drugih elementov v obdelovancu; odstranite jih pred začetkom dela
 - Če pride do električnih ali mehanskih okvar, takoj izklopite stroj in izvalcite vtičak iz vtičnice
 - Če je priključni kabel poškodovan ali se med delom pretrga se ga ne dotikajte, temveč takoj potegnite električni vtičak iz vtičnice
 - Nikoli ne uporabljajte orodja, če je kabel poškodovan; okvaro naj odpravi strokovnjak
 - Uporabljajte povsem iztegnjene in varne električne podaljške, z jakostjo 16 amperov
- POJASNILO OZNAK NA ORODJU**
- ③ Pred uporabo preberite navodila za uporabo
 ④ Dvojna izolacija (ozemljitveni kabel ni potreben)
 ⑤ Orodja ne odstranjujte s hišnimi odpadki

UPORABA

- Polnjenje sponk/žebeljev ⑥
- ! **izključite vtičak**
 - obrnite orodje na glavo
 - pritisnite zatič A, medtem ko vlečete drsnik B nazaj

- v magazin C vstavite paličko sponk/žebļev z nogami navzgor (maksimalna kapaciteta 100 sponk/80 žebļev)
- drsnik B potiskajte h glavi spenjalnika D, dokler ne zaskoči
- ko vstavljate paličko žebļev (ki ni iz dobavnega obsega orodja) spenjalnik nagnite tako, da palička žebļev leži ob boku magazina in se ujema s simbolom žebļja na glavi spenjalnika D ⑦
- znova napolnite magazin C, ko se prikaže konec traka sponk ali žebļev v odprtini H ②
- Upravljanje orodja ⑧
 - vklopite orodje s premikom stikala E v položaj "I"
 - glavo spenjalnika D trdno pritisnite ob obdelovanec, dokler ni pritisnjena do konca
 - na kratko pritisnite stikalo F in ga nato znova spustite
- ! **med delom vedno držite orodje za sivo obarvano mesto prijema**
- izklopite orodje s premikom stikala E v položaj "O"
- Upravljanje nabijanja ⑨

S pomočjo kolesca G se lahko stopnjo nabijanja mogoče brezstopenjsko nastavlja od nizke do visoke (- / +)

 - "-" za tanke in lahke materiale kot so folije in tkanine
 - "+" za debele in trde materiale kot je trd les ali stena
 - pred začetkom dela poiščite optimalno raven tako, da naredite poiskus na rezervnem materialu

UPORABNI NASVETI

- Pritrjevanje panel ⑩
- Pritrjevanje tkanin ⑪
- Za spenjanje trdega lesa uporabite krajše sponke, kot so priložene orodju
- Da bi zmanjšali obrabo kladiva, se izogibajte praznim strelom
- Za več nasvetov glejte pod www.skil.com

VZDRŽEVANJE/SERVISIRANJE

- Orodje ni namenjeno profesionalni uporabi
- Priključni kabel in orodje naj bosta vedno čista (posebej še prezračevalne odprtine J ②)
- ! **izvlecite vtičnik iz vtičnice pred čiščenjem**
- Če bi kljub skrbnim postopkom izdelave in preizkušanja prišlo do izpada delovanja orodja, naj popravilo opravi servisna delavnica, pooblaščen za popravila SKILevih električnih orodij
 - pošljite **nerazstavljeno** orodje skupaj s potrdilom o nakupu pri vašemu prodajalcu v najbližjo SKIL servisno delavnico (naslovi, kot tudi spisek rezervnih delov se nahaja na www.skil.com)

OKOLJE

- **Električnega orodja, pribora in embalaže ne odstranjujte s hišnimi odpadki** (samo za države EU)
 - v skladu z Evropsko direktivo 2012/19/EG o odpadni električni in elektronski opremi in z njenim izvajanjem v nacionalni zakonodaji je treba električna orodja ob koncu njihove življenjske dobe ločeno zbirati in jih predati v postopek okolju prijaznega recikliranja
 - ko je potrebno odstranjevanje, naj vas o načinu spomni simbol ⑤

HRUP / VIBRACIJA

- Izmerjeno v skladu s predpisom EN 60745 je raven zvočnega pritiska za to orodje 84 dB(A) in jakosti zvoka 95 dB(A) (standarden odmik: 3 dB), in vibracija 7,0 m/s² (vektorska vsota treh smeri; netočnost K = 1,5 m/s²)
- Raven oddajanja vibracij je bila izmerjena v skladu s standardiziranimi testi, navedenimi v EN 60745; uporabiti jo je mogoče za primerjavo različnih orodij med seboj in za predhodno primerjavo izpostavljenosti vibracijam pri uporabi orodja za namene, ki so omenjeni
 - uporaba orodja za drugačne namene ali uporaba skupaj z drugimi, slabo vzdrževanimi nastavki lahko znatno **poveča** raven izpostavljenosti
 - čas, ko je orodje izklopljeno ali ko teče, vendar z njim ne delamo, lahko znatno **zmanjša** raven izpostavljenosti
- ! **pred posledicami vibracij se zaščitite z vzdrževanjem orodja in pripadajočih nastavkov, ter tako, da so vaše roke tople, vaši delovni vzorci pa organizirani**

EST

Klambrilööja

8200

SISSEJUHATUS

- Käesolev seade on mõeldud papi, isolatsioonimaterjali, tekstiili, kile, naha jms materjalide klammerdamiseks ja naelutamiseks puidust või puidusarnasest materjalist pindade külge
- See tööriist ei sobi sein- ja laeplaatide kinnitamiseks
- See tööriist pole mõeldud professionaalseks kasutamiseks
- Palun lugege käesolev kasutusjuhend hoolikalt läbi ja hoidke alles ③

TEHNILISED ANDMED ①

SEADME OSAD ②

- A Salve laadimishoob
- B Liugur
- C Salv
- D Klammerduspea
- E Töölüliti (sisse/välja)
- F Päästiküliti
- G Ketas löögitugevuse valimiseks
- H Taaslaadimise indikaator
- J Õhutusavad

OHUTUS

ÜLDISED OHUTUSNÕUDED ELEKTRILISTE TÕÕRIISTADE KASUTAMISEL

⚠ TÄHELEPANU Lugege läbi kõik elektrilise tööriistaga kaasas olevad ohutusnõuded ja juhised ning tutvuge jooniste ja tehniliste andmetega.

Ohutusnõuete ja juhiste eiramise tagajärjeks võib olla elektrilöök, tulekahju ja/või rasked vigastused.

Hoidke kõik ohutusnõuded ja juhised edaspidiseks alles.

Allpool kasutatud mõiste “elektriline tööriist” käib võrgutoitega (toitejuhtmega) elektriliste tööriistade ja akutoitega (ilma toitejuhtmeta) elektriliste tööriistade kohta.

1) OHUTUSNÕUDED TÕÕPIIRKONNAS

- Hoidke töökoht puhas ja korras.** Segadus või valgustamata tööpiirkonnad võivad põhjustada õnnetusi.
- Ärge kasutage seadet plahvatusohtlikus keskkonnas, kus leidub tuleohtlikke vedelikke, gaase või tolmu.** Elektrilistest tööriistadest lööb sädemeid, mis võivad tolmu või auru süüdata.
- Kui kasutate elektrilist tööriista, hoidke lapsed ja teised isikud töökohast eemal.** Kui Teie tähelepanu kõrvale juhitakse, võib seade Teie kontrolli alt väljuda.

2) ELEKTROOHUTUS

- Seadme pistik peab pistikupessa sobima.** Pistiku kallal ei tohi teha pingeid muudatusi. Ärge kasutage kaitsemaandusega seadmete puhul adapterpistikuid. Muutmata pistikud ja sobivad pistikupesad vähendavad elektrilöögi saamise riski.
- Vältige kehakontakti maandatud pindadega, nagu torud, radiaatorid, pliigid ja külmikud.** Kui Teie keha on maandatud, on elektrilöögi risk suurem.
- Hoidke seadet vihma ja niiskuse eest.** Kui elektriseadmesse on sattunud vett, on elektrilöögi saamise risk suurem.
- Ärge kasutage toitejuhet selleks mitte ettenähtud otstarbel seadme kandmiseks, ülesriputamiseks ega pistiku pistikupesast väljatõmbamiseks.** Hoidke toitejuhet kuumuse, õli, teravate servade ja seadme liikuvate osade eest. Kahjustatud või keerduläinud toitejuhtmed suurendavad elektrilöögi saamise riski.
- Kui töötate elektrilise tööriistaga vabas õhus, kasutage ainult selliseid pikendusjuhtmeid, mida on lubatud kasutada ka välistingimustes.**

Välistingimustes kasutamiseks sobiva pikendusjuhtme kasutamine vähendab elektrilöögi saamise riski.

- Kui elektrilise tööriista kasutamine niiskes keskkonnas on vältimatu, kasutage maandusega lekkevoolukaitset.** Maandusega lekkevoolukaitsme kasutamine vähendab elektrilöögi ohtu.

3) INIMESTE TURVALISUS

- Olge tähelepanelik, jälgige, mida Te teete, ning toimige elektrilise tööriistaga töötades mõistlikult.** Ärge kasutage seadet, kui olete väsinud või uimastite, alkoholi või ravimite mõju all. Hetkeline tähelepanematus seadme kasutamisel võib põhjustada tõsiseid vigastusi.

- Kandke isikukaitsevahendeid ja alati kaitseprille.** Isikukaitsevahendite, nagu tolmutmask, liibisemiskindlad turvajalatsid, kaitsekiiver või kuulmiskaitsevahendid, kandmine – sõltuvalt elektrilise tööriista tüübist ja kasutusalasest – vähendab vigastuste riski.
 - Vältige seadme tahtmatut käivitamist.** Enne pistiku ühendamist pistikupessa, aku ühendamist seadme külge, seadme ülestõstmist ja kandmist veenduge, et elektriline tööriist on välja lülitatud. Kui hoiate elektrilise tööriista kandmisel sõrme lülitil või ühendate vooluvõrku sisselülitatud seadme, võivad tagajärjeks olla õnnetused.
 - Enne seadme sisselülitamist eemaldage selle küljest reguleerimis- ja mutrivõtmed.** Seadme pöörleva osa küljes olev reguleerimis- või mutrivõti võib põhjustada vigastusi.
 - Ärge hinnake end üle. Võtke stabiilne tööasend ja hoidke kogu aeg tasakaalu.** Nii saate seadet ootamatutes olukordades paremini kontrollida.
 - Kandke sobivat rõivastust. Ärge kandke laiu riideid ega ehteid.** Hoidke juuksed ja rõivad seadme liikuvatest osadest eemal. Lotendavad riided, ehted või pikad juuksed võivad sattuda seadme liikuvate osade vahele.
 - Kui on võimalik paigaldada tolmuemaldus- ja tolmu kogumisseadiseid/seadmeid, veenduge, et need oleksid seadmega ühendatud ja et neid kasutataks õigesti.** Tolmuemaldusseadise kasutamine vähendab tolmut põhjustatud ohte.
 - Ärge muutuge tööriista sagedasest kasutamisest hooletuks ja ärge eirake ohutusnõudeid.** Hooletus võib sekundi mürdosa jooksul kaasa tuua raskeid vigastusi.
- ### 4) ELEKTRILISTE TÕÕRIISTADE HOOLIKAS KÄSITSEMINE JA KASUTAMINE
- Ärge koormake seadet üle.** Kasutage töö tegemiseks selleks ettenähtud elektrilist tööriista. Sobiva elektrilise tööriistaga töötate paremini ja turvalisemalt ettenähtud võimsusvahemikus.
 - Ärge kasutage elektrilist tööriista, mille lülitil on rikkis.** Elektriline tööriist, mida ei ole enam võimalik sisse ja välja lülitada, on ohtlik ning seda tuleb remontida.
 - Tõmmake pistik pistikupesast välja ja/või eemaldage seadme aku, kui on eemaldatav, enne seadme reguleerimist, tarvikute vahetamist ja seadme ärapanekut.** See ettevaatusabinõu väldib seadme tahtmatut käivitamist.
 - Kasutusvälisel ajal hoidke elektrilisi tööriistu lastele kättesaamatult.** Ärge laske seadet kasutada isikutel, kes seda ei tunne või pole siintoodud juhiseid lugunud. Kogenematute kasutajate käes kujutavad elektrilised tööriistad ohtu.
 - Hoolitsege elektriliste tööriistade ja tarvikute eest korralikult.** Kontrollige, kas seadme liikuvad osad funktsioneerivad korralikult ja ei kiildu kinni, ning ega mõned osad ei ole katki või sel määral kahjustatud, et võiksid mõjutada seadme töökõndlust. Laske kahjustatud osad enne seadme kasutamist parandada. Paljude õnnetuste põhjuseks on halvasti hooldatud elektrilised tööriistad.
 - Hoidke lõiketarvikud teravad ja puhtad.** Hoolikalt hoitud, teravate lõikeservadega lõiketarvikud kiilduvad harvemini kinni ja neid on lihtsam juhtida.

- g) **Kasutage elektrilist tööriista, lisavarustust, tarvikuid jne vastavalt siintoodud juhistele. Arvestage seejuures töötajate ja teostatava töö iseloomuga.** Elektriliste tööriistade kasutamine mitte ettenähtud otstarbel võib põhjustada ohtlikke olukordi.
- h) **Hoidke käepidemed ja haardepinnad kuiva ja puhtana ning vabana õlist ja määrdeainetest.** Libedad käepidemed ja haardepinnad ei luba tööriista ohutult käsitseda ja ootamatutes olukordades kontrolli all hoida.

5) TEENINDUS

- a) **Laske seadmed parandada ainult kvalifitseeritud spetsialistidel ja ainult originaalvaruosadega.** Nii tagate seadme püsimise turvalisena.

JUHTMETA KLAMBRIPÜSTOLITE OHUTUSJUHISED

- **Lähtuge alati sellest, et seade sisaldab klambreid** (klambripüstoli hooletul käsitlemisel võivad klambriid soovimatult välja paiskuda ja Teid või teisi inimesi vigastada)
- **Ärge suunake seadet iseenda ega läheduses viibivate inimeste poole** (juhuslik vajutamine päästikule toob kaasa klambri väljatulistamise, mis võib põhjustada vigastusi)
- **Käsitsege seadet alles siis, kui see on asetatud kindlalt tooriku peale** (kui seade ei ole toorikuga kindlas kokkupuutes, võib klamber kinnituskohalt tagasi porkuda)
- **Juhul kui klamber kiilub seadmesse kinni, lahutage seade vooluvõrgust või eemaldage seadme aku** (kui klambripüstol on vooluvõrku ühendatud, võib juhtuda, et kinnikiilunud klambri eemaldamisel rakendate seadme soovimatult tööle)
- **Kinnikiilunud klambri eemaldamisel olge äärmiselt ettevaatlik** (süsteem võib olla pinges all ja klamber võib suure jõuga välja paiskuda)
- **Ärge kasutage seda klambripüstolit elektrijuhtmete kinnitamiseks** (seade ei sobi elektriinstallatsioonitöödeks, kuna võib vigastada elektrijuhtmete isolatsiooni ja tekitada elektrilöögi ja tulekahju ohu)
- **Fikseerige toorik** (fiksaatoriga kinnitatud või kruustangide vahele pandud toorik püsib kindlamini paigal kui lihtsalt käega hoides)
- **Seade ei ole mõeldud kasutamiseks lastele ja isikutele, kelle füüsilised, sensoorsed või vaimsed võimed või kellel puudub kogemus ja teadmised**
- Kindlustage, et lapsed ei mängiks seadmega
- SKIL tagab seadme häreteta töö üksnes originaaltarvikute kasutamisel
- Kontrollige alati, kas võrgupinge ühtib tööriista andesildil toodud pingega
- Vältige töödeldavas esemes olevatest kruvidest, naeltest vms põhjustatud kahjustusi; eemaldage need enne töö alustamist
- Seadme elektrilise või mehhaanilise häire korral lülitage seade viivitamatult välja ja eemaldage pistik vooluvõrgust
- Kui toitejuhe saab töötamise ajal kahjustada või see lõigatakse läbi, ärge toitejuhet puutuge, vaid eemaldage koheselt pistik vooluvõrgust

- Ärge kunagi kasutage kahjustatud toitejuhtmega tööriista; laske toitejuhe remonditöökojas välja vahetada
 - Pikendusjuhtmete kasutamisel jälgige, et juhe oleks lõpuni lahti keritud ja vastaks 16 A voolutugevusele
- TÖÖRIISTAL OLEVATE SÜMBOLITE SELGITUS**
- ③ Enne kasutamist tutvuge kasutusjuhendiga
- ④ Topeltisolatsioon (maandusjuhe pole vajaalk)
- ⑤ Ärge visake kasutuskõlbmatuks muutunud tööriista ära koos olmejäätmetega

KASUTAMINE

- Klambrite/naelte asetamine seadmesse ⑥
- ! **eemaldage seade vooluvõrgust**
 - pöörake seade ümber
 - vajutage hooba A, tõmmates samal ajal liugurit B tagasi
 - asetage klambri-/naelariba salve C, teravikud ülespidi (salve mahub kuni 100 klambrit/80 naela)
 - lükake liugur B vastu klammerduspead D, kuni see klõpsatusega lukustub
 - naelariba (ei ole seadmega kaasas) sissepanekul kallutage seadet nii, et naelariba toetuks vastu salve seda külge, mis vastab klammerduspeal olevale naela tähisele D ⑦
 - laadige salv, C kui klambrite või naelariba ots on avas nähtav H ②
- Seadme kasutamine ⑧
 - tööriista sisselülitamiseks viige lüliti E asendisse "I"
 - suruge klammerduspea D tugevasti vastu toorikut, kuni see täielikult sisse tungib
 - vajutage lühidalt lüliti F ja laske see siis lahti
 - ! **töötamise ajal hoidke tööriista kinni korpuse ja käepideme halli värvi osadest**
 - tööriista väljalülitamiseks viige lüliti E asendisse "O"
- Löögitugevuse regulaator ⑨

Ketta G abil saab sammudeta minimaalse ja maksimaalse asendi (- / +) vahel reguleerida vajaliku löögitugevuse

 - "–" sobib õhukeste materjalide, näiteks kile ja kanga puhul
 - "+" sobib paksude ja kõvade materjalide, näiteks puidu ja seinte puhul
 - enne töö alustamist leidke optimaalne löögitugevus, katsetades seadet proovitükkidega

TÖÖJUHISED

- Plaatide kinnitamine ⑩
- Tekstiili kinnitamine ⑪
- Kasutage kõva puidu klammerdamiseks lühemaid klambreid kui need, mis on tööriistaga kaasas
- Vältige tühilaske, et vähendada löögimehhanismi kulumist
- Rohkem nõuandeid leiate aadressil www.skil.com

HOOLDUS/TEENINDUS

- Tööriist pole mõeldud professionaalseks kasutamiseks
- Hoidke seade ja toitejuhe alati puhtad (eriti õhusaavad J ②)
- ! **enne puhastamist eemaldage seade vooluvõrgust**

- Tööriist on hoolikalt valmistatud ja testitud; kui tööriist sellest hoolimata rikki läheb, tuleb see lasta parandada SKILi elektriliste käsitööriistade volitatud remonditöökojas
- toimetage **lahtimonteerimata** seade koos ostukviitungiga tarnijale või lähimasse SKILi lepingulisse töökotta (aadressid ja tööriista varuosade joonise leiata aadressil www.skil.com)

KESKKOND

- **Ärge visake kasutuskõlbmatuks muutunud elektrilisi tööriistu, lisatarvikuid ja pakendeid ära koos olmejäätmetega** (üksnes EL liikmesriikidele)
- vastavalt Euroopa Parlamendi ja nõukogu direktiivile 2012/19/EÜ elektri- ja elektroonikaseadmete jäätmete kohta ning direktiivi nõuete kohaldamisele liikmesriikides tuleb kasutuskõlbmatuks muutunud elektrilised tööriistad koguda eraldi ja keskkonnasäästlikult korduvkasutada või ringlusse võtta
- seda meenutab Teile sümbol ⑤

MÜRA / VIBRATSIOON

- Vastavalt kooskõlas normiga EN 60745 läbi viidud mõõtmistele on tööriista helirõhk 84 dB(A) ja helitugevus 95 dB(A) (standardkõrvalekalle: 3 dB), ja vibratsioon 7,0 m/s² (kolme telje vektorsumma; mõõtemääramatus K = 1,5 m/s²)
- Tekkiva vibratsiooni tase on mõõdetud vastavalt standardis EN 60745 kirjeldatud standarditud testile; seda võib kasutada tööriistade võrdlemiseks ja tööriista kasutamisel ettenähtud töödeks esineva vibratsiooni esialgseks hindamiseks
- tööriista kasutamisel muudeks rakendusteks või teiste/ halvasti hooldatud tarvikute kasutamisel võib vibratsioon märkimisväärselt **suurened**
- ajal, kui tööriist on väljalülitatud või on küll sisselülitatud, kuid tegelikult seda ei kasutata, võib vibratsioon märkimisväärselt **väheneda**
- ! **enda kaitsmiseks vibratsiooni eest hooldage tööriista ja selle tarvikuid korralikult, hoidke oma käed soojad ja tagage sujuv töökorraldus**

LV

Skavotājs

8200

IEVADS

- Šis instruments paredzēts kartona, izolācijas materiāla, audumu, plēvju, ādas un līdzīgu materiālu piestiprināšanai pie koka vai kokam līdzīgu materiālu virsmām, izmantojot skavas vai naglas
- Darbinstruments nav piemērots piestiprināšanai pie sienas un griestu paneļiem
- Šis instruments nav paredzēts profesionālai lietošanai
- Izlasiet un saglabājiet šo pamācību ③

TEHNISKIE PARAMETRI ①

INSTRUMENTA ELEMENTI ②

- A Svira aptveres uzpildīšanai
- B Bīdnis
- C Aptvere
- D Skavotāja galva
- E Ieslēdzējs
- F Ieslēgšanas slēdzis
- G Triecienu vadības izvēles ritenītis
- H Atkārtoti ielādējiet indikatoru
- J Ventilācijas atveres

DROŠĪBA

VISPĀRĒJIE NOTEIKUMI ELEKTROINSTRUMENTU DROŠAI LIETOŠANAI

⚠ BRĪDINĀJUMS Izlasiet drošības noteikumus un instrukcijas, aplūkojiet ilustrācijas un iepazīstieties ar specifikācijām, kas tiek piegādātas kopā ar šo elektroinstrumentu. Šeit sniegto drošības noteikumu un instrukciju neievērošana var izraisīt aizdegšanos un būt par cēloni elektriskam triecienam vai nopietnam savainojumam.

Saglabājiet visus drošības noteikumus un instrukcijas turpmākai izmantošanai.

Turpmākajā izklāstā lietotais apzīmējums "elektroinstruments" attiecas gan uz tīkla elektroinstrumentiem (ar elektrokabeļi), gan arī uz akumulatora elektroinstrumentiem (bez elektrokabeļa).

1) DROŠĪBA DARBA VIETĀ

- a) **Seko jiet, lai darba vieta būtu tīra un sakārtota.** Nekārtīgā darba vietā vai sliktā apgaismojumā var viegli notikt nelaimes gadījums.
- b) **Nelietojiet elektroinstrumentu eksplozīvu vai ugunsnedrošu vielu tuvumā un vietās ar paaugstinātu gāzes vai putekļu saturu gaisā.** Darba laikā instrumentis nedaudz dzirksteļo, un tas var izsaukt viegli degošu putekļu vai tvaiku aizdegšanos.
- c) **Lietojot elektroinstrumentu, neļaujiet nepiederošām personām un jo īpaši bērniem tuvoties darba vietai.** Citu personu klātbūtne var novērst uzmanību, un tā rezultātā jūs varat zaudēt kontroli pār instrumentu.

2) ELEKTRODROŠĪBA

- a) **Elektroinstrumenta kontaktdakšai jābūt piemērotai elektro tīkla kontaktlīdždai. Kontaktdakšas konstrukciju nedrīkst nekādā veidā mainīt.** Nelietojiet kontaktdakšas salāgotājus, ja elektroinstruments caur kabeli tiek savienots ar aizsargzēmējuma ķēdi. Neizmaiņas konstrukcijas kontaktdakšā, kas piemērota kontaktlīdždai, ļauj samazināt elektriskā triecienu saņemšanas risku.
- b) **Darba laikā nepieskarieties saņemtiem priekšmetiem, piemēram, caurulēm, radiatoriem, plītiem vai ledusskapjiem.** Pieskaroties saņemtiem virsmām, pieaug risks saņemt elektrisko triecienu.
- c) **Nelietojiet elektroinstrumentu lietus laikā, neturiet to mitrumā.** Mitrumam iekļūstot instrumentā, pieaug risks saņemt elektrisko triecienu.
- d) **Nenesiet un nepiekariet elektroinstrumentu aiz elektrokabeļa. Neraujiet aiz kabeļa, ja vēlaties**

- atvienot instrumentu no elektrotīkla kontaktligzdas. **Sargājiet elektrokabeli no karstuma, eļļas, asām šķautnēm un instrumenta kustīgajām daļām.** Bojāts vai samezģlojies elektrokabelis var būt par cēloni elektriskajam triecienam.
- e) **Darbinot elektroinstrumentu ārpus telpām, izmantojiet tā pievienošanai vienīgi tādus pagarinātājkabeļus, kuru lietošana ārpus telpām ir atļauta.** Lietojot elektrokabeli, kas piemērots darbam ārpus telpām, samazinās risks saņemt elektrisko triecienu.
- f) **Ja elektroinstrumentu tomēr nepieciešams lietot vietās ar paaugstinātu mitrumu, izmantojiet tā pievienošanai noplūdes strāvas aizsargreleju.** Lietojot noplūdes strāvas aizsargreleju, samazinās risks saņemt elektrisko triecienu.
- 3) PERSONISKĀ DROŠĪBA**
- a) **Darba laikā saglabājiet paškontroli un rīkojieties saskaņā ar veselo saprātu.** Pārtrauciet darbu, ja jūtaties noguris vai atrodaties alkohola, narkotiku vai medikamentu izraisītā reibumā. Strādājot ar elektroinstrumentu, pat viens neuzmanīgs mirklis var būt par cēloni nopietnam savainojumam.
- b) **Izmantojiet individuālos darba aizsardzības līdzekļus un darba laikā vienmēr nēsājiet aizsargbrilles.** Individuālo darba aizsardzības līdzekļu (putekļu maskas, neslidošu apavu un aizsargkiveres vai ausu aizsargu) pielietošana atbilstoši elektroinstrumenta tipam un veicamā darba raksturam ļauj izvairīties no savainojumiem.
- c) **Nepielaujiet elektroinstrumenta patvaļīgu ieslēgšanos.** Pirms elektroinstrumenta pievienošanas elektrotīklam, akumulatora ievietošanas vai izņemšanas, kā arī pirms elektroinstrumenta pārnesšanas pārliecinieties, ka tas ir izslēgts. Pārnesot elektroinstrumentu, ja pirksts atrodas uz ieslēdzēja, kā arī pievienojot to elektrobarošanas avotam laikā, kad elektroinstrumentis ir ieslēgts, var viegli notikt nelaimes gadījums.
- d) **Pirms instrumenta ieslēgšanas neaizmirstiet izņemt no tā regulējošos instrumentus vai skrūvjatslēgas.** Patronatslēga vai skrūvjatslēga, kas instrumenta ieslēgšanas brīdī nav izņemta no tā, var radīt savainojumu.
- e) **Strādājot ar elektroinstrumentu, ieturiet stingru stāju.** Darba laikā vienmēr saglabājiet līdzsvaru un centieties nepaslidēt. Tas atvieglos instrumenta vadību neparedzētās situācijās.
- f) **Izvēlieties darbam piemērotu apģērbu.** Darba laikā nenēsājiet brīvi plandošas drēbes un rotaslietas. Netuviniet garus matus un drēbes elektroinstrumenta kustīgajām daļām. Vaļīgas drēbes, rotaslietas un gari mati var ieķerties instrumenta kustīgajās daļās.
- g) **Ja elektroinstrumenta konstrukcija ļauj tam pievienot ārējo putekļu uzsūkšanu vai savākšanas/uzkrāšanas ierīci, sekojiet, lai tā tiktu pievienota elektroinstrumentam un pareizi darbotos.** Pielietojot putekļu uzsūkšanu vai savākšanu/uzkrāšanu, samazinās to kaitīgā ietekme uz strādājošās personas veselību.
- h) **Nepaļaujieties uz iemaņām, kas tiek iegūtas, bieži lietojot instrumentus, neieslīgstiet pašapmierinātībā un neignorējiet instrumenta drošas lietošanas principus.** Neuzmanīgas rīcības dēļ dažās sekundēs daļas var gūt nopietnu savainojumu.
- 4) ELEKTROINSTRUMENTU LIETOŠANA UN APKOPE**
- a) **Nepārslogojiet elektroinstrumentu.** Katram darbam izvēlieties piemērotu instrumentu. Elektroinstrumenta darbības labāk un drošāk pie nominālās slodzes.
- b) **Nelietojiet elektroinstrumentu, ja ir bojāts tā ieslēdzējs.** Elektroinstrumentis, ko nevar ieslēgt un izslēgt, ir bīstams lietošanai un to nepieciešams remontēt.
- c) **Pirms elektroinstrumenta apkopes, regulēšanas vai darbinstrumenta nomaīņas atvienojiet tā kontaktdakšu no barojošā elektrotīkla vai izņemiet no tā akumulatoru, ja tas ir izņemams.** Šādi iespējams samazināt elektroinstrumenta nejausās ieslēgšanās risku.
- d) **Elektroinstrumentu, kas netiek darbināts, uzglabājiet piemērotā vietā, kur tas nav sasniedzams bērniem un personām, kuras neprot rīkoties ar instrumentu.** Ja elektroinstrumentu lieto nekompetentas personas, tas var apdraudēt cilvēku veselību.
- e) **Savlaicīgi apkalpojiet elektroinstrumentus un to piederumus.** Pārbaudiet, vai kustīgās daļās darbojas bez traucējumiem un nav iespīlētas, vai kāda no daļām nav salauzta vai bojāta, vai katra no tām pareizi funkcionē un pilda tai paredzēto uzdevumu. Nodrošiniet, lai bojātās daļas tiktu savlaicīgi nomainītas vai remontētas pilnvarotā remontu darbnīcā. Daudzi nelaimes gadījumi notiek tāpēc, ka elektroinstrumentis pirms lietošanas nav pienācīgi apkalpots.
- f) **Savlaicīgi notīriet un uzasiniet griezošos darbinstrumentus.** Rūpīgi kopti instrumenti, kas apgādāti ar asiem griezējinstrumentiem, ļauj strādāt daudz ražīgāk un ir vieglāk vadāmi.
- g) **Lietojiet vienīgi tādus elektroinstrumentus, papildpiederumus, darbinstrumentus utt., kas paredzēti attiecīgajam pielietojuma veidam.** Bez tam jāņem vērā arī konkrētie darba apstākļi un pielietojuma īpatnības. Elektroinstrumentu lietošana citiem mērķiem, nekā to ir paredzējusi ražotājfirma, ir bīstama un var novest pie neparedzamām sekām.
- h) **Uzturiet elektroinstrumenta rokturus un noturvirsmas sausas un tīras, sargājiet tās no eļļas un smērvielām.** Slideni rokturi un noturvirsmas traucē efektīvi rīkoties ar elektroinstrumentu un to droši vadīt neparedzētās situācijās.
- 5) APKALPOŠANA**
- a) **Nodrošiniet, lai Instrumenta remontu veiktu kvalificēts personāls, nomaīnai izmantojot oriģinālās rezerves daļas un piederumus.** Tikai tā iespējams panākt instrumenta ilgstošu un nevainojamu darbību bez atteikumiem.
- DROŠĪBAS NOTEIKUMI SKAVOŠANAS IEKĀRTĀM**
- **Pirms darba vienmēr pārliecinieties, ka instrumentā ir iepildītas skavas** (neuzmanīga apiešanās ar skavošanas iekārtu var būt par cēloni pēkšņai skavas izmešanai, kas var izraisīt savainojumu)

- **Nevērsiet instrumentu pret sevi vai citām tuvumā esošajām personām** (pēkšņi nostrādājot triecienmehānismam, var tikt izmesta skava, kas var izraisīt savainojumu)
- **Nenospieties palaišanas taustiņu, pirms instrumenta triecienizvads nav piespiests stiprināmajam priekšmetam** (ja instruments neatrodas saskarē ar stiprināmo priekšmetu, izmestā skava var atlekt no stiprināšanas vietas)
- **Atvienojiet instrumentu no elektrotīkla vai no akumulatora, ja tajā ir iestrēgusi skava** (ja skavošanas iekārta ir pievienota pie elektrobarošanas avota, iestrēgušās skavas izņemšanas laikā var nejauši iedarboties triecienmehānisms)
- **Ievērojiet piesardzību, mēģinot izņemt stingri iestrēgušo skavu** (šādā gadījumā sistēma ir nosprīgota, un, mēģinot izņemt stingri iestrēgušo skavu, tā var tikt izmesta ar lielu spēku)
- **Nelietojiet šo skavošanas iekārtu elektrisko vadu stiprināšanai** (tā nav paredzēta elektrisko vadu uzstādīšanai, jo skava var bojāt vada izolāciju, radot elektriskā trieciena saņemšanas un aizdegšanās risku)
- **Nostipriniet apstrādājamo detaļu** (to ir drošāk nostiprināt ar spailēm vai skrūvspilēm, nevis turēt rokā)
- **Šis instruments nav paredzēts lai to lietotu bērni un personas ar ierobežotām fiziskām, uztveres vai garīgām spējām, kā arī tiem, kuriem nav vajadzīgās pieredzes un zināšanu**
- Uzmaniet, lai bērni nespēlētos ar šo instrumentu
- Firma SKIL garantē instrumenta nevainojamu darbību tikai tad, ja tiek lietoti oriģinālie papildpiederumi
- Vienmēr pārliecinieties, ka spriegums, kas uzrādīts uz instrumenta marķējuma plāksnītes, atbilst padeves spriegumam elektrotīklā
- Izvairieties no instrumenta bojājumiem, ko var radīt apstrādājamajā priekšmetā esošās skrūves, naglas vai citi līdzīgi objekti; pirms darba uzsākšanas atbrīvojiet apstrādājamo materiālu no šādiem priekšmetiem
- Elektriska vai mehāniska rakstura kļūmes gadījumā nekavējoties izslēdziet instrumentu un atvienojiet kabeļa kontaktdakšu no elektrotīkla
- Ja darba laikā tiek pārgriezts vai citādi mehāniski bojāts instrumenta elektrokabelis, nepieskarieties tam, bet nekavējoties atvienojiet elektrokabeļa kontaktdakšu no barojošā elektrotīkla
- Neizmantojiet instrumentu, ja tam ir bojāts elektrokabelis; tā nomaļņu drikst veikt tikai pieredzējis speciālists
- Lietojiet pilnīgi atļūtos un drošus pagarinātājkabeļus, kas paredzēti 16 A strāvai

UZ INSTRUMENTA ATŢĒLOTO SIMBOLU SKAIDROJUMS

- ③ Pirms izstrādājama lietošanas izlasiet tā lietošanas pamācību
- ④ Divkārsa izolācija (nav jālieto zemējuma vads)
- ⑤ Neizmetiet nolietoto instrumentu sadzīves atkritumu tvērnē

DARBS

- Skavu/naglu ievietošana ⑥
- ! **atvienojiet instrumentu no elektrotīkla**
- apgrieziet instrumentu otrādi
- nospiediet sviru A, vienlaikus velkot atpakaļ bīdni B

- skavu/naglu komplektu ievietojiet aptverē C ar kājiņām uz augšu (maksimālā ietilpība ir 100 skavas/80 naglas)
- virziet bīdni B pret skavotāja galvu D, līdz tas nofiksēts
- ievietojiet naglu komplektu (nav piegādāts kopā ar instrumentu), instruments jānoliec tā, lai naglu komplekts atrastos tajā aptveres pusē, kas atbilst naglas simbolam uz skavotāja galvas D ⑦
- ievietojiet jaunu aptverī C, kad atverē parādās, ka skavu vai naglu komplekts beidzas H ②
- Instrumenta darbināšana ⑧
 - lai ieslēgtu instrumentu, nospiediet ieslēdzēju E stāvoklī "I"
 - stingri spiediet skavotāja galvu D pret detaļu, līdz tā tiek pilnībā iebīdīta
 - uz īsu brīdi nospiediet slēdzi F, tad atlaidiet to
- ! **darba laikā vienmēr turiet instrumentu aiz pelēkās krāsas noturvirsmas(ām)**
- lai izslēgtu instrumentu, nospiediet ieslēdzēju E stāvoklī "O"
- Trieciena vadība ⑨
 - Izmantojot ritenīti G vajadzīgo trieciena līmeni var plūstoši regulēt no minimālās vērtības līdz maksimālai (- / +)
 - "–" plānīem un viegliem materiāliem, piemēram, plēvēm un audumiem
 - "+ " biežiem un izturīgiem materiāliem, piemēram, cietai koksnei un sienām
 - pirms darba uzsākšanas noskaidrojiet optimālo trieciena līmeni, izmēģinot to uz rezerves materiāla


PRAKTISKI PADOMI

- Paneļu stiprināšana ⑩
- Tekstilmateriālu stiprināšana ⑪
- Cietas koksnes piestiprināšanai ar skavām lietojiet īsākas skavas par tām, kas ir piegādātas komplektā ar darbinstrumentu
- Lai samazinātu trieciena radīto nodilšanu, izvairieties no "tukšiem" šāvieniem
- Papildu ieteikumi ir sniegti datortīkla vietnē www.skil.com

APKALPOŠANA / APKOPE

- Šis darbarīks nav paredzēts profesionālai lietošanai
- Uzturiet tīru instrumentu un elektrokabēli (tipaši ventilācijas atveres J ②)
- ! **pirms instrumenta tīrīšanas atvienojiet to no elektrotīkla**
- Ja, neraugoties uz augsto izgatavošanas kvalitāti un rūpīgo pēcražošanas pārbaudi, instruments tomēr sabojājas, tas jānogādā remontam firmas SKIL pilnvarotā elektroinstrumentu remonta darbnīcā
- nogādājiet instrumentu **neizjauktā veidā** kopā ar iegādes dokumentiem tuvākajā tirdzniecības vietā vai firmas SKIL pilnvarotā pēciegādes apkalpošanas un remonta iestādē (adreses un instrumenta apkalpošanas shēma ir sniegta interneta vietnē www.skil.com)

APKĀRTĒJĀS VIDES AIZSARDZĪBA

- **Neizmetiet elektroiekārtas, piederumus un iesaiņojuma materiālus sadzīves atkritumos** (tikai ES valstīm)
- saskaņā ar Eiropas Savienības direktīvu 2012/19/ES par nolietotajām elektriskajām un elektroniskajām iekārtām un tās atspoguļojumiem nacionālajā likumdošanā, nolietotās elektroiekārtas ir jāsavāc, jāizjauca un jānogādā atsevišķai pārstrādei apkārtējai videi nekaitīgā veidā
- īpašs simbols  atgādina par nepieciešamību izstrādājumus utilizēt videi nekaitīgā veidā

TROKSNIS / VIBRĀCIJA


- Saskaņā ar standartu EN 60745 noteiktais instrumenta radītā trokšņa skaņas spiediena līmenis ir 84 dB(A) un skaņas jaudas līmenis ir 95 dB(A) (pie tipiskās izkliedes 3 dB), un vibrācijas paātrinājums ir 7,0 m/s² (vektoru summa trijos virzienos; izklide K = 1,5 m/s²)
 - Vibrācijas līmenis ir noteikts, izmantojot standartā EN 60745 paredzēto procedūru; to var izmantot, lai salīdzinātu instrumentus un provizoriski izvērtētu vibrācijas iedarbību, lietojot instrumentu minētajiem mērķiem
 - instrumenta izmantošana citiem mērķiem vai ar citiem vai nepietiekami koptiem piederumiem var ievērojami **palielināt** kopējo vibrācijas iedarbības pakāpi
 - laika periodi, kad instrumentus ir izslēgts vai arī ir ieslēgts, taču darbs ar to nenotiek, var ievērojami **samazināt** kopējo vibrācijas iedarbības pakāpi
- ! pasargājiet sevi no vibrācijas iedarbības, veicot instrumenta un tā piederumu tehnisko apkopi, novērstot roku atdzīšanu un pareizi organizējot darbu**

LT

Segiklis

8200

ĪVADAS

- Šio ģrankio paskirtis – prie medžio ar panašių į medį medžiagų paviršiaus kabėmis pritvirtinti ir vinimis prikalti kartona, izoliācijas medžiagas, audinius, folijā, odā ir panašias medžiagas
- Šis ģrankis netinka sienu ģ lubų dangai tvirtinti
- Šis ģrankis nesķirtas profesionaliam naudojimui
- Perskaitykite ir išsaugokite šią naudojimo instrukcijā 


TECHNINIAI DUOMENYS

PRIETAISO ELEMENTAI

- A Svvertukas dėklui pakrauti
- B Slankiklis
- C Dėklas
- D Kabių kalimo ģrankio galvutė
- E Įjungimo/išjungimo jungiklis
- F Gaiduko jungiklis
- G Sukamas smūgiavimo reguliatorius
- H Papildomos indikatorius
- J Ventilācijas angos

SAUGA

BENDRIEJI ELEKTRINIŲ ĮRANKIŲ SAUGOS ĮSPĖJIMAI

 **ĮSPĖJIMAS** Perskaitykite visus su šiuo elektriniu ģrankiu pateiktus saugos įspėjimus, instrukcijas, peržiūrėkite iliustrācijas ir specifikācijas. Jei nepaisysite visų žemiau pateiktų instrukcijų, galite patirti elektros smūgių, sukelti gaisrą ir sunkiai susižaloti arba sužaloti kitus asmenis.

Išsaugokite visus perspėjimus ir instrukcijas, kad vėliau galėtumėte pasinaudoti.

Toliau pateiktame tekste vartojama sąvoka “elektrinis ģrankis” apibūdina ģrankius, maitinamus iš elektros tinklo (su maitinimo laidu), ir akumulatorinius ģrankius (be maitinimo laidu).

1) DARBO VIETOS SAUGUMAS

- a) **Darbo vieta turi būti švari ir tvarkinga.** Tinkama ar blogai apšviesta darbo vieta gali tapti nelaimingų atsitikimų priežastimi.
- b) **Nedirbkite tokioje aplinkoje, kur yra degių skysčių, dujų ar dulkių.** Elektriniai ģrankiai gali kibirkščiuoti, o nuo kibirkščių dulkės arba susikaupę garai gali užsidegti.
- c) **Dirbdami su elektriniu ģrankiu neleiskite šalia būti žiūrovams, vaikams ir lankytojams.** Nukreipę dėmesį į kitus asmenis galite nebesuvaldyti prietaiso.

2) ELEKTROSAUGA

- a) **Maitinimo laido kištukas turi atitikti tinklo rozetės tipą.** Kištuko jokiu būdu negalima modifikuoti. **Nenaudokite jokių kištuko adapterių su žemintais prietaisais.** Originalūs kištukai, tiksliai tinkantys elektros tinklo rozetei, sumažina elektros smūgio pavojų.
- b) **Venkite kūno kontakto su žemintais paviršiais, tokiais kaip vamzdžiai, šildytuvai, viryklės ar šaldytuvai.** Egzistuoja padidinta elektros smūgio rizika, jei Jūsų kūnas bus žemintas.
- c) **Saugokite prietaisą nuo lietaus ir drėgmės.** Jei vanduo patenka į elektrinį prietaisą, padidėja elektros smūgio rizika.
- d) **Nenaudokite maitinimo laido ne pagal paskirtį, t. y. neneškite prietaiso paėmę už laido, nekabinkite prietaiso už laido, netraukite už jo, norėdami išjungti kištuką iš rozetės.** Laidą klokite taip, kad jo neveiktų karštis, jis neišsitemptų alyva ir jo nepažeistų aštrios detalės ar judančios prietaiso dalys. Pažeisti arba susipynę laidai gali tapti elektros smūgio priežastimi.
- e) **Jei su elektriniu ģrankiu dirbate lauke, naudokite tik tokius ilginimo kabelius, kurie tinka lauko darbams.** Naudojant lauko darbams pritaikytus ilginimo kabelius, sumažinamas elektros smūgio pavojus.
- f) **Jei su elektriniu ģrankiu neišvengiamai reikia dirbti drėgnoje aplinkoje, naudokite žemiminio grandinės pertraukiklį.** Naudojant žemiminio grandinės pertraukiklį, sumažėja elektros smūgio pavojus.

3) ŽMONIŲ SAUGA

- a) **Būkite atidūs, sutelkite dėmesį į tai, ką Jūs darote ir, dirbdami su elektriniu ģrankiu, vadovaukitės sveiku protu.** Nedirbkite su prietaisu, jei esate pavargę arba vartojote narkotikus, alkoholį ar medikamentus. Akimirksnio neatidumas naudojant prietaisą gali tapti rimtų sužalojimų priežastimi.

- b) **Naudokite asmenines apsaugos priemones ir visuomet užsidėkite apsauginius akinius.** Naudojant asmenines apsaugos priemones, pvz., respiratorių ar apsauginę kaukę, neslystančius batus, apsauginį šalną, klausos apsaugos priemones ir kt., rekomenduojamas dirbant su tam tikros rūšies įrankiais, sumažėja rizika susižeisti.
- c) **Saugokitės, kad neįjungtumėte prietaiso atsitiktinai. Prieš prijungdami elektrinį įrankį prie elektros tinklo ir/arba akumulatoriaus, prieš pakeldami ar nešdami įsitikinkite, kad jis yra išjungtas.** Jeigu nešdami elektrinį įrankį pirštą laikysite ant jungiklio arba prietaisą įjungsite į elektros tinklą, kai jungiklis yra įjungtas, gali įvykti nelaimingas atsitikimas.
- d) **Prieš įjungdami prietaisą pašalinkite reguliavimo įrankius arba veržlių raktus.** Prietaiso besisukančioje dalyje esantis įrankis ar raktas gali tapti sužalojimų priežastimi.
- e) **Nepervertinkite savo galimybių. Dirbdami atsistokite patikimai ir visada išlaikykite pusiausvyrą.** Patikima stovėseną ir tinkamą kūno laikyseną leis geriau kontroliuoti prietaisą netikėtose situacijose.
- f) **Dėvėkite tinkamą aprangą. Nedėvėkite plačių drabužių ir papuošalų. Saugokite plaukus ir drabužius nuo besisukančių elektrinio įrankio dalių.** Laisvus drabužius, papuošalus bei ilgus plaukus gali įtraukti besisukančios dalys.
- g) **Jei yra numatyta galimybė prijungti dulkių nusiurbimo ar surinkimo įrenginius, visada įsitikinkite, ar jie yra prijungti ir ar teisingai naudojami.** Naudojant dulkių nusiurbimo įrenginius sumažėja kenksmingas dulkių poveikis.
- h) **Dažnai naudodami įrankį ir gerai su juo susipažinę pernelyg neatsipalaiduokite ir nepradėkite nepaisyti įrankio saugos principų.** Neatidus veiksmas gali sukelti sunkią traumą per sekundės dalį.
- 4) RŪPESTINGA ELEKTRINIŲ ĮRANKIŲ PRIEŽIŪRA IR NAUDOJIMAS**
- a) **Neperkraukite prietaiso. Naudokite Jūsų darbu tinkamą elektrinį įrankį.** Su tinkamu elektriniu įrankiu Jūs dirbsite geriau ir saugiau, jei neviršysite nurodyto galingumo.
- b) **Nenaudokite elektrinio įrankio su sugedusiu jungikliu.** Elektrinis įrankis, kurio nebegalima įjungti ar išjungti, yra pavojingas ir jį reikia remontuoti.
- c) **Prieš reguliuodami prietaisą, keisdami darbo įrankius ar prieš valydami prietaisą, iš elektros tinklo lizdo ištraukite kištuką ir/arba išimkite akumuliatorių, jeigu jis išimamas.** Ši saugumo priemonė apsaugos jus nuo netikėto prietaiso įsijungimo.
- d) **Nenaudojamą prietaisą sandėliuokite vaikams ir nemokantiems juo naudotis asmenims neprieinamoje vietoje.** Elektriniai įrankiai yra pavojingi, kai juos naudoja nepatyrę asmenys.
- e) **Pržiūrėkite elektrinį įrankį ir priedus. Tikrinkite, ar besisukančios prietaiso dalys tinkamai veikia ir niekur nekliūva, ar nėra sulūžusių ar šiaip pažeistų dalių, kurios įtakotų prietaiso veikimą.** Prieš vėl naudojant prietaisą pažeistos prietaiso dalys turi būti suremontuotos. Daugelio nelaimingų atsitikimų priežastis yra blogai pržiūrimi elektriniai įrankiai.

- f) **Pjovimo įrankiai turi būti aštrūs ir švarūs.** Rūpestingai pržiūrėti pjovimo įrankiai su aštriomis pjaunamoms medžiagoms briaunomis mažiau stringa ir juos yra lengviau valdyti.
- g) **Elektrinį įrankį, papildomą įrangą, darbo įrankius ir t. t. naudokite taip, kaip nurodyta šioje instrukcijoje. Taip pat atsižvelkite į darbo sąlygas bei atliekamo darbo pobūdį.** Naudojant elektrinius įrankius ne pagal jų paskirtį galima sukelti pavojingas situacijas.
- h) **Rankenos ir suėmimo paviršiai turi būti sausi, švarūs, ant jų neturi būti alyvos ir tepalų.** Dėl slidžių rankenų ir suėmimo paviršių negalėsite saugiai išlaikyti ir suvaldyti įrankio netikėtose situacijose.
- 5) APTARNAVIMAS**
- a) **Prietaisą turi remontuoti tik kvalifikuotas specialistas ir naudoti tik originalias atsargines dalis.** Taip galima garantuoti, jog prietaisas išliks saugus.

SAUGOS NUORODOS DIRBANTIEMS SU KALIMO PRIETAISAI

- **Visada turėkite omenyje, kad įrankyje gali būti sąsagėlių** (neatsargiai elgiantis su kalimo prietaisu, gali netikėtai iššauti sąsagėlė ir jus sužaloti)
- **Nenukreipkite įrankio į save ar netoli esančius žmones** (netikėtai įjungus, iššauka sąsagėlė, galinti sužaloti)
- **Nespauskite įrankio jungiklio, kol tvirtai neįrėmėte įrankio į ruošinį** (jei įrankis nėra prisilietęs prie ruošinio, sąsagėlė nuo tvirtinimo vietos gali atšokti)
- **Jei sąsagėlė užstrigo įrankyje, įrankį atjunkite nuo tinklo ar akumulatoriaus** (jei kalimo prietaisas yra prijungtas, šalinant užstrigusią sąsagėlę gali būti netikėtai paspaudžiamas prietaiso jungiklis)
- **Būkite atsargūs šalindami įstrigusią sąsagėlę** (sistemoje gali būti įtempis ir, jums bandant pašalinti kliūtį, sąsagėlė gali būti su didele energija iššaukama)
- **Šio kalimo prietaiso nenaudokite elektros laidams tvirtinti** (jis nėra skirtas elektros laidų instaliacijai, gali pažeisti elektros laidų izoliaciją ir sukelti elektros smūgį bei gaisrą)
- **Saugiai laikykite tvirtinamą dirbinį** (dirbinį, kuris segamas ar kalamas kabių kalimo įrankiais, saugiau laikyti spaustuvu nei ranka)
- **Šis prietaisas nėra skirtas naudoti vaikams ir asmenims, kurie turi menkus fizinius, jutimų ar psichikos sugebėjimus arba kurie stokoja patirties ir žinių**
- Pasirūpinkite, kad vaikai nežaistų su prietaisu
- SKIL gali garantuoti neprikaištingą prietaiso veikimą tik tuo atveju, jei naudojama originali papildoma įranga ir priedai
- Visada patikrinkite, ar elektros tinklo įtampa sutampa su įtamos dydžiu, nurodytu prietaiso vardinėje lentelėje
- Saugokite, kad nepažeistumėte prietaiso į ruošinyje esančius varžtus, vinis ir pan; prieš pradėdami darbą juos pašalinkite
- Atsiradus mechaninio ar elektrinio pobūdžio trūkđiams, tuojau pat išjunkite prietaisą ir ištraukite kištuką iš elektros tinklo lizdo
- Jei dirbant bus pažeistas ar nutrauktas kabelis, būtina noliečiant kabelio tuojau pat ištraukti kištuką iš elektros tinklo lizdo

- Prietaisą su pažeistu kabeliu naudoti draudžiama; jį turi pakeisti kvalifikuotas elektrikas
- Naudodami ilginamuosius kabelius atkreipkite dėmesį į tai, kad kabelis būtų iki galo išvyniotas ir būtų pritaikytas 16 A elektros srovei

ANT PRIETAISO ESANČIŲ SIMBOLIŲ REIKŠMĖS

- ③ Prieš naudodami įrankį perskaitykite instrukcijų vadovą
- ④ Dviguba izoliacija (įžeminimo laido nereikia)
- ⑤ Nemeskite prietaisą į buitinių atliekų konteinerius

NAUDOJIMAS

- Kabių/vinių pakrovimas ⑥
 - ! **ištraukite kištuką iš elektros lizdo**
 - apverskite prietaisą
 - paspauskite svertuką A tuo pat metu atitraukdami atgal slankiklį B
 - įdėkite į dėklą kabių/vinių juostelę C kojelėmis aukščiau (telpa daugiausiai 100 kabių/80 vinių)
 - stumkite slankiklį B kabių kalimo įrankio galvutės D link, kol jie abu sukibs
 - dėdami vinių juostelę (nepriedama prie įrankio) laikykite įrankį taip, kad vinių juostelė atsidurtų tame dėklo šone, kuris atitinka vinies ženklą ant kabių kalimo įrankio galvutės D ⑦
 - angoje H ② pasirodžius kabių arba vinių juostelės galui į dėklą C įdėkite naują juostelę
- Prietaiso naudojimas ⑧
 - prietaisas yra įjungiamas perstatant jungiklį E į padėtį “I”
 - tvirtai prispauskite kabių kalimo įrankio galvutę D prie tvirtinamo dirbinio, kol ji iki galo įsispaus
 - trumpam paspauskite jungiklį F po to vėl atleiskite
 - ! **dirbdami laikykite prietaisą už pilkos spalvos suėmimo vietos(-ų)**
 - prietaisas yra išjungiamas perstatant jungiklį E į padėtį “O”
- Smūgių reguliavimas ⑨
 - Sukamu reguliatoriumi G palapsniui galima parinkti reikiamą smūgiavimo lygį nuo mažiausio iki didžiausio (- / +)
 - “-” lygis skirtas plonomis bei lengvoms medžiagoms, tokioms kaip folija ir audiniai
 - “+” lygis skirtas storoms bei sunkioms medžiagoms, tokioms kaip kieta mediena ir sienos
 - prieš pradėdami darbą parinkite optimalų smūgiavimo lygį, bandydami ant atsarginio medžiagos gabalo

NAUDOJIMO PATARIMAI

- Plokščių tvirtinimas ⑩
- Audinių tvirtinimas ⑪
- Dirbdami su kieta mediena naudokite trumpesnes kabes nei pateikiamos su įrankiu
- Venkite tuščiai kalti, kad audinys mažiau nusidėvėtų dėl smūgių
- Daugiau patarimų rasite internete www.skil.com

PRIEŽIŪRA / SERVISAS

- Šis įrankis neskirtas profesionaliam naudojimui
- Periodiškai valykite prietaisą ir kabelį (ypač ventiliacines angas J ②)
- ! **prieš valydami ištraukite kištuką iš elektros tinklo lizdo**

- Jeigu prietaisas, nepaisant gamykloje atliekamo kruopštaus gamybos ir kontrolės proceso, vis dėlto sugestų, jo remontas turi būti atliekamas įgaliotose SKIL elektrinių įrankių remonto dirbtuvėse
- **neišardytą** prietaisą kartu su pirkimo čekiu siuškite tiekėjui arba į artimiausią SKIL firmos įgaliotą elektros prietaisų techninio aptarnavimo tarnybą (adresus bei atsarginių dalių brėžinius rasite www.skil.com)

APLINKOSAUGA

- **Nemeskite elektrinių įrankių, papildomos įrangos ir pakuočių į buitinių atliekų konteinerius** (galioja tik ES valstybėms)
 - pagal ES Direktyvą 2012/19/EG dėl naudotų elektrinių ir elektroninių prietaisų atliekų utilizavimo ir pagal vietinius valstybės įstatymus atitarnavę elektriniai įrankiai turi būti surenkami atskirai ir gabenami į antrinių žaliavų tvarkymo vietas, kur jie turi būti sunaikinami ar perdirbami aplinkai nekenksmingu būdu
 - apie tai primins simbolis ⑤, kai reikės išmesti atitarnavusį prietaisą

TRIUKŠMINGUMAS / VIBRACIJA

- Šio prietaiso triukšmingumas buvo išmatuotas pagal EN 60745 reikalavimus; keliamo triukšmo garso slėgio lygis siekia 84 dB(A) ir akustinio galingumo lygis 95 dB(A) (standartinis nuokrypis: 3 dB), ir vibracijos 7,0 m/s² (trijų krypčių atstojamasis vektorius; paklaida K = 1,5 m/s²)
- Vibracijos sklaidos lygis išmatuotas pagal standarte EN 60745 išdėstytus standartizuoto bandymo reikalavimus; ši vertė gali būti naudojama vienam įrankiui palyginti su kitu bei išankstiniam vibracijos poveikiui įvertinti, kai įrankis naudojamas paminėtais būdais
 - naudojant įrankį kitokiais būdais arba su kitokiais bei netinkamai prižiūrimais priedais, gali žymiai **padidėti** poveikio lygis
 - laikotarpiams, kai įrankis išjungtas arba yra įjungtas, tačiau juo nedirbama, gali žymiai **sumažėti** poveikio lygis
- ! **apsisaugokite nuo vibracijos poveikio prižiūrėdami įrankį ir jo priedus, laikydami rankas šiltai ir derindami darbo ciklus su pertraukėlėmis**

MK

Хефталка

8200

УПАТСТВО

- Овој алат е наменет за хефтање и забивање шајки во картон, материјал за изолација, текстил, фолија, кожа и слични материјали на површина од дрво или материјали слични на дрво
- Овој алат не е наменет за прикачување на сид или на панели на плафонот
- Овој алат не е наменет за професионална употреба
- Внимателно прочитајте го и зачувајте го ова упатство за ракување ③

ТЕХНИЧКИ ПОДАТОЦИ ①

ЕЛЕМЕНТИ НА АЛАТОТ ②

- A Рачка за полнење на магацинот
- B Лизгач
- C Магацин
- D Глава на хефталката
- E Прекинувач за вклучување/исклучување
- F Прекинувач за активирање
- G Тркало за избор на контролата врз ударот
- H Индикатор за повторно полнење
- J Отвори за вентилација

БЕЗБЕДНОСТ

ОПШТИ ПРЕДУПРЕДУВАЊА ЗА БЕЗБЕДНОСТ НА ЕЛЕКТРИЧНИТЕ АЛАТИ

⚠ ПРЕДУПРЕДУВАЊЕ Прочитајте ги сите безбедносни предупредувања, илустрации и спецификации дадени со овој електричен алат. Грешките настанати како резултат на непридржување до сите инструкции дадени подолу може да предизвикаат електричен удар, пожар и/или тешки повреди.

Чувајте ги сите предупредувања и упатства за понатамошно упатување.

Поимот “електричен алат”, кој се користи во понатамошниот текст, се однесува на вашиот електричен алат (со приклучен кабел) и на електрични алати со погон на батерии (без приклучен кабел).

1) БЕЗБЕДНОСТ НА РАБОТНОТО МЕСТО

- a) **Одржувајте го вашето работно место чисто и уредно.** Неуреден или темен работен простор може да предизвикаат незгоди.
- b) **Немојте да работите со уредот во средина во која има опасност од експлозија, во која има запалливи течности, гасови и прашина.** Електричните алати произведуваат искри кои можат да запалат прашина или параа.
- c) **За време на употребата на електричниот алат, децата и останатите лица држете ги подалену од местото на работите.** Одржување, би можеле да изгубите контрола врз уредот.

2) ЕЛЕКТРИЧНА СИГУРНОСТ

- a) **Утинач мора да одговара на приклучокот. Никане не смее да се прават измени на штекерот. Не користете адаптерски штекер заедно со уредот кој е заштитно заземјен.** Не променети штекери и соодветни приклучоци го намалуваат ризикот од електричен удар.
- b) **Избегнувајте допир на телото со заземјени површини, како што се цевки, радијатори, рерни и фрижидери.** Постои зголемена опасност од струен удар, доколку Вашето тело е заземјено.
- c) **Чувајте го уредот подалену од дожд и влага.** Продирањето на вода во електричниот уред ја зголемува опасноста од струен удар.

- d) **Не злоупотребувајте го приклучниот кабел за носење, бeseње на уредот или за извлекување на штекерот од мрежниот приклучок.** Чувајте го кабелот подалену од топлина, масло, остри рабови или деловите на апаратот кои се движат. Оштетени или заплеткани кабли ја зголемуваат опасноста од струен удар.
- e) **Кога го употребувате полначот надвор, користете продолжен кабел кој е соодветен за употреба на отворен простор.** Примената на продолжен кабел соодветен за работа на отворен простор ја намалува опасноста од струен удар.
- f) **Доколку не може да се избегне работа со електричниот алат во влажна средина, користете прекинувач за струјна заштита при технички проблеми.** Употребата на прекинувачот за струјна заштита при технички проблеми го намалува ризикот од електричен удар.

3) БЕЗБЕДНОСТ НА ЛУЃЕ

- a) **Бидете внимателни, внимавајте што правите и постапувајте внимателно додека работите со електричниот алат. Не работете со уредот доколку сте уморни или под дејство на дрога, алкохол или лекови.** Еден момент на невнимание при употребата може да доведе до сериозни повреди.
- b) **Носете ја личната заштитна опрема и секогаш носете заштитни очила.** Носењето на личната заштитна опрема, како што е маската за прашина, безбедносната облека која не се лизга, заштитен шлем или штитник за слух, зависно од видот и примената на електричниот алат, ја намалува опасноста од повреда.
- c) **Избегнувајте невнимателно вклучување за време на работата. Осигурајте се прекинувачот да биде во “OFF” позиција пред да го ставите штекерот во приклучокот.** Доколку го носите електричниот алат со прстот на прекинувачот или го приклучувате апаратот кој е приклучен со напојување на струја, може да предизвикате незгоди.
- d) **Пред вклучување на уредот, тргнете ги алатите за подесување или клучот за навртување.** Алатот или клучот кој се наоѓа во вртливиот дел на уредот, може да предизвика незгода.
- e) **Не ги преценувајте своите способности. Завземете сигурен и стабилен став и во секој момент одржувајте рамнотежа.** На тој начин можете подобро да го контролирате уредот во неочекувани ситуации.
- f) **Носете соодветна облека. Не носете широка облека или накит. Косата и алиштата треба да бидат подалену од подвижните делови.** Широката облека, накитот или долгата коса може да се закачат за подвижните делови.
- g) **Доколку може да се монтираат направи за вшмукување и фаѓање прашина, проверете дали се вклучени и дали можат исправно да се користат.** Примената на овие направи ја намалува опасноста од пращината.
- h) **Не дозволувајте искусството стеннато со честа употреба на алатите да ве направи спонојни и да ги игнорирате безбедносните принципи при**

неговото користење. Невнимателно движење може да предизвика сериозни повреди во дел од секунда.

4) ВНИМАТЕЛНА УПОТРЕБА И РАКУВАЊЕ СО ЕЛЕКТРИЧНИТЕ АЛАТИ

- a) **Не го преоперетувајте уредот. При вашата работа користете го предвидениот електричен алат за таа употреба.** Со соодветниот електричен алат ќе работите подобро и посигурно во наведената функционална област.
 - b) **Не користете електричен алат чиј прекинувач е неисправен.** Електричниот алат кој повеќе не може да се вклучува и исклучува е опасен и мора да се поправи.
 - c) **Исклучете го електричниот алат од струја и/или извадете го комплетот со батерии, ако се одделува, пред да правите неканви прилагодувања, менувате дополнителна опрема или да го складирате електричниот алат.** Со овие мерки на внимателност ќе се избегне невнимателното вклучување на уредот.
 - d) **Тргнете го електричниот алат кој не го користите од допирот на децата. Не допуштајте работа со уредот на лица кои не се запознаени со него или кои го немаат прочитано ова упатство.** Електричните алати се опасни доколку со нив работат неискусни лица.
 - e) **Одржувајте го електричниот алат и дополнителната опрема. Имајте контрола околу тоа дали движечките делови на уредот работат беспрекорно и дали не се заглавени, дали деловите се скршени или оштетени до таа мерка што не може да се обезбеди функционирање на уредот. Пред примената, овие оштетени делови треба да се поправат.** Причина за многу незгоди е лошо одржувањето на електричниот алат.
 - f) **Алатите за сечење одржувајте ги остри и чисти.** Внимателно одржувањето на алатите за сечење со остри отчрпи помалку ќе се заглавуваат и со нив работата ќе биде полесна.
 - g) **Електричниот алат, прибор, работни алати итн., треба да ги користите според овие упатства, и на начин кој е опишан за соодветниот тип на уред. При тоа, земете ги предвид работните услови и работата која се извршува.** Употребата на електричните алати за други цели кои не се предвидени, може да предизвика опасни ситуации.
 - h) **Рачните и површините за држење одржувајте ги суви, чисти и неизмастени.** Рачките и површините за држење што се лизгаат не овозможуваат безбедно ракување и контрола на алатот во неочекувани ситуации.
- #### 5) СЕРВИСИРАЊЕ
- a) **Електричниот алат сервисирајте го нај квалификувано лице кое користи само идентични резервни делови.** Со ова се обезбедува безбедно одржување на електричниот алат.

БЕЗБЕДНОСНО УПАТСТВО ЗА ХЕФТАЛКИТЕ

- **Секогаш имајте предвид дека алатот има иглички (невнимателната работа со хефталката**

може да доведе до неочекувано испукување на игличките и лична повреда)

- **Не насочувајте го алатот кон себе или кон други лица во непосредна околина** (неочекуван притисок може да исфрли игличка со што ќе се предизвика повреда)
 - **Не користете го алатот освен ако не е поставен цврсто врз парчето за работа** (ако алатот нема контакт со парчето за работа, игличката може да одлети од наменетата цел)
 - **Исклучете го алатот од извор на напојување кога ќе се заглават игличките во него** (при отстранување на заглавени иглички, хефталката може случајно да се активира ако е вклучена)
 - **Внимавајте при отстранување на заглавена игличка** (механизмот може да биде под притисок и насилно да исфрли игличка додека се обидуваат да ги ослободите заглавените иглички)
 - **Не користете ја оваа хефталка за прицврстување електрични кабли** (не е наменета за инсталација на електрични кабли и може да ја оштети инсталацијата на каблите со што може да се предизвика електричен удар или опасност од пожар)
 - **Зацврстете го материјалот кој го обработувате** (обработка која е зацврстена со стегач или во менгема е побезбедна отколку да ја држите со раце)
 - **Овој алат не е наменет за употреба од страна на деца и лица со намалени физички, сензорски или ментални способности или со помало искуство и знаење**
 - Обезбедете децата да не си играат со алатот
 - SKIL може да признае гаранција само доколку е користен оригинален прибор
 - Секогаш проверувајте напонот да е ист со оној кој е назначен на плочката на алатот
 - Избегнувајте оштетувања од штрафови, шајки и други предмети во местото каде работите; тргнете ги пред да почнете со работа
 - Во случај да дојде до електричен или механички дефект, веднаш исклучете го алатот и исклучете го од приклучокот
 - Ако кабелот се оштети или пресече за време на работата, веднаш исклучете го и не го допирајте
 - Никогаш не користете алат ако кабелот е оштетен; замената на кабелот мора да ја изврши стручно лице
 - Продолжениот кабел кој го користите, мора да биде ососема одмотан и безбеден, со капацитет од 16 А
- #### ОБЈАСНУВАЊЕ ЗА СИМБОЛИТЕ ЗА АЛАТОТ
- ③ Пред употреба прочитајте го прирачникот за употреба
 - ④ Двојна изоација (не е потребна заземна жица)
 - ⑤ Не фрлајте го алатот заедно со другиот отпад од домаќинството

УПОТРЕБА

- Ставање иглички/шајки ⑥
 - ! **извлечете го приклучокот ако кабелот**
 - свртете го алатот наопаку
 - притиснете ја рачката А влечејќи го лизгачот В назад

- вметнете ја лентата со иглички/шајки во магацинот С со краевите свртени нагоре (максималниот капацитет е 100 иглички/80 шајки)
- притискајте го лизгачот В кон главата на хефталката D додека не се заклучи
- кога ќе вметнувате лента со шајки (не се доставува со алатот), закосете го алатот на тој начин лентата со шајки да се положи врз страната на магацинот каде е симболот за шајки на главата на хефталката D ⑦
- наполнете го магацинот повторно С кога во отворот ќе се појави крајот на лентата со иглички или шајки Н ②
- Работа со алатот ⑧
 - вклучете го алатот со притискање на прекинувачот Е во позициите „I“
 - цврсто притиснете ја главата на хефталката D врз парчето за работа за да се положи комплетно
 - накусо притиснете го прекинувачот F и потоа пуштете го
- ! **додена работите, сеногаш држете го алатот за местото (местата) кое (кои) се означени со сива боја**
- исклучете го алатот со притискање на прекинувачот Е во позициите „O“
- Контрола врз ударот ⑨
 - Со тркалцето G прилагодувајте го потребното ниво за удар без прекини од минимум кон максимум (- / +)
 - „-“ за тенки и лесни материјали како што се фолија или ткаенина
 - „+“ за дебели и цврсти материјали како што се цврсто дрво или сид
 - пред да започнете со работа, најдете го најсоодветното ниво за удар со проверка на резервен материјал

СОВЕТИ ЗА ПРИМЕНА

- Панели за прицврстување ⑩
- Фиксирање текстил ⑪
- Ако сакате да хефтате цврсто дрво, користете пократки иглички од оние што се доставуваат со алатот
- Избегнувајте пукање на празно за да го намалите ослабувањето на ударот
- Многу други совети можете да најдете на www.skil.com

ОДРЖУВАЊЕ/СЕРВИСИРАЊЕ

- Овој алат не е наменет за професионална употреба
- Алатот и кабелот секогаш да се одржуваат чисти (особено отворите за ладење J ②)
- ! **пред чистење извадете го алатот од приклучочот**
- Доколку алатот и покрај внимателното работење и контрола некогаш откаже, поправката мора да ја изврши некој овластен SKIL сервис за електрични алати
 - во случај на примедба, испратете го алатот **нерасклопен**, заедно со сметкопотврдата, до вашиот продавач или најблискиот SKIL сервис (адресите се наведени на www.skil.com)

ЗАШТИТА НА ЖИВОТНАТА СРЕДИНА

- **Не се ослободувајте од електрични алати, уреди или амбалажа преку нивно фрлање во домашното ѓубре** (само за земјите на ЕУ)
 - според Европската Директива 2012/19/ЕС за ослободување од електрична и електронска опрема и нејзина имплементација во согласност со националните закони, електричните алати кои го достигнале крајот на својот животен век мора да бидат собрани посебно и да бидат вратени во соодветен објект за рециклирање
 - симболот ⑤ ќе ве потсетува на ова кога ќе дојде време алатот да го фрлите

БУЧАВА / ВИБРАЦИИ

- Мерено во согласност со EN 60745 нивото на звучен притисок е 84 dB(A) а нивото на звучна моќност 95 dB(A) (стандардно отстапување: 3 dB), и вибрација 7,0 m/c² (векторски збир на трите показатели; несигурност K = 1.5 m/c²)
- Нивото на емитурање на вибрации кое е наведено на задниот дел на ова упатство е измерено во согласност со стандардизираниот тест даден во EN 60745; може да се користи за да се спореди еден алат со друг, и како првична оценка за изложеноста на вибрации кога се користи алатот за споменатите примени
 - користењето на алатот за разни примени, или со различни или неправилно чувани делови, може да доведе до значајно **зголемување** на нивото на изложеност
 - кога алатот е исклучен или кога алатот е вклучен но не врши некаква работа, може да дојде до значително **намалување** на нивото а изложеност
- ! **заштитете се од ефектите на вибрациите преку одржување на алатот и неговите делови, одржување на топлината во вашите раце, и организирање на вашата работа**

AL

Kapëse tapicerie

8200

HYRJE

- Kjo pajisje është e projektuar për kapjen me tela dhe gozhdë të kartonit, materialeve izoluese, pëlhurave, fletëve, lëkurës dhe materiale të ngjashme mbi sipërfaqe prej druri ose materiale të ngjashme me drurin
- Kjo pajisje nuk është e përshtatshme për kapje në panele në mur dhe në tavani
- Kjo vegël nuk është e projektuar për përdorim profesional
- Lexoni dhe ruani këtë manual të përdorimit ③

TË DHËNAT TEKNIKE ①

ELEMENTET E VEGËL ²

- A Leva për vendosjen e kapëseve
- B Rrëshqitësi
- C Mbajtësja
- D Koka e kapëses
- E Çelësi i ndezjes/fikjes
- F Çelësi i aktivizimit
- G Rrota e zgjedhjes së kontrollit të goditjes
- H Treguesi i ngarkimit
- J Të çarat e ajrosjes

SIGURIA

PARALAJMËRIME TË PËRGJITHSHME TË SIGURISË PËR PAJISJET ELEKTRIKE

PARALAJMËRIM Lexoni të gjitha paralajmërimet e sigurisë, udhëzimet, ilustrimet dhe specifikimet e paraqitura me këtë vegël pune. Mosrespektimi i të gjitha udhëzimeve të renditura më poshtë mund të rezultojë në goditje elektrike, zjarr dhe/ose dëmtime të rënda.

Ruani të gjitha paralajmërimet dhe udhëzimet për referencë në të ardhmen.

Termi "pajisje elektrike" në paralajmërimi i referohet pajisjes elektrike që përdoret nga priza (me kablo) ose pajisjes elektrike me bateri (pa kablo).

1) SIGURIA E ZONËS SË PUNËS

- a) **Mbajeni zonën e punës të pastër dhe të ndriçuar mirë.** Zonat e çrregullta ose të errëta janë një ftesë për aksidente.
- b) **Mos i përdorni pajisjet elektrike në situata me mundësi shpërthimi, si në prani të lëngjeve, gazeve ose pluhurave të djegshëm.** Pajisjet elektrike shkaktojnë shkëndija që mund të ndezin pluhurat ose avujt.
- c) **Mbajini fëmijët dhe personat e tjerë larg gjatë përdorimit të veglës së punës.** Tërheqja e vëmendjes mund të shkaktojë humbjen e kontrollit.

2) SIGURIA ELEKTRIKE

- a) **Spinat e veglës së punës duhet të përputhen me prizën. Mos modifikoni kurrë spinën në asnjë mënyrë. Mos përdorni asnjë spinë përshtatëse me veglat e punës me tokëzim.** Spinat e pamodifikuara dhe prizat përshtatëse do të zvogëlojnë rrezikun e goditjes elektrike.
- b) **Shmangni kontaktin trupor me sipërfaqe të tokëzuara si tuba, radiatorë, soba dhe frigoriferë.** Ka një rrezik më të madh të goditjeve elektrike nëse trupi është i tokëzuar.
- c) **Mos ekspozoni veglat e punës në shi ose në kushte me lagështi.** Uji që hyn në veglën e punës do të rritë rrezikun e goditjes elektrike.
- d) **Mos abuzoni me kordonin. Mos e përdorni kurrë kordonin për transportin, tërheqjen ose heqjen e spinës së veglës së punës. Mbajeni kordonin larg nga nxehtësia, vaji, anët e mprehta ose pjesët që lëvizin.** Kordonët e dëmtuar ose e bllokuar rrisin rrezikun e goditjes elektrike.

- e) **Kur përdorni një vegël pune në mjedise të jashtme, përdorni një kordon zgjatues të përshtatshëm për përdorim në mjedise të jashtme.** Përdorimi i një kordoni të përshtatshëm për përdorime në mjedise të jashtme zvogëlon rrezikun e goditjes elektrike.
- f) **Nëse përdorimi i veglës së punës në një vend me lagështi është i pashmangshëm, përdorni një automat qarku me shkarkesë me tokëzim.** Përdorimi i një automati me shkarkesë me tokëzim zvogëlon rrezikun e goditjes elektrike.

3) SIGURIA PERSONALE

- a) **Qëndroni në gatishmëri, shikoni se çfarë po bëni dhe përdorni gjykimin kur përdorni një vegël pune. Mos e përdorni një vegël pune kur jeni i lodhur ose nën ndikimin e ilaçeve, alkoolit ose mjekimit.** Një moment humbje e vëmendjes gjatë përdorimit të veglave të punës mund të shkaktojë dëmtime të rënda personale.
 - b) **Përdorni pajisje personale mbrojtëse. Mbani gjithmonë pajisje për mbrojtjen e syve.** Pajisjet mbrojtëse si maska kundër pluhurit, këpucët që nuk rrëshqasin, kaskat ose pajisjet për mbrojtjen e veshëve për kushtet përkatëse do të zvogëlojnë dëmtimet personale.
 - c) **Parandaloni ndezjen e rastësishtme. Sigurohuni që çelësi është në pozicionin fikur para se të lidhni burimin e energjisë dhe/ose baterinë, para se të merrni ose të transportoni pajisjen.** Transportimi i veglave të punës me gishtin në çelës ose aktivizimi i veglave të punës që kanë çelësin të ndezur është një ftesë për aksidente.
 - d) **Hiqni çdo çelës ose çelës përshtatës para ndezjes së veglës së punës.** Një çelës i lënë i lidhur me një pjesë rrotulluese të veglës së punës mund të shkaktojë dëmtime personale.
 - e) **Mos u zgjasni. Mbani një vendosje të mirë të këmbëve dhe një ekuilibër të mirë në çdo moment.** Kjo gjë bën të mundur një kontroll më të mirë të veglës së punës në situata të papritura.
 - f) **Vishuni në mënyrën e duhur. Mos vishni veshje të gjera ose bizhuteri. Mbani flokët, veshjet dhe dorashkat larg nga pjesët lëvizëse.** Veshjet e gjera, bizhuteritë ose flokët e gjatë mund të kapen nga pjesët në lëvizje.
 - g) **Nëse janë ofruar pajisje për lidhjen e pajisjeve të mbledhjes dhe nxjerrjes së pluhurave, sigurohuni që ato të jenë të lidhura dhe të përdoren si duhet.** Përdorimi i mbledhjes së pluhurave mund të zvogëlojë rreziqet në lidhje me pluhurat.
 - h) **Mos lejoni që familjarizimi i fituar nga përdorimi i shpeshtë i veglave t'ju lejojë të tregoheni të vetëkënaqur dhe të shpërfillni parimet e sigurisë për pajisjet.** Një veprim i pakujdesshëm mund të shkaktojë dëmtime të rënda në më pak se një sekondë.
- #### 4) PËRDORIMI DHE KUJDESI PËR VEGLËN E PUNËS
- a) **Mos ushtroni forcë mbi veglën e punës. Përdorni veglën e punës të duhur për përdorimin tuaj.** Vegla e punës e duhur do të realizojë një punë më të mirë dhe më të sigurt dhe me shpejtësinë që ajo është e projektuar.
 - b) **Mos përdorni veglën e punës nëse çelësi nuk e ndez apo e fik.** Çdo vegël pune që nuk mund të kontrollohet me anë të çelësit është e rrezikshme dhe duhet të riparohet.

- c) **Shkëputni spinën nga burimi i energjisë dhe/ose baterinë nga vegla e punës para se të bëni rregullime të tjera, të ndryshoni aksesorët ose të ruani veglat e punës.** Këto masa parandaluese të sigurisë ulin rrezikun e ndezjes aksidentale të veglës së punës.
- d) **Mbani veglat e punës larg fëmijëve dhe mos lejoni personat e pamësuar me veglën e punës ose këto udhëzime për përdorimin e pajisjes.** Veglat e punës janë të rrezikshme në duart e përdoruesve të patrajnuar.
- e) **Mirëmbani veglat e punës. Kontrolloni për mospërshtatje ose bllokim të pjesëve lëvizëse, thyerje të pjesëve dhe gjendje të tjera që mund të ndikojnë në funksionimin e veglës së punës. Nëse dëmtohet, riparojeni veglën e punës para përdorimit.** Shumë aksidente shkaktohen nga veglat e punës jo të mirëmbajtura si duhet.
- f) **Mbajini pajisjet prerëse të pastra dhe të mprehta.** Pajisjet e prerjes të mirëmbajtura dhe me anë të mprehta kanë më pak mundësi për t'u bllokuar dhe janë më të lehta për t'u kontrolluar.
- g) **Përdorni veglat e punës, aksesorët dhe puntot, etj. në përputhje me këto udhëzime, duke marrë parasysh kushtet e punës dhe punën që do të kryhet.** Përdorimi i veglave për përdorime të ndryshme nga ato të përcaktuara mund të shkaktojë rreziqe.
- h) **Mbajini dorezat dhe sipërfaqet ku mbaheni të thata, të pastra dhe pa vajra ose graso.** Dorezat dhe sipërfaqet ku mbaheni, kur janë të rrëshqitshme, nuk ju lejojnë ta menaxhoni dhe ta kontrolloni në mënyrë të sigurt pajisjen në situata të papritura.

5) SHËRBIMI

- a) **Shërbimi i veglës së punës duhet të kryhet nga një person i kualifikuar për riparimet duke përdorur vetëm pjesë ndërrimi identike.** Kjo gjë do të sigurojë ruajtjen e sigurisë së veglave të punës.

UDHËZIMET E SIGURISË PËR KAPËSET E TAPICERISË

- **Kini parasysh gjithmonë se pajisja ka kapëse** (manovrimi pa kujdes i kapëses së tapicerisë mund të shkaktojë lëshimin e papritur të kapëseve dhe dëmtime personale)
- **Mos e drejtoni pajisjen nga vetja apo drejt dikujt pranë jush** (aktivizimi i papritur do të lëshojë kapësen duke shkaktuar lëndime)
- **Mos e përdorni pajisjen nëse nuk e keni vendosur fort mbi materialin e punës** (nëse pajisja nuk është në kontakt me materialin e punës, kapësja mund të shmanget dhe të largohet nga objektivi)
- **Hiqeni pajisjen nga burimi i energjisë kur kapëset brenda në pajisje ngecin** (kur hiqni një kapëse të bllokuar, pajisja mund të aktivizohet aksidentalisht nëse është e vënë në prizë)
- **Tregoni kujdes kur lironi një kapëse të bllokuar** (mekanizmi mund të jetë i shtypur dhe kapësja mund të dalë me forcë kur përpiqeni që lironi kapëset e bllokuara)
- **Mos e përdorni këtë kapëse tapicerie për kapjen e kabllove elektrike** (ajo nuk është e projektuar për montimin e kabllove elektrike dhe mund të dëmtojë pjesën izoluese të kabllove elektrike duke shkaktuar goditje elektrike ose rreziqe për zjarr)
- **Siguroini materialin e punës** (një material i shtrënguar me një pajisje shtrëngimi ose morsië mbahet në mënyrë më të sigurt se sa me dorë)

- **Kjo vegël nuk është projektuar për t'u përdorur nga fëmijët dhe personat me kapacitete të zvogëluara fizike, ndijore ose mendore, ose me mungesë të përvojës dhe njohurive**

- Sigurohuni që fëmijët të mos luajnë me pajisjen
- SKIL mund të garantojë funksionimin pa probleme të veglës vetëm kur përdoren aksesorët origjinalë
- Kontrolloni gjithmonë që voltazhi i energjisë është i njëjtë me voltazhin e treguar në etiketën e veglës
- Shmangni dëmtimet që mund të shkaktohen nga vidat, gozhdët dhe elementet e tjera në materialin e punës; hiqni ato para se të filloni punën
- Në rast të një defekti elektrik ose mekanik, fikni menjëherë pajisjen dhe hiqni spinën
- Nëse kordoni dëmtohet ose pritet gjatë punës, mos e prekni kordonin por hiqni menjëherë spinën
- Mos e përdorni kurrë veglën kur kordoni është i dëmtuar; zëvendësojeni nga një person i kualifikuar
- Përdorni kordonë të pahapur dhe të sigurt për zjarratime, me një kapacitet 16 amper

SHPJEGIMI I SIMBOLEVE NË VEGËL

- ③ Lexoni manualin e udhëzimeve para përdorimit
- ④ Izolim i dyfishtë (nuk kërkohet tokëzim)
- ⑤ Mos e hidhni veglën bashkë me materialet e mbetjeve familjare

PËRDORIMI

- Ngarkimi i telave/gozhdëve ⑥
- ! **hiqeni spinën**
 - kthejeni veglën përmbys
 - shtypni levën A ndërsa tërhiqni rrëshqitësin B prapa
 - futni telin/gozhdën në mbajtëse C me kunjat e kthyera lart (kapaciteti maksimal 100 tela/80 gozhdë)
 - shtyjeni rrëshqitësin B drejt kokës së pajisjes D deri sa të zërë vend
 - kur futni një rresht gozhdësh (nuk janë të përfshira me pajisjen) anojeni pajisjen në një mënyrë të tillë që rreshti i gozhdëve të qëndrojë në anën e mbajtëses që korrespondon me simbolin e gozhdës në kokën e kapëses së tapicerisë D ⑦
 - ngarkojeni përsëri mbajtësen C kur shikoni fundin e rreshtit të telave ose gozhdëve në vrimë H ②
- Funksionimi i veglës ⑧
 - ndizni pajisjen duke shtyrë çelësin E në pozicionin "I"
 - shtyjeni fort kokën e kapëses D mbi materialin e punës deri sa të shtyhet plotësisht
 - shtyjeni pak çelësin F dhe më pas lëshojeni përsëri
- ! **gjatë punës, mbajeni gjithmonë veglën në zonën(at) e dorezës me ngjyrë gri**
 - fikni pajisjen duke shtyrë çelësin E në pozicionin "O"
- Kontrolli i goditjes ⑨
 - Me anë të rrotës G, niveli i goditjes që duhet mund të rregullohet gradualisht nga minimumi deri në maksimum (-/+)
 - "-" për materialet të holla dhe të lehta si fletë alumini dhe pëlhura
 - "+" për materialet të trasha dhe të ashpra si dru dhe mure të forta
 - para se të filloni një punë, gjeni nivelin optimal të goditjes duke e provuar në materialet për provë

KËSHILLË PËR PËRDORIMIN

- Mbërthimi i paneleve ⑩
- Fiksimi i tekstileve ⑪
- Për kapje në dru të fortë, përdorni tela më të shkurtër se telat e dhëna me pajisjen
- Shmangni goditjet boshe për të zvogëluar konsumin e elementit të goditjes
- Për më shumë këshilla, vizitoni www.skil.com

MIRËMBAJTJA / SHËRBIMI

- Kjo vegël nuk është e projektuar për përdorim profesional
- Mbajeni gjithmonë veglën dhe kordonin të pastër (veçanërisht të çarat e ajrosjes J ②)

! shkëputni spinën para pastrimit

- Nëse pajisja ka defekt pavarësisht kujdesit në prodhim dhe procedurat e provave, riparimi duhet të kryhet nga një qendër e shërbimit pas shitjes për veglat e punës të SKIL
 - dërgoni veglën të çmontuar së bashku me vërtetimin e blerjes te shitësi ose te qendra më e afërt e shërbimit e SKIL (adresat si dhe diagrami i shërbimit i veglës janë të paraqitura në www.skil.com)

MJEDISI

- **Mos i hidhni veglat elektrike, aksesorët dhe paketimin së bashku me materialet e mbeturinave familjare** (vetëm për vendet e BE-së)
 - në respektim të Direktivës evropiane 2012/19/EC për pajisjet elektrike dhe elektronike si mbetje dhe zbatimin e saj në përputhje me ligjet kombëtare, pajisjet elektrike që kanë arritur në fund të jetëgjatësisë së tyre duhet të mblidhen të ndara dhe të kthehen në një objekt riciklimi në përputhje me mjedisin.
 - simboli ⑤ do t'ju kujtojë për këtë gjë kur të jetë nevoja për t'i hedhur

ZHURMA / VIBRIMI

- E matur në përputhje me EN 60745, niveli i trysnisë së tingullit i kësaj pajisje është 84 dB(A) dhe niveli i fuqisë së tingullit 95 dB(A) (shmangia standarde: 3 dB) dhe vibrimi 7,0 m/s² (shuma vektor i tre drejtime; pasiguria K = 1,5 m/s²)
- Niveli i emetimit të vibrimit është matur në përputhje me një provë të standardizuar të dhënë në EN 60745; ajo mund të përdoret për të krahasuar një vegël me një tjetër dhe si një vlerësim paraprak i ekspozimit ndaj vibrimit kur përdorni pajisjen për proceset e përmendura
 - përdorimi i pajisjes për procese të ndryshme, ose me aksesorë të ndryshëm dhe të mirëmbajtur keq, mund të rritë ndjeshëm nivelin e ekspozimit
 - kohët kur pajisja është e fikur dhe kur është e ndezur por jo në punë, mund të zvogëlojnë ndjeshëm nivelin e ekspozimit
- ! **mbroni veten nga efektet e vibrimit duke mirëmbajtur pajisjen dhe aksesorët e saj, duke i mbajtur duart e ngrohta dhe duke organizuar mënyrën tuaj të punës**





- همیشه فرض را بر این بگذارید که مگننه یا میخ در ابزار هست (بی توجهی در کار با مگننه کوب باعث خروج غیرمنتظره مگننه یا میخ شده و می تواند جراحت ایجاد کند)
 - ابزار را به سمت خود یا هیچ کس دیگر در نزدیکی خود نگیرید (فشار داده شدن اتفاقی کلید دستگاه باعث خروج میخ یا مگننه شده و جراحت ایجاد خواهد کرد)
 - کار با ابزار را شروع نکنید مگر آنکه آثرا خیلی محکم و مطمئن روی قطعه کار قرار داده باشید (اگر ابزار با قطعه کار تماس نداشته باشد، امکان دارد میخ یا مگننه به جایی که می خواهید نخورد)
 - اگر میخ یا مگننه در ابزار گیر کرده است، منبع تغذیه ابزار را جدا کنید (اگر ابزار به منبع تغذیه وصل باشد و بخواهید میخ یا مگننه گیر کرده را خارج کنید امکان دارد ابزار اتفاقی به کار بیفتد)
 - هنگام خارج کردن میخ یا مگننه گیر کرده خیلی احتیاط کنید (امکان دارد مکانیسم ابزار فشرده شده باشد و اگر بخواهید میخ یا مگننه گیر کرده را بیرون بیاورید با فشار از مگننه کوب خارج شوند)
 - از این مگننه کوب برای محکم کردن سیم های برق استفاده نکنید (این ابزار برای نصب سیم های برق طراحی نشده و ممکن است به عایق سیم های برق آسیب برساند که در نتیجه خطر برق گرفتگی یا آتش سوزی را به دنبال خواهد داشت)
 - قطعه کاری را محکم کنید (اگر قطعه کاری را با گیره های جاری یا گیره های میزبازی ثابت کنید بسیار مطمئن تر از گرفتن آن با دست خواهد بود)
 - این ابزار نباید توسط افرادی (شامل کودکان) که توانایی های فیزیکی، حسسی یا روانی آنها محدود است، یا فاقد تجربه و دانش لازم هستند بکار برده شود
 - هیچوقت اجازه ندهید کودکان با ابزار بازی کنند
 - SKIL در صورتی که از متعلقات اصلی استفاده کنید عملکرد بدون مشکل ابزار را تضمین می نماید
 - همیشه مطمئن شوید که ولتاژ ورودی دستگاه برابر ولتاژی باشد که روی پلاک دستگاه نوشته شده است
 - پیچ ها، میخ ها و سایر اجزا دیگری می توانند به قطعه کاری شما آسیب بزنند؛ بنابراین پیش از شروع کار آنها را بردارید
 - در صورت بروز اشکالات برقی یا مکانیکی، فوراً ابزار را خاموش کرده و سیم برق آنرا از پریز بکشید
 - اگر سیم برق آسیب دیده یا بریده شده باشد، هرگز به سیم دست نزنید، اما فوراً آنرا از پریز بکشید
 - وقتی که سیم برق ابزار آسیب دیده هرگز از آن استفاده نکنید و از یک فرد متخصص بخواهید آنرا برای شما عوض کند
 - سیم های رابط برق باید کاملاً باز شده و ایمن باشند. از سیم هایی با رده بندی 11 آمپر
- شرح علائم و نمادهای روی ابزار**
- (1) پیش از کار حتماً دفترچه راهنما را مطالعه کنید
 - (2) عایق دوگانه (نیازی به سیم اتصال به زمین - ارت نیست)
 - (3) ابزار را همراه زباله های خانگی دور نیندازید
- استفاده**
- قرار دادن مگننه/میخ (1)
 - سیم برق را از برق جدا کنید/بکشید
 - ابزار را وارونه کنید
 - اهرم A را همزمان با عقب کشیدن کشویی B فشار دهید
 - نوار مگننه/میخ را بصورتی که پایه آنها به سمت بالا باشد در خشتاب C قرار دهید (حداکثر ظرفیت 100 مگننه 8/16 میخ است)
 - کشویی B را در مقابل سیم مگننه کوب D فشار دهید تا در جای خود قفل شود
 - هنگام قرار دادن یک نوار میخ (همراه ابزار ارائه نمی شود) ابزار را طوری کج کنید که نوار میخ در کنار آن سمت از خشتاب که با علامت میخ روی سر مگننه کوب D (V) متناظر است قرار گیرد
 - خشتاب C را زمانی پر کنید که انتهای نوار مگننه و یا میخ در دهانه منساحده شود (H)
 - کار کردن با ابزار (A)
 - ابزار را با فشار دادن کلید E به وضعیت «ا» روشن کنید
 - سر مگننه کوب D را محکم روی قطعه کاری فشار دهید تا اینکه کاملاً به داخل فرو رود
 - سوییچ F را خیلی کوتاه فشار داده سپس رها کنید

- **هنگام کار باید همیشه ابزار را از جا(های) دست خاکستری رنگ بگیرید**
 - ابزار را با فشار دادن کلید E به وضعیت «O» خاموش کنید
 - کنترل ضربه (9)
 - با کلید الکترونیک (دیمر) می توان میزان ضربه را بدون پله از حداقل تا حداکثر (- / +) تنظیم کرد
 - «-» (حداقل) برای مواد سبک مانند فویل و پارچه است
 - «+» (حداکثر) برای مواد ضخیم و محکم مانند چوب سفت و دیوار است
 - قبل از شروع کار، روی یک قطعه بردنخور آزمایش کنید تا میزان ضربه مناسب را تعیین کنید
- توصیه های کاربردی**
- نصب پاتل (1)
 - پارچه کشی (11)
 - برای مگننه کاری در چوب سخت از مگننه هایی استفاده کنید که کوتاه تر از مگننه های ارائه شده به همراه ابزار باشند
 - از خالی زدن خودردی کنید تا سایش ناشی از ضربه کاهش یابد
 - برای نکات بیشتر به www.skil.com مراجعه کنید

نگهداری / سرویس- خدمات

- این ابزار برای مصارف حرفه ای مناسب نیست
- همیشه ابزار و سیم برق را تمیز نگهدارید (بخصوص شیارهای تهویه J (12))
- **پیش از تمیز کردن سیم برق را از برق بکشید**
- اگر ابزار علیرغم تمام وقت و مراقبتی که در فرایندهای تولید و تست بکار برده شده از کار افتاد، تعمیرات باید فقط در مراکز خدمات پس از فروش ابزارهای برقی SKIL انجام شود.
- ابزار را بصورت یازشده همراه با رسید خرید به فروشنده یا نزدیک ترین مرکز خدمات رسانی SKIL بفرستید (آدرسها به همراه نمودار نقشه های سرویس ابزار در www.skil.com موجود است)

محیط زیست

- ابزارهای برقی، لوازم و متعلقات و بسته بندی آنها را نباید همراه با زباله های عادی خانگی دور انداخت (فقط مخصوص کشورهای عضو اتحادیه اروپا)
- با توجه به مصوبه اروپایی 2012/19/EC اروپا درباره لوازم برقی و الکترونیکی مستعمل و اجرای این مصوبه مطابق با قوانین کشوری، ابزارهای برقی که به پایان عمر مفید خود رسیده اند باید جداگانه جمع آوری شده و به یک مرکز بازیافت مناسب و سازگار با محیط زیست انتقال یابند
- نامعلامت (5) یادآور این مسئله در هنگام دور انداختن است

صدا / ارتعاشات

- اندازه گیری ها بر اساس استاندارد EN 10745 انجام و مشخص شد که میزان فشار صوتی این ابزار 85 دسی بل و میزان توان صوتی آن 95 دسی بل (با انحراف استاندارد 3؛ دسی بل). و میزان ارتعاشات 7.0 متر/مخزور ثانیه می باشد (جمع بردارهای سه جهت) K = 1.5 متر/مخزور ثانیه)
- میزان انتشار ارتعاشات بر اساس تست استاندارد شده ای که در EN 10745 معرفی شده است اندازه گیری گردید؛ از این ارقام می توان برای مقایسه یک ابزار با دیگری و بعنوان ارزیابی اولیه در معرض قرارگیری ارتعاشات هنگام کار با ابزار در کاربری های فوق استفاده کرد
- استفاده کردن از ابزار برای کاربردهای متفاوت، یا با لوازم و متعلقات متفاوت/تفرقه به لوازم و متعلقاتی که بد نگهداری شده اند، می تواند میزان در معرض قرارگیری را بطور قابل ملاحظه ای افزایش دهد
- مواقعی که ابزار خاموش است یا روشن است ولی کاری با آن انجام نمی شود، میزان در معرض قرارگیری بطور قابل توجهی کاهش می یابد
- **نگهداری مناسب از ابزار و لوازم و متعلقات آن، گرم نگهداشتن دست های خود، و سازمان دهی طرح های کاری می توانند خود را در برابر اثرات ارتعاش محافظت کنید**

اطلاعات فنی ۱

اجزای ابزار ۲

- A اهرم پر کردن خشاب
- B کشویی
- C خشاب
- D سر منگنه کوب
- E کلید روشن/خاموش
- F کلید استارت
- G کلید الکترونیک کنترل ضربه
- H نشانگر بارگذاری مجدد
- J شیارهای تهویه

ایمنی

راهنمای‌های ایمنی عمومی برای ابزارهای الکتریکی

⚠ تمامی هشدارهای ایمنی، دستورالعمل‌ها، تصاویر و مشخصات فنی ارائه شده همراه با این ابزار الکتریکی را مطالعه کنید. در صورت عدم رعایت تمام دستورالعمل‌های زیر خطر برق‌گرفتگی، آتش‌سوزی و/یا بروز جراحت شدید وجود خواهد داشت.

همه هشدارها و راهنمایی‌ها را برای استفاده آتی نگهداری کنید

. در این هشدارها عبارت «ابزار الکتریکی» به معنی ابزارهای الکتریکی فاقد باتری (با سیم برق) و یا ابزارهای الکتریکی باتری (شارژی) است.

۱) ایمنی محل کار

محل کار خود را تمیز، مرتب و مجهز به نور کافی نگهدارید. محیط کار نامرتب و کم نور می‌تواند باعث سوانح کاری شود.

با ابزار الکتریکی در محیط‌هایی که در آن خطر انفجار وجود داشته و حاوی مایعات، گازها و غبارهای محترقه باشد، کار نکنید. ابزارهای الکتریکی جرقه‌های ایجاد می‌کنند که می‌تواند باعث آتش‌گرفتن گرد و بخارهای موجود در هوا شوند.

ت) هنگام کار با ابزار الکتریکی، کودکان و سایر افراد را از دستگاه دور نگهدارید. در صورتیکه حواس شما پرت شود، ممکن است کنترل دستگاه از دست شما خارج شود.

۲) ایمنی الکتریکی

ا) دوشاخه ابزار الکتریکی باید با پریز برق تناسب داشته باشد. هیچ‌گونه تغییر در دوشاخه نهمید. میبل دوشاخه نباید همراه با ابزار الکتریکی دارای اتصال به زمین (ارت شده) استفاده شود. میبل دوشاخه نباید همراه با ابزار الکتریکی دارای اتصال به زمین (ارت شده) استفاده شود.

ب) از تماس بدنی با قطعات دارای سیم اتصال به زمین (ارت شده) مانند لوله، شوفاز، اجاق برقی و یخچال خود داری کنید. در صورتیکه بدن شما با سیم دارای اتصال به زمین (ارت شده) تماس پیدا کند، خطر برق‌گرفتگی بیشتر خواهد شد.

ت) دستگاه را از باران و رطوبت دور نگهدارید. نفوذ آب به ابزار الکتریکی، خطر شوک الکتریکی را افزایش می‌دهد.

ث) از سیم به درستی استفاده کنید. از سیم دستگاه برای کارهایی چون حمل ابزار الکتریکی، لوله‌کشی کردن آن و یا خارج کردن دوشاخه از برق استفاده نکنید. دستگاه را در مقابل حرارت، روغن، لیه‌های تیز و یخ‌ش‌های متحرک دستگاه دور نگاهدارید. کابل‌های آسیب‌دیده و یا گره‌خورده خطر شوک الکتریکی را افزایش می‌دهند.

ج) در صورتیکه با ابزار الکتریکی در محیط باز کار می‌کنید، تنها از کابل یا پتی استفاده کنید که برای محیط باز نیز مناسب باشد. کابل‌های رابط مناسب برای محیط باز، خطر برق‌گرفتگی را کم می‌کنند.

ح) در صورت لزوم کار با ابزار الکتریکی در محیط و اماکن مرطوب، در اینصورت باید از یک کلید حفاظتی جریان خطا و نشستی زمین (کلید قطع‌کننده اتصال یا زمین) استفاده کنید. استفاده از کلید حفاظتی جریان خطا و نشستی زمین خطر برق‌گرفتگی را کمتر می‌کند.

۳) رعایت ایمنی اشخاص

ا) حواس خود را خوب جمع کنید، به کار خود دقت کنید و با فکر و هوش کامل با ابزار الکتریکی کار کنید. در صورت خستگی و یا در صورتیکه مواد مخدر، الکل و دارو استفاده کرده‌اید، با ابزار الکتریکی کار نکنید. یک لحظه بی

توجهی هنگام کار با ابزار الکتریکی، می‌تواند جراحات‌های شدیدی به همراه داشته باشد.

ب) همواره از تجهیزات ایمنی شخصی استفاده کنید. همواره از عینک ایمنی استفاده کنید. استفاده از تجهیزات ایمنی مانند ماسک ایمنی، کفش‌های ایمنی ضد لغزش، کلاه ایمنی و گوشی ایمنی مناسب با نوع کار با ابزار الکتریکی، خطر مجروح شدن را تقلیل می‌دهد.

ت) مواظب باشید که ابزار الکتریکی بطور ناخواسته بکار نیفتد. قبل از وارد کردن دوشاخه دستگاه در پریز برق، اتصال آن به باتری، برداشتن آن و یا حمل دستگاه، باید دقت کنید که ابزار الکتریکی خاموش باشد. در صورتیکه هنگام حمل دستگاه انگشت شما روی دکمه قطع و وصل باشد و یا دستگاه را در حالت روشن به برق بزنید، ممکن است سوانح کاری پیش آید.

ث) قبل از روشن کردن ابزار الکتریکی، باید همه ابزارهای تنظیم‌کننده و آچارها را از روی دستگاه بردارید. ابزار آچارهایی که روی بخش‌های چرخنده دستگاه قرار دارند، می‌توانند باعث ایجاد جراحات شوند.

ج) بیش از حد به آنها نزدیک نشوید. برای کار جای مطمئنی برای خود انتخاب کرده و تعامل خود را همواره حفظ کنید. به این ترتیب می‌توانید ابزار الکتریکی را در وضعیت‌های غیر منظره بهتر تحت کنترل داشته باشید.

ح) لباس مناسب بپوشید. از پوشیدن لباس‌های فراخ و حمل زینت آلات خود داری کنید. موها، لباس و دستکش‌ها را از بخش‌های درحال چرخش دستگاه دور نگهدارید. لباس‌های فراخ، مو بلند و زینت آلات ممکن است در قسمت‌های درحال چرخش دستگاه گیر کنند.

خ) در صورتیکه می‌توانید وسایل مکش گرد و غبار و یا وسیله جذب زائده را در دستگیره نصب کنید، باید مطمئن شوید که این وسایل نصب و درست استفاده می‌شوند. استفاده از وسایل مکش گرد و غبار مصونیت شما را برابر گرد و غبار زیاد تر می‌کند.

د) اجازه ندهید آشنایی و تسلط حاصل از استفاده مکرر از ابزارها باعث شود احساس نیاز به رعایت قواعد نکرده و به قوانین ایمنی ابزار بی‌توجهی کنید. یک عمل از روی بی‌دقتی می‌تواند در کسری از ثانیه موجب جراحات شدید شود.

۴) استفاده صحیح از ابزار الکتریکی و مراقبت از آن
ا) از وارد کردن فشار زیاد روی دستگاه خود داری کنید. برای هر کاری، از ابزار الکتریکی مناسب با آن استفاده کنید. بکار گرفتن ابزار الکتریکی مناسب باعث می‌شود که بتوانید از توان دستگاه بهتر و با اطمینان بیشتر استفاده کنید.

ب) در صورت ایراد در کلید قطع و وصل ابزار برقی، از دستگاه استفاده نکنید. ابزار الکتریکی که نمی‌توان آنها را قطع و وصل کرد، خطرناک بوده و باید تعمیر شوند.

ت) قبل از تنظیم ابزار الکتریکی، تعویض متعلقات و یا کنار گذاشتن آن، دوشاخه را از برق کشیده و یا باتری آنرا خارج کنید. رعایت این اقدامات پیشگیری ایمنی از راه افتادن ناخواسته ابزار الکتریکی جلوگیری می‌کند.

ث) ابزار الکتریکی را در صورت عدم استفاده، از دسترس کودکان دور نگهدارید. اجازه ندهید که افراد ناآورد و یا اشخاصی که این دفترچه راهنما را نخوانده‌اند، با این دستگاه کار کنند. قرار گرفتن ابزار الکتریکی در دست افراد ناآورد و بی‌توجه خطرناک است.

ج) از ابزار الکتریکی خوب مراقبت کنید. مواظب باشید که قسمت‌های متحرک دستگاه خوب کار کرده و گیر نکنند. همچنین دقت کنید که قطعات ابزار الکتریکی شکسته و یا آسیب‌دیده نباشند. قطعات آسیب‌دیده را قبل از شروع به کار تعمیر کنید. علت بسیاری از سوانح کاری، عدم مراقبت کامل از ابزارهای الکتریکی می‌باشد.

ح) ابزار برش را تمیز و تمیز نگهدارید. ابزار برشی که خوب مراقبت شده و از لیه‌های تیز برخوردارند، کمتر رفته‌کار گیر کرده و بهتر قابل هدایت می‌باشند.

خ) از مطابق دستورالعمل‌های جزوه راهنما طوری به کار گیرید که با مدل این دستگاه تناسب داشته باشند. همچنین به شرایط کاری و نوع کار توجه کنید. کاربرد ابزار برقی برای موارد کاری که برای آن در نظر گرفته نشده است، می‌تواند شرایط خطرناکی را منجر شود.

د) دسته‌ها و سطوح دستگیره‌ها را خشک، تمیز و عاری از روغن و گریس نگه دارید. با دسته‌ها و سطوح دستگیره‌های لیز نمی‌توان در شرایط غیرمنظره‌طور ایمن با ابزار کار کرد و کنترل آنرا داشت

۵) سرویس

ا) برای تعمیر ابزار الکتریکی فقط به متخصصین حرفه‌ای رجوع کرده و از وسایل پدکی اصل استفاده کنید. این باعث خواهد شد که ایمنی دستگاه شما تضمین گردد.

- افتراض دائماً أن الأداة تحتوي على مثبتات (فالتعامل مع الدياسية بغير احتياطات قد يؤدي إلى انطلاق المثبتات على نحو غير متوقع وحدوث إصابة شخصية):
- لا توجه الأداة ناحيةك أو نحو أي شخص يوجد على مقربة (الإطلاق غير المتوقع سيؤدي إلى إطلاق المثبت مسبباً إصابة).
- لا تقم بتشغيل الأداة ما لم تكن موضوعة بثبات على قطعة العمل (إذا لم تكن الدياسية ملائمة لقطعة العمل، فقد ينحرف المثبت بعيداً عن هدفك):
- افصل الأداة عن مصدر الطاقة حين تعلق المثبتات بداخلها (فأثناء إزالة مثبت عالق، قد تنشط الدياسية عن غير قصد إذا كانت موصلة بالتيار الكهربائي):
- توخ الحذر عند إخراج مثبت عالق (فقد تكون الألية موجودة تحت ضغط كما قد ينطلق المثبت عنوة أثناء محاولة خريز وضع عالق):
- لا تستخدم هذه الدياسية لتثبيت كابلات كهربائية (فهي غير مصممة لتثبيت الكابلات الكهربائية، وقد تتسبب في إتلاف عزل كابلات كهربائية وبالتالي حدوث صدمة كهربائية أو مخاطر حدوث حريق):
- ثبت قطعة العمل (الإسماك) بقطعة عمل مثبتة بأجهزة تثبيت أو في ملزمة أكثر أمناً من مسكها باليد):
- لم يتم تصميم هذه الأداة للاستخدام بواسطة الأطفال والأشخاص الذين يعانون من نقص في القدرات البدنية أو الحسية أو العقلية أو الذين ليس لديهم الخبرة أو الدراية
- تأكد من أن الأطفال لا يعثون بالأداة:
- تضمن SKIL التشغيل السليم للأداة فقط عند استخدام الملحقات الأصلية:
- تأكد دائماً من أن الفولت الزود هو نفسه المشار اليه على اللوحة الخاصة بالأداة
- جنب التلف الذي قد تتسبب فيه البراغى والمسامير والعناصر الأخرى الموجودة في القطعة التي تعمل بها. قم بفكهم قبل بدء العمل:
- في حالة حدوث خلل كهربائي أو ميكانيكي، أوقف تشغيل الأداة فوراً وافصل القابس: في حالة تعرض السلك للتلف أو لقطع أثناء العمل، لا تلمس السلك وافصل القابس فوراً
- يحظر نهائياً استخدام الأداة في حالة تلف السلك، بل قم باستبداله من قبل أحد الأفراد المؤهلين
- استخدم أسلاك تمديد مفكوكة تماماً وأمنة سعة 16 أمبير (13 أمبير في بريطانيا العظمى)
- شرح الرموز الموجودة على الأداة
- قم بقراءة دليل الإرشادات قبل الاستخدام
- العمل المزودج (لا يلزم سلك أرضي)
- لا تتخلص من الأداة مع النفايات المنزلية:

الاستخدام

- تحميل المسامير مزودة السن/الأوتاد ①
- ! أفضل القابس:
- أقبل الأداة:
- اضغط على الذراع A مع سحب القطعة المنزلفة B إلى الخلف:
- أدخل حيز المسامير مزودة السن/الأوتاد في الحزّن C بحيث تكون القوائم موجّهة للامام (السعة القصوى 100 مسمار مزودج السن/ 80/ وندا):
- ادفع القطعة المنزلفة B مقابل رأس الدياسية D حتى تنفصل على نحو مطبق:
- عند إدخال حيز أوتاد (غير مرفق مع هذه الأداة)، قم بإمالة الدياسية على نحو يتيح سندا هذا الحيز على جانب الحزّن الذي يتوافق مع رمز الوجود على رأس الدياسية D (V):
- أعد تعبئة الحزّن C عند ظهور طرف حيز المسامير مزودة السن أو الأوتاد في الفتحة H ①
- تشغيل الأداة ②
- قم بتشغيل الأداة من خلال دفع المفتاح E إلى الوضع «+»:
- اضغط رأس الدياسية D على قطعة العمل بثبات حتى يتم ضغطها للمدخل بالكامل:
- اضغط قليلاً على المفتاح F ثم حرره مرة أخرى:
- ! أثناء العمل، امسك الأداة دائماً من منطقة (مناطق) المقبض رمادية اللون:
- أوقف تشغيل الأداة من خلال دفع المفتاح E في الوضع «-»:
- التحكم الصدمي ④
- باستخدام العجلة G يمكن ضبط المستوى الصدمي المطلوب على نحو غير متدرج من الحد الأدنى إلى الحد الأقصى (+ / -):
- تعبير «-» الحد الأدنى، عن المواد الرقيقة والخفيفة مثل الرقائق المعدنية والأقمشة:

- تعبير «+» الحد الأقصى عن المواد السميكة والصلبة مثل الأخشاب والجدران الصلبة:
- قبل البدء في إحدى المهام، تعرف على المستوى الصدمي المثالي بإجراء اختبار على إحدى المواد الإضافية:

توصيات الاستخدام

- تثبيت اللوحات ①
- تثبيت المنسوجات ②
- لتدبيس الحشب الصلب، استخدم مسامير مزودة السن أقصر من المسامير المرفقة مع الأداة:
- تجنب استخدام الدياسية في إطلاق طلفات فارغة عملاً على تقليل تآكل الإطلاق الصدمي:
- لمزيد من النصائح زور موقعنا www.skil.com

الصيانة / الخدمة

- لم يتم تصميم هذه الأداة للاستخدام الاحترافي:
- احرص دائماً على نظافة الأداة والسلك (وخصوصاً فتحات التهوية ل ①):
- ! أفضل القابس قبل التنظيف
- إذا تعذر تشغيل الأداة على الرغم من الحذر الشديد في إجراءات التصنيع والاختبار، فيجب القيام بالإصلاحات بواسطة مركز خدمة ما بعد البيع لأدوات الطاقة التابع لشركة SKIL:
- قم بإرسال الأداة بون تفكيكها بالإضافة إلى إثبات الشراء إلى البائع أو أقرب محطة خدمة (www.skil.com)

البيئة المحيطة

- لا تتخلص من الأدوات الكهربائية والملحقات ومواد التغليف مع النفايات المنزلية (الدول الإتحاد الأوروبي فقط):
- وفقاً للتوجيه الأوروبي 2012/19/EC حول نفايات المعدات الكهربائية والإلكترونية وتطبيقه بالتوافق مع القانون المحلي يجب جميع الأدوات الكهربائية منتهية الصلاحية بشكل منفصل وإرسالها إلى أحد منشآت إعادة التصنيع المتوافقة مع البيئة:
- سيذكرك الرمز ④ بهذا عند الحاجة إلى التخلص من أية أداة:

الضوضاء / الاهتزاز

- عند القياس بالتوافق مع EN ٦٠٧٤٥ يكون مستوى ضغط صوت هذه الأداة هو ٨٤ ديسيبل (أ) ومستوى طاقة الصوت ٩٥ ديسيبل (أ) (الانحراف المعياري ٣؛ ديسيبل، والاهتزاز: $V_{a,r} = 0,7$ م/ث، م مجموع المنحنيات بثلاثة: K غير مؤكد ١,٥ = م/ث^٢)
- تم قياس مستوى الاهتزازات بالتوافق مع الاختبار المعياري المحدد في EN ٦٠٧٤٥: K غير مؤكد ١,٥ = م/ث^٢)
- يمكن استخدامه لمقارنة أداة بأداة أخرى وكتقييم تمهيدي للتعرض للاهتزاز عند استخدام الأداة في التطبيقات الموضحة:
- قد يؤدي استخدام الأداة في تطبيقات مختلفة أو مع ملحقات مختلفة أو ذات صيانة رديئة إلى زيادة مستوى التعرض بصورة كبيرة:
- إن الفترة الزمنية التي يتم خلالها إيقاف تشغيل الأداة أو عندما تكون قيد التشغيل لكنها لا تؤدي أي مهام، تؤدي إلى تقليل مستوى التعرض بصورة كبيرة:
- ! قم بحماية نفسك من تأثيرات الاهتزاز من خلال صيانة الأداة وملحقاتها والحفاظ على يدك دافئتين وتنظيف أتمط العمل لديك:

FA

٨٢٠٠

مكثنه كوب

مقدمه

- اين ابرار براى مكثنه كوبى و ميخ زنى به مقوا، مواد عايق، پارچه، فويل، چرم و مواد مشابه روى سطوح چوبى و يا مواد مشابه چوب طراخى شده است
- اين ابرار براى وصل كردن پائى پائى هاى ديوارى و سقفى مناسب نيست
- اين ابرار براى مصارف حرفه اى مناسب نيست
- لطفاً ماى دفترچه راهنما را مطالعه كرده و نگهداريد ④

مقدمة

- هذه الأداة مخصصة لتدريس الورق المقوى مسامير مزودة السن ووزارت. إلى جانب عزل المواد والأقمشة والرفائق المعدنية والجلود والمواد المشابهة على أسطح الخشب أو المواد الشبيهة به.
- الأداة غير ملائمة لتنبيت ألواح الخائط والأسقف:
- لم يتم تصميم هذه الأداة للاستخدام الاحترافي:
- اقرأ دليل التعليمات هذا واحتفظ به ②

البيانات الفنية ①

مكونات الأداة ②

- A ذراع خميل الخرن
- B القطعة المنزلفة
- C الخرن
- D رأس الدياسة
- E مفتاح التشغيل/إيقاف
- F مفتاح التشغيل
- G عجلة خذبة التحكم الصدمي
- H مؤشر إعادة التعنية
- J فتحات التهوية

أمان

تحذيرات السلامة العامة للأداة الكهربائية

⚠ خذير اقرأ كل تحذيرات السلامة والتعليمات والأشكال الإيضاحية والمواصفات المرفقة مع هذه الأداة الكهربائية: فقد يؤدي الإخفاق في الالتزام بكل التعليمات المدرجة أدناه إلى التعرض لصدمة كهربائية وأو حريق وأو إصابة خطيرة:

احتفظ بكل التحذيرات للرجوع إليها في المستقبل

يشير المصطلح «الأداة الكهربائية» في التحذيرات إلى الأداة الكهربائية الخاصة بك التي تعمل بطاقة المأخذ الرئيسي (باستخدام سلك) أو بطاقة البطارية (بدون سلك):

1) الأمان بمكان الشغل

أ) حافظ على نظافة وحسن إضاءة مكان شغلك. الفوضى في مكان الشغل ومجالات العمل الغير مضافة قد تؤدي إلى حدوث الحوادث.

ب) لا تشغل بالعدة الكهربائية في محيط معرض لخطر الانفجار والذي تتوفر فيه السوائل أو الغازات أو الأبخرة القابلة للاشتعال العدد الكهربائية تشكل الشرر الذي قد يتطاير فيشعل الأبخرة والأبخرة.

ت) حافظ على بقاء الأطفال وغيرهم من الأشخاص على بعد عندما تستعمل الأداة الكهربائية: قد تفقد السيطرة على الجهاز عند النهي.

2) الأمان الكهربائي

أ) يجب أن يتلامس قبايس وصل الأداة الكهربائية مع المقبس. لا يجوز تغيير القبايس بأي حال من الأحوال. لا تستعمل القوايس الهائية مع العدد الكهربائية المؤرضة تأريض وقائي. تخضع القوايس التي لم يتم تغييرها والمقابس الملائمة من خطر الصدمات الكهربائية.

ب) تجنب ملامسة المسطوح المؤرضة كالأنايب وريادوات التدفئة والمدافئ أو البرادات بواسطة جسمك. يزداد خطر الصدمات الكهربائية عندما يكون جسمك مؤرض.

ت) أبعد الأداة الكهربائية عن الأمطار أو الرطوبة. يزداد خطر الصدمات الكهربائية إن تسرب الماء إلى داخل الأداة الكهربائية.

ث) يجب عدم إساءة استخدام الكابيل. لا تسمى استعمال الكابيل حمل الأداة الكهربائية أو لتعليقها أو لسحب القبايس من المقبس. حافظ على إبعاد الكابيل عن الحرارة والزيوت والحواف الحادة أو عن أجزاء الجهاز المتحركة. تزيد الكابلات التالفة أو المتشابكة من خطر الصدمات الكهربائية.

ج) استخدم فقط كابلات التعميد الصالحة للاستعمال الخارجي أيضا عندما تشغل بالعدة الكهربائية في الخلاء. بخفض استعمال كابيل تمديد مخصص للإستعمال الخارجي من خطر الصدمات الكهربائية.

ح) إن لم يكن بالإمكان عدم تشغيل الأداة الكهربائية في الأجواء الرطبة. فاستخدم مفتاح للوقاية من التيار المتردد. إن استخدام مفتاح للوقاية من التيار المتردد يقلل خطر الصدمات الكهربائية.

3) أمان الأشخاص

أ) كن يقظا وأنتبه إلى ما تفعله وقم بالعمل بواسطة الأداة الكهربائية بتعتل. لا تستخدم عدة كهربائية عندما تكون متعب أو عندما تكون تحت تأثير المخدرات أو الكحول أو الأدوية. عدم الإبتناء للحظة واحدة عند استخدام الأداة الكهربائية قد يؤدي إلى إصابة خطيرة.

ب) ارتد عتاد الوقاية الخاص. وارتد دائما نظارات واقية. يجب إرتداء عتاد الوقاية الخاص. كفتاح الوقاية من الغبار وأخذية الأمان الواقية من الإرتقاق والخذواقية الأذنين. حسب نوع واستعمال الأداة الكهربائية. من خطر الإصابة بجروح.

ت) تجنب التشغيل بشكل غير مقصود. تأكد من كون الأداة الكهربائية مطفأة قبل وصلها بإمداد التيار الكهربائي و/ أو بالمركم، وقيل رفعها أو حملها. إن كنت تضع إصبعك على المفتاح أثناء حمل الأداة الكهربائية أو إن وصلت الجهاز بالشبكة الكهربائية عندما يكون قيد التشغيل. فقد يؤدي ذلك إلى حدوث الحوادث.

ث) انزع عدد الضبط أو مفتاح الربط قبل تشغيل الأداة الكهربائية. قد تؤدي الأداة أو المفتاح المتواجد في جزء دوار من الجهاز إلى الإصابة بجروح.

ج) تجنب أوضاع الجسم غير الطبيعية. قف بأمان وحافظ على توازنك دائما. سيسمح لك ذلك من السيطرة على الجهاز بشكل أفضل في المواقف غير المتوقعة.

ح) ارتد ملابس مناسبة. لا ترتدي الثياب الفضفاضة أو الخلي. حافظ على إبقاء الشعر والثياب والقفازات على بعد عن أجزاء الجهاز المتحركة. قد تتشابك الثياب الفضفاضة والخلي والشعر الطويل بالأجزاء المتحركة.

خ) إن جاز تركيب جهاز شفط وجميع الغبار، فتأكد من أنها موصولة وبأنه يتم استخدامها بشكل سليم. قد يقلل استخدام تجهيزات لشفط الأبخرة من المخاطر الناتجة عن الأبخرة.

د) لا تدع اعتيادك على الاستخدام المتكرر للأدوات يسمح لك بتجاهل مبادئ سلامة الأداة: قد يتسبب الاستخدام بدون تكرار في حدوث إصابة بالغة في غضون ثواني:

4) حسن معاملة واستخدام العدد الكهربائية

أ) لا تطرف في خميل الجهاز: استخدم لتنفيذ أشغالك الأداة الكهربائية المخصصة لذلك. إنك تعمل بشكل أفضل وأكثر أمانا بواسطة الأداة الكهربائية الملائمة في مجال الأداء المذكور.

ب) لا تستخدم العدد الكهربائية إن كان مفتاح تشغيلها تالف. الأداة الكهربائية التي لم تعد تسمح بتشغيلها أو بإطافئها خطيرة ويجب أن يتم تصليحها.

ت) اسحب القبايس من المقبس و/ أو انزع المركم قبل ضبط الجهاز وقيل إستبدال التوابع أو قبل وضع الجهاز جانباً. تمنع إجراءات الاحتياط هذه تشغيل الأداة الكهربائية بشكل غير مقصود.

ث) احتفظ بالعدد الكهربائية التي لا يتم استخدامها بعيدا عن متال الأطفال. لا تسمح باستخدام الأداة الكهربائية لمن لا خبرة له أو لمن لم يقرأ تلك التعليمات. العدد الكهربائية خطيرة إن تم استخدامها من قبل أشخاص دون خبرة.

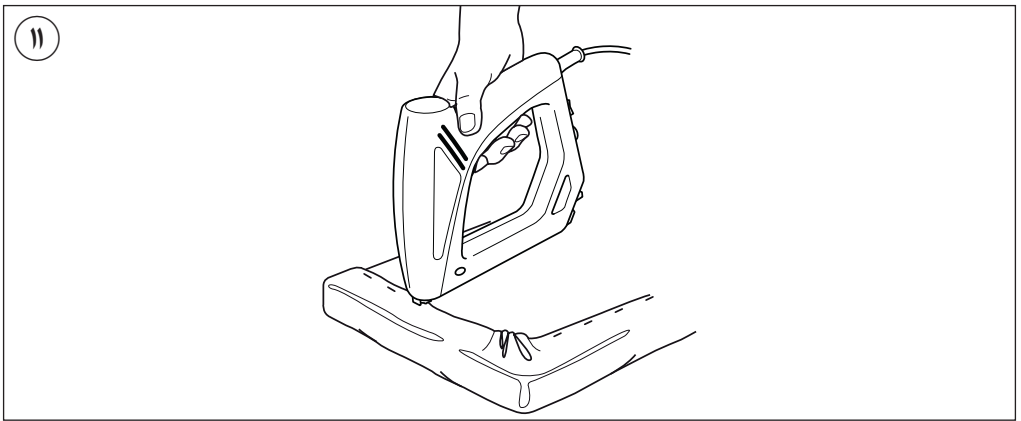
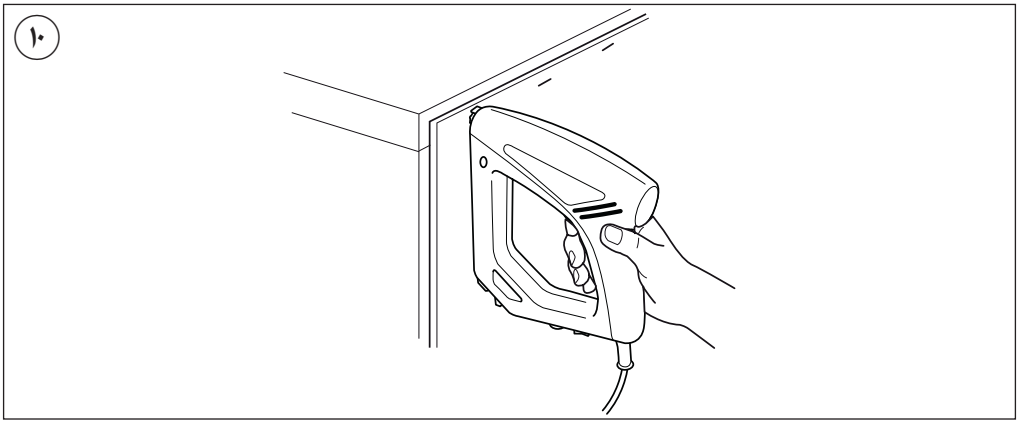
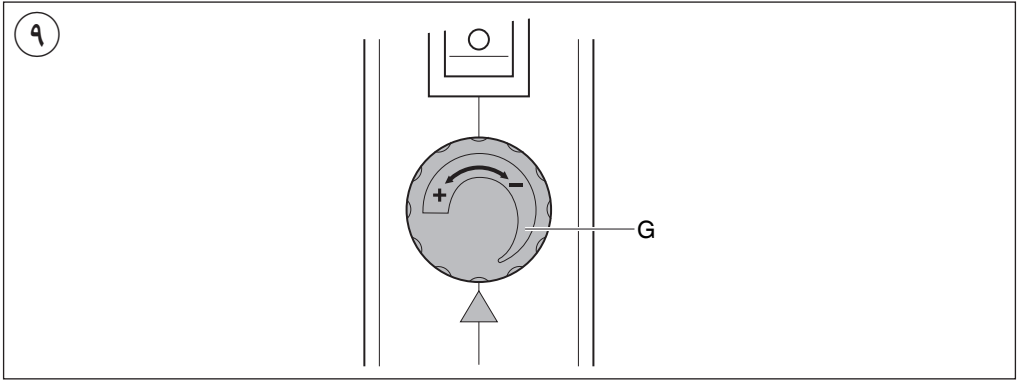
ج) حافظ بالعدة الكهربائية بشكل جيد. تفحص عما إذا كانت أجزاء الجهاز المتحركة تعمل بشكل سليم وبأنها غير مستعصبة عن الحركة أو إن كانت هناك أجزاء مكسورة أو تالفة لدرجة تؤثر فيها على حسن أداء الأداة الكهربائية. ينبغي تصليح هذه الأجزاء التالفة قبل إعادة تشغيل الجهاز.

ح) الكثير من الحوادث مصدرها العدد الكهربائية التي تم صيانتها بشكل ردي: حافظ على إبقاء عدد القطع نظيفة وحادة. إن عدد القطع ذات حواف القطع الحادة التي تم صيانتها بعناية تكليس بشكل أقل ويمكن توجيهها بشكل أيسر.

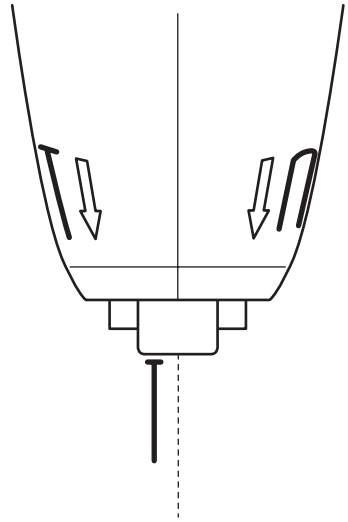
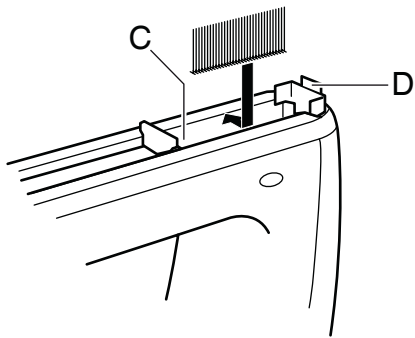
خ) استخدم العدد الكهربائية والتوابع وعدد التشغيل والرخ حسب هذه التعليمات تراعى أثناء ذلك شروط التشغيل والعمل المراد تنفيذها. استخدم العدد الكهربائية لغير الأشغال المخصصة لأجلها قد يؤدي إلى حدوث الحالات الخطيرة.

د) احرص على جفاف المقابض وأسطح الإمساك ونظافتها وخلوها من الزيت والشحوم: لا تسمح للمقابض وأسطح الإمساك الزلقة بالاستخدام والتحكم الآمن في الأداة في الحالات غير المتوقعة:

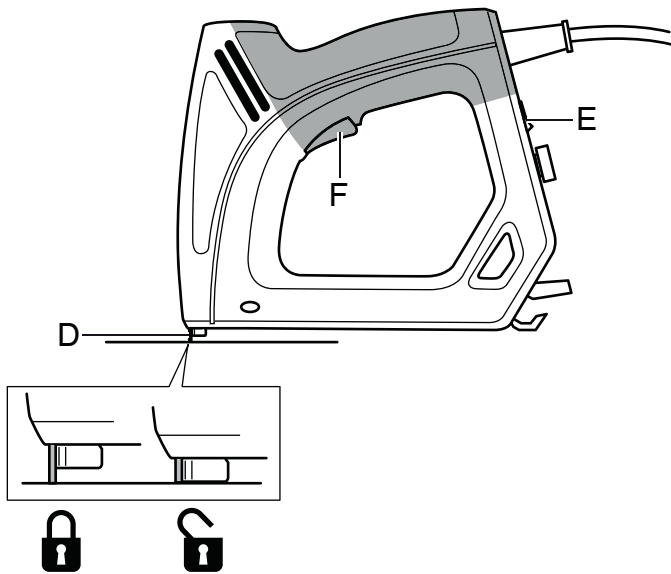
هـ) اسمح بتصليح عدتك الكهربائية فقط من قبل المتخصصين فقط باستخدام قطع الغيار الأصلية. يؤمن ذلك المحافظة على أمان الجهاز.



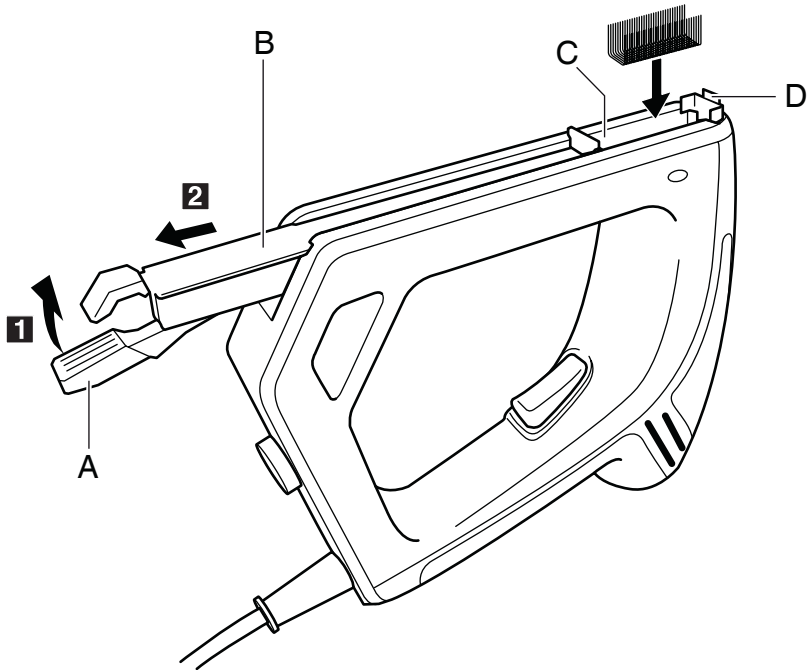
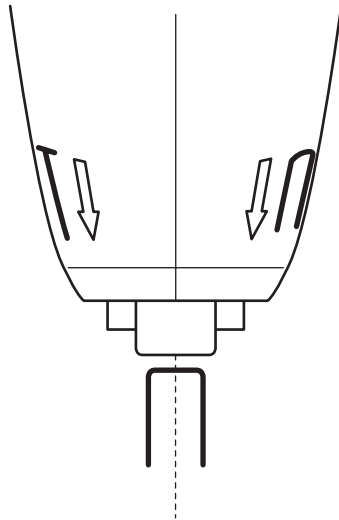
V



A

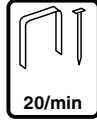
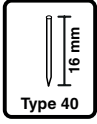
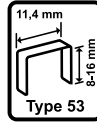
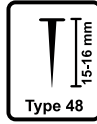
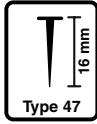
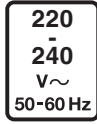


1

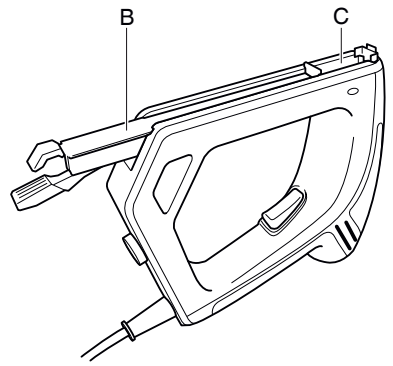
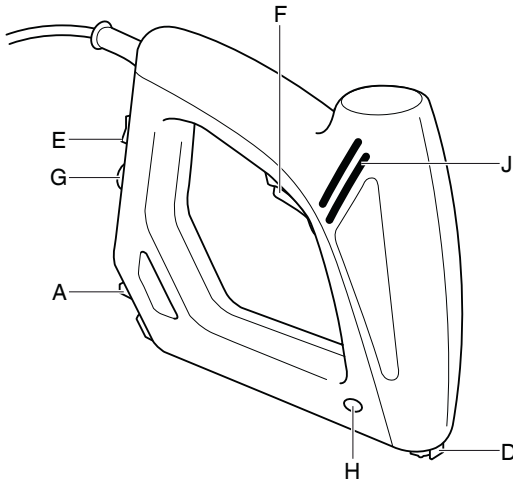


1

8200



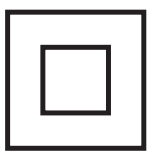
2



3



4



5



الدباسة
8200

SKIL®



دليل الاستعمال **AR**
راهنماي اصلي **FA**

